



MODEL: RGED Package Gas Electric Units

FORM NO. RSC-872 REV. 2

Sure Comfort® RGED Package Gas Electric Units



RGEDZT

- Nominal Sizes 7.5, 8.5, 10 & 12.5 Tons
- Standard VFD and optional Reheat Technology
- ASHRAE 90.1-2013 Compliant Models

RGEDZS

- Nominal Sizes 7.5, 8.5, 10 & 12.5 Tons
- Optional VFD and Reheat Technology
- ASHRAE 90.1-2007 Compliant Models
- ASHRAE 90.1-2013 Compliant Models

RGEDZR

- Nominal Sizes 7.5, 8.5 & 10 Tons
- ASHRAE 90.1-2007 Compliant Models



Table of Contents

Unit Features & Benefits	3-11
Model Number Identification	12
Options	13
Selection Procedure	14
General Data	
ZR series	15
ZS series	16
ZT series	17
Heating Performance Data	19
Gross Systems Performance Data	
ZR series.....	20-22
ZS series.....	23-26
ZT series.....	27-30
Reheat Gross Systems Performance Data	
ZS series.....	31-34
ZT series.....	35-38
Airflow Performance Data	39-54
Electrical Data	
ZR series.....	55-60
ZS series.....	61-67
ZT series.....	68-71
Dimensional Data	72-74
Field Installed Accessories.....	75-95
Guide Specifications	96-102
Limited Warranty	103



TIER COMPARISON

	Single-Stage Cooling	Two-Stage Cooling	2018 DOE Efficiency Standards Compliant	2023 DOE Efficiency Standards Compliant	VFD Technology	Reheat
RGEDZT		X	X	X	X	X (Optional)
RGEDZS		X	X		X (Optional)	X (Optional)
RGEDZR	X		X		Not Available	Not Available

RGED STANDARD FEATURES INCLUDE:

- Factory charged with R-410A HFC refrigerant
- Wired and run tested
- Scroll compressors with internal line break overload and high pressure protection
- Model RGEDZR has a single-stage compressor
- Models RGEDZS and RGEDZT have two-stage compressor
- Convertible airflow – vertical down flow or horizontal side flow
- Forkable base rails for easy handling and lifting
- Cooling operation up to 125°F ambient
- Two-stage gas heat input with direct spark ignition system, solid state furnace controls, and optimized induced draft combustion
- MicroChannel evaporator and condenser coil
- ServiceSmart package includes:
Qwik-Change Flex-Fit Rack™
Qwik-Slide Blower Assembly™
Qwik-Clean Drain Pan™
- Over-flow condensate sensor
- Diagnostics with Dual 7-Segment LED Display to meet code compliance
- One-piece top cover and base pan with drawn supply and return opening
- Two-piece control door
- ¼ turn fasteners on filter access door
- Color-coded and labeled wiring
- External lockable gauge ports
- TXV refrigerant metering system
- Solid-core liquid line filter drier
- High pressure and low pressure/loss of charge protection with built-in Smart Logic
- Insulation encapsulated throughout entire unit
- High performance belt drive motor with variable pitch pulleys and quick adjust belt system
- Variable Frequency Drive (VFD) blower is standard on Model RGEDZT and optional on model RGEDZS
- New product footprint with matching connections
- Improved factory lead times

FACTORY INSTALLED OPTIONS:

- Louvered panels
- Hinged access doors
- Stainless steel heat exchanger (20 year warranty)
- Reheat Dehumidification System (RGEDZT and RGEDZS Series only)
- Low ambient/freeze stat
- Powered convenience outlet
- Non-powered convenience outlet
- Unfused disconnect

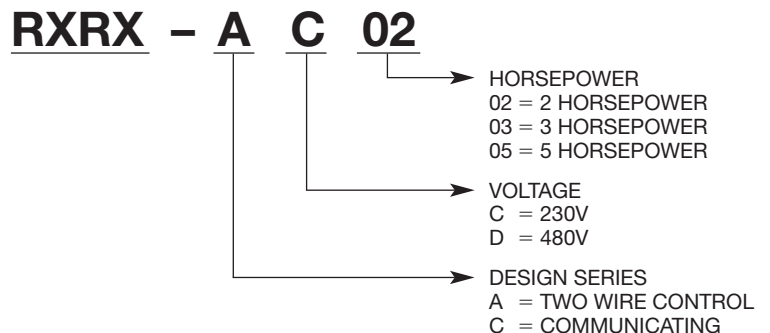
- Circuit breaker
- Economizer (Title 24 and ASHRAE 90.1 2013 compliant)
- Supply and return smoke detector
- Return smoke detector
- ElectroFin® E-Coat for Microchannel Condenser Coil Coating
- Direct Digital Control (DDC)
- Comfort Alert Phase-monitor Protection
- Vertical Economizer

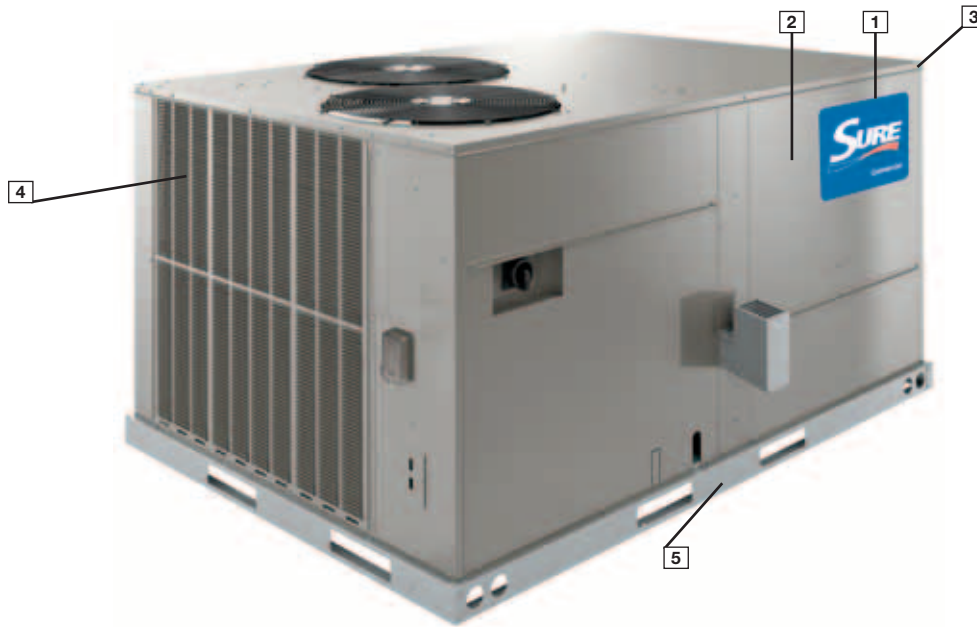
FIELD INSTALLED ACCESSORIES:

Accessory	Model Number	Factory Installation Available?
Economizer w/Single Enthalpy (Downflow)	RXRD-01MDDAM3	Yes
Economizer w/Single Enthalpy (Horizontal)	RXRD-01MDHAM3	No
Economizer-w/Single Enthalpy (Downflow) DDC	RXRD-01MDDBM3	Yes
Economizer w/Single Enthalpy (Horizontal) DDC	RXRD-01MDHBM3	No
Dual Enthalpy Kit	RXXR-BV01	No
Dual Enthalpy Kit DDC	RXXR-BV02	No
Carbon Dioxide Sensor (Wall Mount)	RXXR-AR02	No
Power Exhaust	RXXR-CDF01C	No
Power Exhaust	RXXR-CDF01D	No
Manual Fresh Air Damper	RXRF-ADA1	No
Motorized Fresh Air Damper	RXRF-ADB1	No
Motorized Fresh Air Damper (DDC)	RXRF-ADC1	No
Roofcurb, 14"	RXKG-DDD14	No
Roofcurb, 24"	RXKG-DDD24	No
Roofcurb Adapter	RXXR-DDCAE	No
Concentric Diffuser 7.5/8.5 Ton Flush	RXRN-AEF2000	No
Concentric Diffuser 10.0 Ton Flush	RXRN-AEF3415	No
Concentric Diffuser 12.5 Ton Flush	RXRN-AEF3618	No
Concentric Diffuser 7.5/8.5 Ton Drop	RXRN-AED2000	No
Concentric Diffuser 10.0 Ton Drop	RXRN-AED3415	No
Concentric Diffuser 12.5 Ton Drop	RXRN-AED3618	No
Concentric Adapter 7.5/8.5 Ton Drop	RXMC-DD01	No
Concentric Adapter 10 Ton Drop	RXMC-DD02	No
Concentric Adapter 12.5 Ton Drop	RXMC-DD03	No

Accessory	Model Number	Factory Installation Available?
Outdoor Coil Louver Kit - GED-090/102/120	RXXR-ADD04A	Yes
Outdoor Coil Louver Kit - GED-150	RXXR-ADD04B	Yes
Unwired Convenience Outlet	RXXR-BN01	Yes
Unfused Service Disconnect	RXXR-BP01	Yes
Comfort Alert (1 Per Compressor)	RXXR-AZ02	Yes
BACnet Communication Card	RXXR-AY01	No
LonWorks Communication Card	RXXR-AY02	No
Room Humidity Sensor	RHC-ZNS4	No
Room Temperature and Relative Humidity Sensor	RHC-ZNS5	No
Low-Ambient Control Kit	RXRZ-A04	Yes
Freeze Stat Kit	RXXR-AM01	Yes
LP Conversion Kit	RXGJ-FP39	No
Variable Frequency Drive Kit* <small>*See model number break down below</small>	RXXR-AC02	No
	RXXR-AC03	No
	RXXR-AC05	No
	RXXR-AD02	No
	RXXR-AD03	No
	RXXR-AD05	No
	RXXR-CC02	No
	RXXR-CC03	No
	RXXR-CC05	No
	RXXR-CD02	No
	RXXR-CD03	No
	RXXR-CD05	No

*Compatible with 1st generation "B" series units





Cabinet and Foundation

Outwardly, the large Sure Comfort label (1) identifies the brand to the customer. The sheet-metal cabinet (2) uses 18-gauge material for structural components with an underlying coat of G90. To ensure the leak-proof integrity of these units, the design utilizes a one-piece top with a 1/8" drip lip (3) as well as gasket-protected panels and screws. The Sure Comfort hail guard (optional) (4) sets the standard for coil protection in the industry. Electro deposition, baked-on enamel that is tested to withstand a rigorous 1000-hour salt spray test, per ASTM B117.

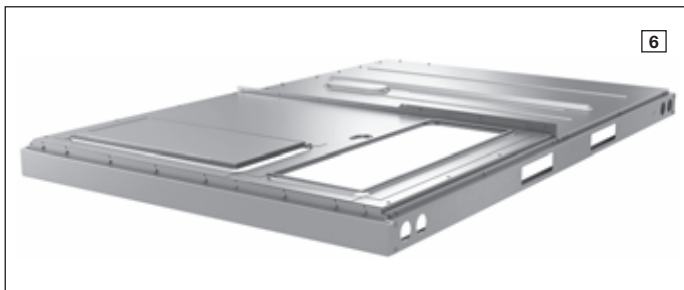
Anything built to last must start with the right foundation. Following that model, the foundation is comprised of 14-gauge, commercial-grade, full perimeter base rails (5) that integrate fork slots and rigging holes to save set-up time on the job site.

Easy Installation

The line features a new footprint that simplifies the replacement process by eliminating the need for a new curb adapter and being able to match inlet, outlet and electrical connections of the most common/industry-standard configurations.

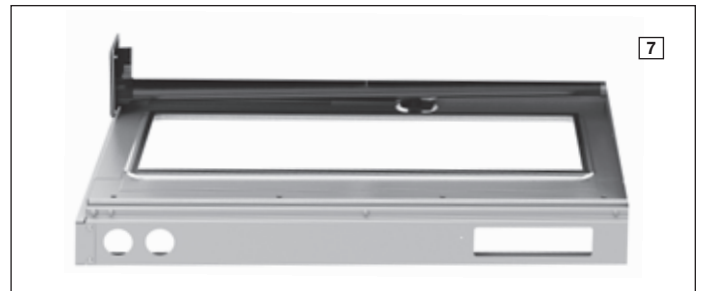
Base Pan

The base pan is stamped to form a 7/8" flange around the supply and return cover, which eliminates the worry of water entering the conditioned space (6). All insulation is secured with both adhesive and mechanical fasteners, and all edges are hidden.



Drain Pan

The Qwik-Clean Drain Pan™ (7) is made from a composite material that resists the growth of harmful bacteria. With both side and center drain options, the drain pan slides out completely for easy cleaning. It also features a standard overflow switch.



Test Standards

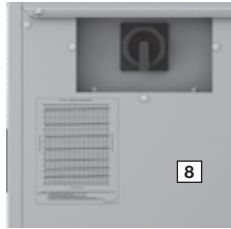
During development, each unit was tested to U.L. 1995, AHRI 340-360 as well as other Sure Comfort-required reliability tests. Sure Comfort adheres to stringent ISO 9002 quality procedures, and each unit bears the U.L. and AHRI certification labels located on the unit nameplate. Contractors can be assured that when a Sure Comfort package unit arrives at the job, it is ready to go with a factory charge and quality checks. Each unit also proudly displays the "Made in the USA" designation.

Easy Access

All major compartments are easily accessible from the front of the unit: the electrical compartment, blower compartment, heating section, and outdoor section. Each compartment has mechanical fasteners. Panels are permanently embossed with the compartment name (e.g. control/filter access, blower access, and electric heat access). The filter compartment is accessed through a large, mechanically fastened panel. Information is readily available on the outside of the panel, with a nameplate that contains the model and serial numbers, electrical data, and other important unit information. Hinged access is available as an option for the electrical, blower, and filter compartments.

Charging Charts, Wiring Diagrams, & Labels

The unit charging chart is located on the outside of the compressor access panel. Electrical wiring diagrams are found on the control box cover, which allows contractors to move them to more readable locations. The model and serial numbers are located on the right of the control box. Having this information on the inside means easier model identification for the life of the product. The production line quality test assurance label is also placed in this location (8).



8

Filter Rack

Located within the filter compartment, the Qwik-Change Flex-Fit Rack™ (9) allows easy changeover between 2" and 4" standard size and readily available filters.

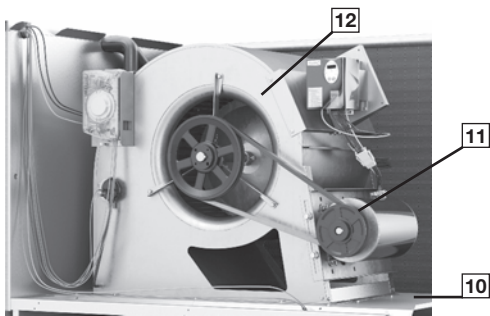


9

Blower Assembly

Removing three screws provides full access to the blower compartment. Inside, the Qwik-Slide Blower Assembly™ (10) is incredibly easy to access and remove. This makes servicing internal components such as blower motor, TXV, and microchannel coil much easier. The entire assembly slides out by removing the 3/8" screws from the blower retention bracket. The adjustable motor pulley (11) can easily be adjusted by loosening the bolts on either side of the motor mount. Removing the bolts allows for easy removal of the blower pulley by pushing the blower assembly up to loosen the belt. Once the pulley is removed, the motor sheave can be adjusted to the desired number of turns, ranging from 0 to 6 turns open.

Where the demands for the job require high static, Sure Comfort offers drives that deliver nominal airflow up to 2" of static. By referring to the airflow performance tables listed in the installation instructions, proper static pressure and CFM requirements can be dialed in. The scroll housing (12) and blower scroll provide quiet and efficient airflow. The blower sheave is secured by an "H" bushing that firmly secures the pulley to the blower shaft, resulting in years of trouble-free operation. The "H" bushing allows for easy removal of the blower pulley from the shaft. This is an improvement from a set screw, which can score the shaft and create burrs that make blower-pulley removal difficult.



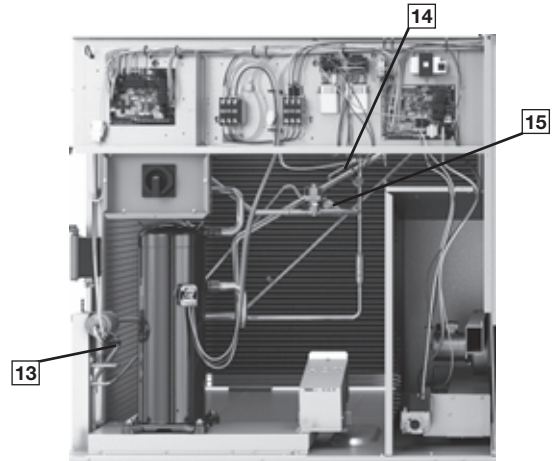
12

11

10

High and Low Pressure Switches & Freeze Stat

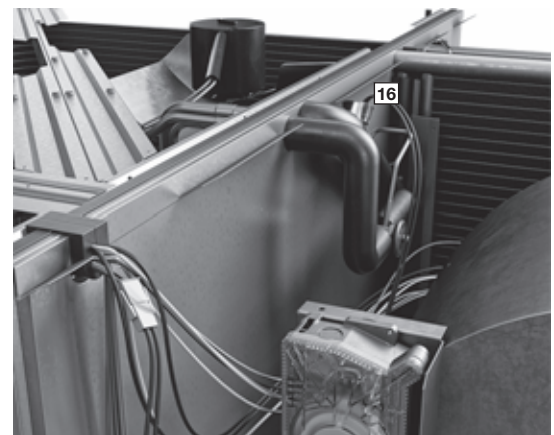
High pressure (13) and low pressure (14) switches are standard. They are located in the outdoor section along with the low-ambient control (15). The optional Freeze Stat (16) (standard on models with Direct Digital Control), is clipped onto the suction line in the blower compartment. The low ambient control allows the compressor to operate down to 0 degrees ambient temperature by cycling the outdoor fans on high pressure. The high-pressure switch shuts off the compressors if pressures exceeding 610 PSIG are detected. The low-pressure switch shuts off the compressors if low pressure is detected due to loss of charge. Built-in Smart Logic reduces nuisance calls by only shutting off compressors after the third detection. The freeze stat protects the compressor if the evaporator coil gets too cold (below freezing) due to low airflow.



13

14

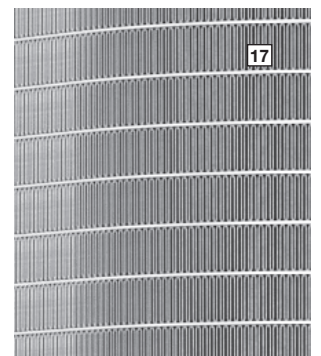
15



16

MicroChannel Evaporator & TXV

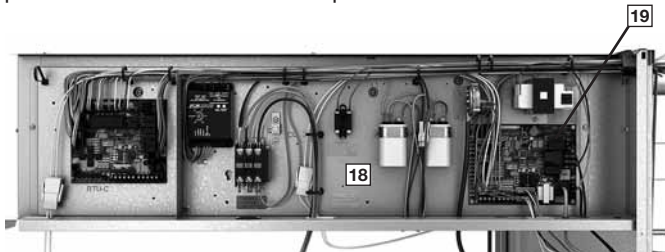
The Microchannel Evaporator (17) is accessible through the blower filter compartment, and through the filter rack, to simplify cleaning. The evaporator uses microchannel technology for maximum heat transfer, light weight, fewer manually brazed connections and reduced refrigerant charge. The TXV metering device maintains superheat over a wide range of varying temperatures optimizing unit performance for all conditions.



17

Control Box

Inside the control box (18), each electrical component is clearly labeled; that label matches the component to the wire diagram for ease of trouble shooting. All wiring is numbered on each end of the termination and is color-coded to match the wiring diagram. The integrated furnace control, incorporates the Diagnostics: Dual 7-Segment LED Display (19) with easy-to-understand fault codes. The control transformer has a low voltage circuit breaker that trips if an electrical short occurs. There is a blower contactor and compressor contactor for each compressor.



Direct Digital Control

The optional Direct Digital Control system consisting of a rooftop unit controller, temperature sensors, and pressure sensors, allows real-time monitoring and communication between rooftop units. The Rooftop Unit Controller (RTU-C) that is factory mounted and wired into the control panel. The RTU-C is a solid-state, microprocessor-based control board that provides flexible control and extensive diagnostics for all unit functions. The RTU-C, using proportional/integral control algorithms, performs specific unit functions that govern unit operation in response to zone conditions, system temperatures, system pressures, ambient conditions, and electrical inputs. The RTU-C features a 16 x 2 character LCD display and a five-button keypad for local configuration and direct diagnosis of the system (20). Features include a clogged filter switch (CFS), fan proving switch (FPS), return air temperature sensor (RAT), discharge air temperature sensor (DAT), and outdoor air temperature sensor (OAT). Freeze sensors (FS) are used in place of freeze stats to allow measurement of refrigerant suction line temperatures.

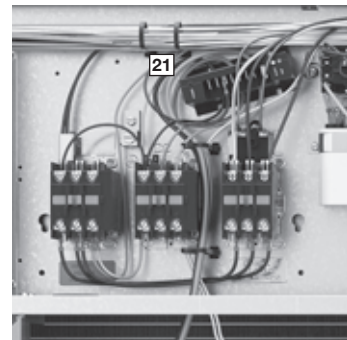


The RGED Gas Electric with the RTU-C is specifically designed to be applied in four distinct applications:

- 1. BACnet Communication** — The RGED is compatible with a third party building management system that supports the BACnet Application Specific Controller device profile, with the use of a field installed BACnet Communication Module. The BACnet Communication Module plugs onto the unit RTU-C controller and allows communication between the RTU-C and the BACnet MSTP network. A zone sensor, a BACnet network zone sensor, a BACnet thermostat, or DDC controller may be used to send the zone temperature or thermostat demands to the RTU-C. The BACnet Communication Module is compatible with MSTP EIA-485 daisy chain networks communicating at 38.4 bps. It is compatible with twisted pair, shielded cables.
- 2. LonWorks Communication** — The RGED is compatible with a third party building management system that supports the LonMark Space Comfort Controller (SCC) functional profile or LonMark Discharge Air Controller (DAC) functional profile. This is accomplished with a field installed LonMark communication module. The LonMark Communication Module plugs onto the RTU-C controller and allows communication between the RTU-C and a LonWorks network. A zone sensor, a LonTalk network zone sensor, or a LonTalk thermostat or DDC controller may be used to send the zone temperature or thermostat demands to the RTU-C. The LonMark Communication Module utilizes an FTT-10A free topology transceiver communicating at 78.8 kbps. It is compatible with Echelon qualified, twisted pair cable, Belden 8471, or NEMA Level 4 cables. The module can communicate up to 1640 feet with no repeater. The LonWorks limit of 64 nodes per segment applies to this device.
- 3. 24V Thermostat Compatibility** — The RGED is compatible with a programmable 24 volt thermostat. Connections are made via conventional thermostat screw terminals. Extensive unit status and diagnostics are displayed on the LCD screen of the RTU-C.
- 4. Zone Sensor Compatibility** — The RGED is compatible with a zone sensor and a mechanical or solid state time clock connected to the RTU-C. Extensive unit status and diagnostics are displayed on the LCD screen of the RTU-C.

ComfortAlert®

A factory or field installed Comfort Alert® (21) module is available for power phase-monitoring protection and additional compressor diagnostics. The alarms can be displayed on the RTU-C display, through the (BAS) network, or connected to the “L-Terminal” of a thermostat for notification.



Variable Frequency Drive

The supply fan Variable Frequency Drive (VFD) (22) optimizes energy usage year round by providing a lower speed for first stage cooling operation, improving IEER's over the conventional constant fan system. Operating in the constant fan mode at the reduced speed can use as little as 1/5 of the energy of a conventional constant fan system. Also, by operating at a lower speed on first stage cooling, up to 126% more moisture is removed, improving comfort during low load operation. VFD comes standard in ZT models and is a factory or field installed option in ZS models. The VFD supply fan factory option meets California Title 24 and ASHRAE 90.1-2016 requirements for multi blower speed control. VFD also ramps up to the desired speed, reducing stress on the supply fan components and noise from a sudden inrush of air. Because the airflow is cut in half during first stage cooling and constant fan operation, noise is much less during these modes of operation.



Convenience Outlet, Disconnect, & Circuit Breaker

For added convenience in the field, factory-installed options of powered and non-powered convenience outlet (23), disconnect (24) and circuit breakers are available. Low and high voltage can enter from the side or through the base. Low-voltage connections are made through the low-voltage terminal strip. For ease of access, the U.L.-required low voltage barrier can be temporarily removed for low-voltage termination and then reinstalled. The high-voltage connection is terminated at the number 1 compressor contactor. The suggested mounting for the field-installed disconnect or circuit breaker is on the exterior side of the electrical control box.



External Lockable Gauge Ports

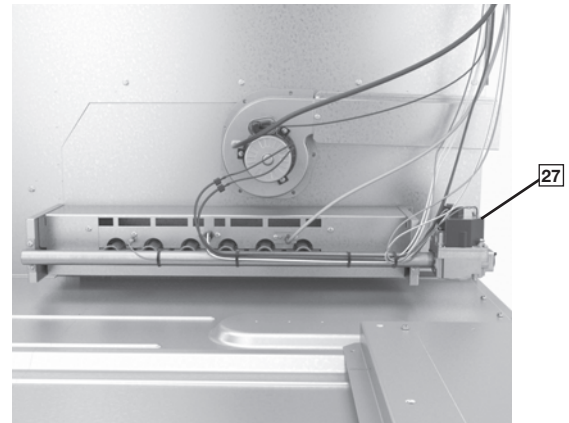
To the right left of the compressor compartment are the externally mounted lockable gauge ports. They are permanently identified by embossed lettering that identifies the compressor circuit, high pressure connection, (25) and low pressure connection (26). Because the gauge ports are mounted externally, an accurate diagnostic of system operation can be performed without removing access panels. Brass caps on the Schrader fitting ensure the gauge parts are leak proof.



Furnace & Gas Heat Exchanger

The furnace compartment contains the latest technology on the market. Each furnace is equipped with a two-stage gas valve (27) to provide two stages of gas heat input. The first stage operates at 70% of the second stage (full fire), 81% steady state efficiency is maintained. Stainless steel heat exchangers can be factory installed for those applications that have high fresh-air requirements or in applications with corrosive environments. The direct spark igniter (28) ensures reliable ignition in the most adverse conditions. This is coupled with remote flame sensor (29) so the flame is carried across the entire length of the burner assembly. Gas supply can be routed from the side or up through the base. Each furnace has the following safety devices to ensure consistent and reliable operation after ignition:

- Stainless steel heat exchanger warranty increases from 10 years to 20 years.
- Pressures switches to ensure adequate combustion airflow before ignition.
- Rollout switches to prevent obstruction or cracks in the heat exchanger.
- A limit device to protect the furnace from over-temperature problems.



Compressor

The compressor compartment houses the heart-beat of the unit. The scroll compressor (30) is known for its long life and for reliable, quiet, and efficient operation. The suction and discharge lines are designed with shock loops (31) to absorb the strain and stress that the starting torque, steady state operation, and shut-down cycle impose on the refrigerant tubing. ZS and ZT units have two stages of efficient cooling operation in which the first stage is approximately 50% of second stage. Each unit comes standard with a filter dryer.



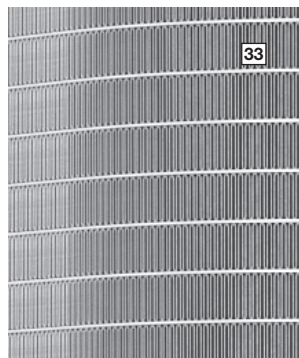
Condenser Fans

The condenser fan motors (32) can easily be accessed and maintained through the top of the unit. A down-mount fan provides corrosion protection and easy removal. The polarized plug connection allows the motor to be changed quickly and eliminates the need to snake wires through the unit.



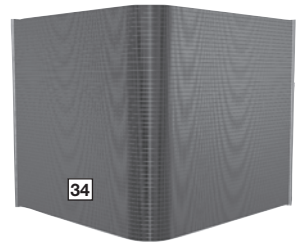
MicroChannel Condenser Technology

The outdoor coil uses the latest microchannel technology (33) for the most effective method of heat transfer. The outdoor coil is protected by optional louvered panels, which allow unobstructed airflow while protecting the unit from both the environment and vandalism.



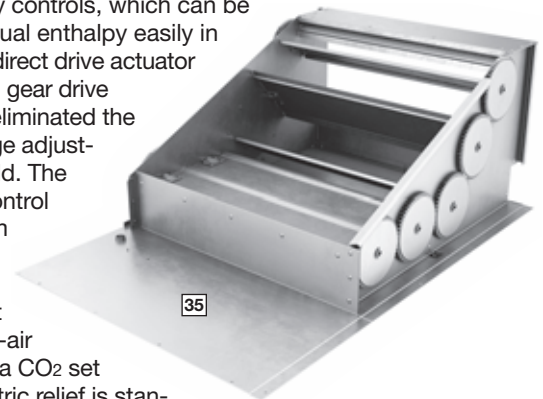
Coil Coating

Every unit offers the option of factory-applied ElectroFin® E-Coat condenser coating (34) that delivers superior corrosion resistance for outdoor coils to operate in the harshest of environments.



Economizer and Dampers

Each unit is designed for both down flow or horizontal applications (35) for job configuration flexibility. The return air compartment can also contain an economizer. Each unit is pre-wired for the economizer to allow quick, plug-in installation. Available as a factory-installed option, the economizer provides free cooling when outdoor conditions are suitable and also provides fresh air to meet local requirements. It comes standard with single enthalpy controls, which can be upgraded to dual enthalpy easily in the field. The direct drive actuator combined with gear drive dampers has eliminated the need for linkage adjustment in the field. The economizer control has a minimum position set point, an outdoor-air set point, a mixed-air set point, and a CO₂ set point. Barometric relief is standard on all economizers.



Power Exhaust is easily field-installed. The power exhaust is housed in the barometric relief opening and is easily slipped in with a plugin assembly. The wire harness to the economizer also has accommodations for a smoke detector.

The damper minimum position, actual damper position, power exhaust on/off set point, mixed air temperature limit set point, and Demand Controlled Ventilation (DCV) set point can be read and adjusted at the unit controller display or remotely through a network connection. The Space CO₂ level, mixed air temperature, and Economizer Status (free cooling available, single or dual enthalpy) can be read at the unit controller display or remotely through a network connection. Economizer faults will trigger a network alarm and can be read at the unit controller display or remotely through a network connection.

Roofcurb

The roofcurb (36) is made for tool-less assembly at the jobsite by engaging tabs in slots of adjacent curb sides, which makes the assembly process quick and easy.



REHEAT SYSTEM FEATURES

The Reheat dehumidification package unit solution delivers maximum humidity control without compromising desired temperature set point for a high degree of comfort. Reheat maintains humidity levels at a desired set point when there's little or no demand for air conditioning. The Reheat rooftop unit is controlled by a thermostat and humidistat. The thermostat takes priority on single-stage system. When the thermostat is activated by temperatures that exceed its set point, Reheat operates like a standard rooftop unit. It can operate on first stage cooling when demand is low or at full capacity when air conditioning load is high. Unlike other rooftop or reheat units, Reheat is uniquely designed so the VFD will operate at a low speed, increasing moisture removal during first-stage cooling operation. This provides initial defense for controlling humidity. When temperature is desirable but humidity exceeds the humidistat set point, the Reheat rooftop unit initiates a dehumidification cycle using a combination of hot gas and sub-cooled liquid reheat and the VFD operates at low speed. During this cycle, the Reheat rooftop unit delivers dry, neutral air. On a two-stage system, it is possible for both a thermostat and humidistat to register readings above set point. Under this condition, the system runs in the high stage dehumidification cycle, and the VFD operates on high speed. This provides dry conditioned air.

Figure 1 shows the refrigerant path during the normal cooling mode. The liquid refrigerant leaves the TXV with the sudden pressure drop causing the liquid to expand to a vapor and absorbing the heat from the supply air going through the evaporator coil. The refrigerant vapor then travels to the compressor where it is elevated to a higher pressure and temperature. The superheated refrigerant vapor next carries the heat to the outside coil where the heat is then rejected and the refrigerant condenses into a subcooled liquid where the process repeats itself.

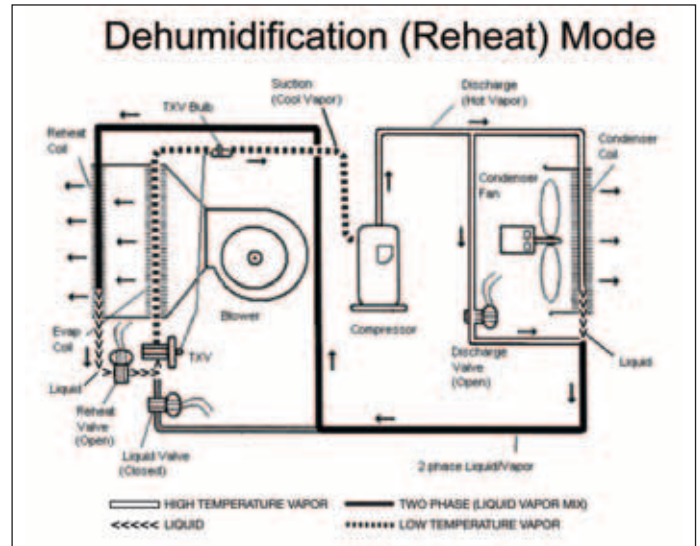
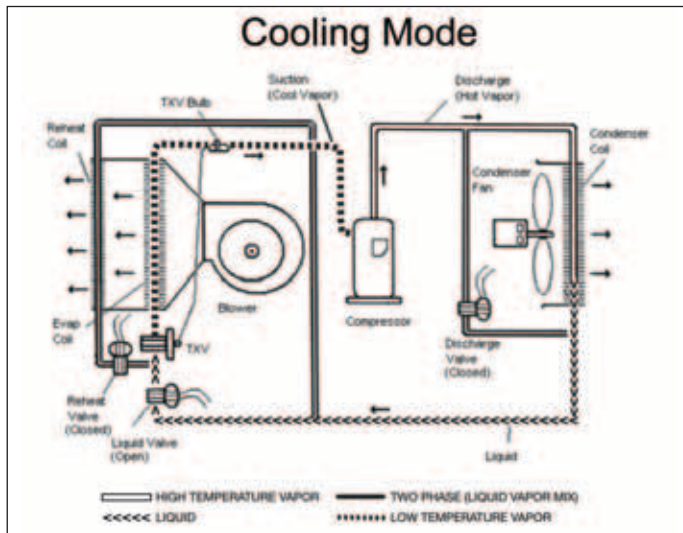


Figure 2 shows the refrigerant path during the reheat mode. When the reheat cycle is energized by the RTU-C, the reheat solenoid valve, downstream of the reheat coil, opens. The liquid solenoid valve, ahead of the TXV, closes. The discharge solenoid valve, in the compressor discharge line, opens. The liquid refrigerant leaves the TXV with the sudden pressure drop causing the liquid to expand to a vapor and absorbing the heat from the supply air going through the evaporator coil. The refrigerant vapor then travels to the compressor where it is elevated to a higher pressure and temperature. The refrigerant next carries the heat to a parallel path between the outside condenser coil and a bypass circuit. Some of the heat is rejected outdoors. The ratio of heat rejected outdoors versus indoors is controlled by an outdoor fan motor controller (OFMC) that monitors the two phase temperature and varies the fan speed. This 2-phase refrigerant vapor is then sent to the reheat coil. As the refrigerant travels through the reheat coil it condenses into a subcooled liquid where the process repeats itself.

R **GE** **D** **ZT** **090** **A** **C** **A** **15** **2** **A** **A** *******
1 **23** **4** **56** **789** **10** **11** **12** **13 14** **15** **16** **17** **18 19 20**

1 – Brand

R = Sure Comfort

2, 3 – Unit Type

GE = Package Gas Electric

4 – Cabinet Type

D = Medium Commercial

5, 6 – Series

ZT¹ = Tier 1

ZS² = Tier 2

ZR³ = Tier 3

7, 8, 9 – Capacity

090 = 7.5 ton

102 = 8.5 ton

120 = 10 ton

150 = 12.5 ton⁴

10 – Major series

A

11 – Voltage

C = 3 phase 208-230/60

D = 3 phase 460/60

Y = 3 phase 575/60

12 – Drive

A = belt low static

B = belt med static

C = belt high static

F = belt VFD low static

G = belt VFD med static

H = belt VFD high static

13, 14 – Heat Capacity

15 = 150k

20 = 205k⁵

22 = 225k⁶

15 – Heat Configuration

2 = 2 stage

B = 2 stage Stainless

16 – Control

A = Non communicating

B = Comfort Alert/Phase Monitor

C = Direct Digital Control

D = Direct Digital Control & Comfort Alert

17 – Minor series

A

18, 19, 20 – Option Code

See next page

Notes:

1. ZT Series – can only select VFD drives (F, G, H) in character 12
2. ZS Series – can select any of the drive options in character 12
3. ZR Series – can only select standard drives (A, B, C) in character 12
4. ZR Series not available for 12.5 ton models
5. 205k heat capacity can only be selected for 7.5 ton models
6. 225k heat capacity can only be selected for 8.5 to 12.5 ton models

FACTORY INSTALLED OPTION CODES FOR RGED (7.5 TO 12.5 TON)

18					19				20			
LV = Louver protection					LF = Low Ambient / Freeze Stat				EC = Economizer			
RH = Reheat ¹					PC = Powered Convenience Outlet—Coming Soon				SS = Supply and Return Smoke Detector			
HA = Hinged Access					NP = Non-powered Convenience Outlet				RS = Return Smoke Detector			
CC ² = Coil Coating					DC = Disconnect Switch							
					CB = Circuit Breaker—Coming Soon							
Option code character highlighted below					Option code character highlighted below				Option code character highlighted below			
A	None				A	None			0	None		
B	LV				B	LF			1	EC		
C	HA				C	NP			2	RS		
D	LV	HA			D	LF	NP		3	EC	RS	
E	LV	CC			E	DC			4	SS	RS	
F	LV	HA	CC		F	LF	DC		5	EC	SS	RS
G	RH				G	Future Use						
H	LV	RH			H	NP	DC					
J	RH	HA			J	Future Use						
K	LV	RH	CC		K	LF	NP	DC				
L	LV	RH	HA		L	CB						
M	LV	RH	HA	CC	M	LF	CB					
					N	PC	CB					
					P	NP	CB					
					Q	LF	PC	CB				
					R	LF	NP	CB				

¹Reheat option only available on units with F, G or H drives (VFD) and “C” or “D” control

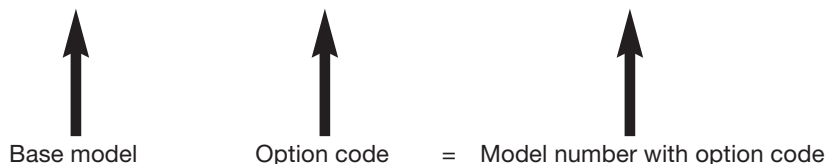
²CC—requires LV (louver protection)

Instructions for Factory Installed Option(s) Selection

Note: Three characters following the model number will be utilized to designate a factory-installed option or combination of options. If no factory option(s) is required, “AAO” follows the model number.

- **Step 1:** In the table above, based on the desired features, choose option code character from highlighted options on the left side under the number 18. For example, the option code character “E” has Louver protection and Coil Coating.
- **Step 2:** In the table above, based on the desired features, choose option code character from highlighted options on the left side under the number 19. For example, the option code character “F” has Low Ambient / Freeze Stat and Disconnect switch.
- **Step 3:** In the table above, based on the desired features, choose option code character from highlighted options on the left side under the number 20. For example, the option code character “3” has Economizer and Return Smoke.
- The resulting option code from examples above is: “EF3”
- **Step 4:** Add your option code selection to the end of model number

◦ Example: RGEDZR090ACC152AA EF3 = RGEDZR090ACC152AAEF3



To select an RGEDZ Cooling and Heating unit to meet a job requirement, follow this procedure, with example, using data supplied in this specification sheet.

1. DETERMINE COOLING AND HEATING REQUIREMENTS AND SPECIFIC OPERATING CONDITIONS FROM PLANS AND SPECS.

Example:

Voltage—	208/240V – 3 Phase
Total cooling capacity—	105,000 BTUH [30.77 kW]
Sensible cooling capacity—	90,000 BTUH [26.38 kW]
Heating capacity—	159,000 BTUH [46.60 kW]
*Condenser Entering Air—	95°F [35°C] DB
*Evaporator Mixed Air Entering—	65°F [18°C] WB; 78°F [26°C] DB
*Indoor Air Flow (vertical)—	3750 CFM [1770 L/s]
*External Static Pressure—	.70 in. WG

2. SELECT UNIT TO MEET COOLING REQUIREMENTS.

Since total cooling is within the range of a nominal 10 ton [35.2 kW] unit, enter cooling performance table at 95°F [35°C] DB condenser inlet air. Interpolate between 63°F [2°C] and 67°F [19°C] to determine total and sensible capacity and power input for 65°F [18°C] WB evap inlet air at 3750 CFM [1770 L/s] indoor air flow (table basis):

Total Capacity = 120,060 BTUH [35.2 kW]
Sensible Capacity = 101,350 BTUH [29.7 kW]
Power Input (Compressor and Cond. Fans) = 8,950 watts

Use formula $[1.10 \times \text{CFM} \times (1 - \text{DR}) \times (\text{dbE} - 80)]$ in note ① to determine sensible capacity at 80°F [26.7°C] DB evaporator entering air:

Sensible Capacity = 101,350 BTUH [29.7 kW]

3. CORRECT CAPACITIES OF STEP 2 FOR ACTUAL AIR FLOW.

Select factors from airflow correction table at 3700 & 3800 CFM, average data [1746.2 & 1793.4 L/s] and apply to data obtained in step 2 to obtain gross capacity:

Total Capacity, $120,060 \times .99 = 118,859$ BTUH [33.6 kW]
Sensible Capacity, $101,350 \times .95 = 96,283$ BTUH [28.2 kW]
Power Input $8,950 \times 1.0 = 8,950$ Watts

These are Gross Capacities, not corrected for blower motor heat or power.

4. DETERMINE BLOWER SPEED AND WATTS TO MEET SYSTEM DESIGN.

Enter Indoor Blower performance table at 3700 & 3800 CFM, average data [1746.2 & 1793.4 L/s]. Total ESP (external static pressure) per the spec of .70 in. includes the system duct and grilles. Add from the table “Component Air Resistance,” 0.08 for wet coil, for a total selection static pressure of .780 (.8) inches of water, and determine:

RPM = 835
WATTS = 1722
DRIVE = A (belt drive, low static)

5. CALCULATE INDOOR BLOWER BTUH HEAT EFFECT FROM MOTOR WATTS, STEP 4.

$$\text{BTUH} = 1,722 \times 3.412 = 5,875$$

6. CALCULATE NET COOLING CAPACITIES, EQUAL TO GROSS CAPACITY, STEP 3, MINUS INDOOR BLOWER MOTOR HEAT.

$$\text{Net Total Capacity} = 118,859 \text{ (step 3)} - 5,875 \text{ (step 5)} = 112,984 \text{ BTUH [33.1 kW]}$$

$$\text{Net Sensible Capacity} = 96,283 \text{ (step 3)} - 5,875 \text{ (step 5)} = 90,408 \text{ BTUH [26.5 kW]}$$

7. CALCULATE UNIT INPUT AND JOB EER.

$$\text{Total Power Input} = 8,950 \text{ (step 3)} + 5,875 \text{ (step 4)} = 10,672 \text{ Watts}$$

$$\text{EER} = \frac{\text{Net Total BTUH [kW] (step 6)}}{\text{Power Input, Watts (above)}} = \frac{112,984}{10,672} = 10.58$$

8. SELECT UNIT HEATING CAPACITY.

From Physical Data Table read that gas heating output (input rating x efficiency) is:

$$\text{Heating Capacity} = 159,000 \text{ BTUH [52.45 kW]}$$

Choose Model RGEDZS120ACA222AA

*NOTE: These operating conditions are typical of a commercial application in a 95°F/79°F [35°C/26°C] design area with indoor design of 76°F [24°C] DB and 50% RH and 10% ventilation air, with the unit roof mounted and centered on the zone it conditions by ducts.

[] Designates Metric Conversions

NOM. SIZES 7.5-12.5 TONS [26.4-44.0 kW] ASHRAE 90.1-2007 COMPLIANT MODELS

Model RGEDZR - Series	ZR090	ZR102	ZR120
Cooling Performance¹			
Gross Cooling Capacity Btu [kW]	88,000 [25.78]	99,000 [29.01]	118,000 [34.57]
EER/SEER ²	11/NA	11/NA	11/NA
Nominal CFM/AHRI Rated CFM [L/s]	3000/3175 [1416/1498]	3400/3200 [1604/1510]	4000/3480 [1888/1642]
AHRI Net Cooling Capacity Btu [kW]	85,000 [24.9]	96,000 [28.13]	114,000 [33.4]
Net Sensible Capacity Btu [kW]	62,700 [18.37]	68,300 [20.01]	80,600 [23.62]
Net Latent Capacity Btu [kW]	22,300 [6.53]	27,700 [8.12]	33,400 [9.79]
IEER ³	12.7	12.7	12.7
Net System Power kW	7.53	8.51	9.86
Compressor			
No./Type	1/Scroll	1/Scroll	1/Scroll
No. Stages	1	1	1
Outdoor Sound Rating (dB)⁴			
	88	88	88
Outdoor Coil - Fin Type			
Tube Type	Louvered	Louvered	Louvered
MicroChannel Depth in. [mm]	0.71 [18]	0.81 [20.6]	1 [25.4]
Face Area sq. ft. [sq. m]	25.4 [2.36]	25.6 [2.38]	25.6 [2.38]
Rows / FPI [FPcm]	1 / 23 [9]	1 / 23 [9]	1 / 23 [9]
Indoor Coil - Fin Type			
Tube Type	Louvered	Louvered	Louvered
MicroChannel Depth in. [mm]	1 [25.4]	1.26 [32]	1.26 [32]
Face Area sq. ft. [sq. m]	11 [1.02]	10.9 [1.01]	10.9 [1.01]
Rows / FPI [FPcm]	1 / 20 [8]	1 / 20 [8]	1 / 20 [8]
Refrigerant Control	TX Valves	TX Valves	TX Valves
Drain Connection No./Size in. [mm]	1/0.75 [19.05]	1/0.75 [19.05]	1/0.75 [19.05]
Outdoor Fan - Type			
No. Used/Diameter in. [mm]	Propeller 2/24 [609.6]	Propeller 2/24 [609.6]	Propeller 2/24 [609.6]
Drive Type/No. Speeds	Direct/1	Direct/1	Direct/1
CFM [L/s]	8000 [3775]	8000 [3775]	8500 [4011]
No. Motors/HP	2 at 1/5 HP	2 at 1/5 HP	2 at 1/3 HP
Motor RPM	820	820	1075
Indoor Fan - Type			
No. Used/Diameter in. [mm]	FC Centrifugal 1/15x15 [381x381]	FC Centrifugal 1/15x15 [381x381]	FC Centrifugal 1/15x15 [381x381]
Drive Type	Belt (Adjustable)	Belt (Adjustable)	Belt (Adjustable)
No. Speeds	Single	Single	Single
No. Motors	1	1	1
Motor RPM	1725	1725	1725
Motor Frame Size	56	56	56
Filter - Type			
Furnished	Disposable Yes	Disposable Yes	Disposable Yes
(NO.) Size Recommended in. [mm x mm x mm]	(4)2x20x20 [51x508x508]	(4)2x20x20 [51x508x508]	(4)2x20x20 [51x508x508]
Refrigerant Charge Oz. [g]			
	100 [2835]	117 [3317]	136 [3856]
Weights			
Net Weight lbs. [kg]	839 [381]	868 [394]	896 [406]
Ship Weight lbs. [kg]	878 [398]	907 [411]	935 [424]

See Page 18 for Notes.

[] Designates Metric Conversions

NOM. SIZES 7.5-12.5 TONS [26.4-44.0 kW] ASHRAE 90.1-2007* COMPLIANT MODELS

Model RGEDZS - Series	ZS090	ZS102	ZS120A	ZS150
Cooling Performance¹				
Gross Cooling Capacity Btu [kW]	88,000 [25.78]	99,000 [29.01]	118,000 [34.57]	148,000 [43.36]
EER/SEER ²	11/NA	11/NA	11/NA	10.8/NA
Nominal CFM/AHRI Rated CFM [L/s]	3000/3175 [1416/1498]	3400/3225 [1604/1522]	4000/3480 [1888/1642]	5000/3750 [2360/1770]
AHRI Net Cooling Capacity Btu [kW]	85,000 [24.9]	96,000 [28.13]	114,000 [33.4]	142,000 [41.61]
Net Sensible Capacity Btu [kW]	62,700 [18.37]	68,300 [20.01]	79,600 [23.32]	98,600 [28.89]
Net Latent Capacity Btu [kW]	22,300 [6.53]	27,700 [8.12]	34,400 [10.08]	43,400 [12.72]
IEER ³	12.7	12.7	12.7	12.2
Net System Power kW	7.35	7.35	9.83	13.69
Compressor				
No./Type	1/Scroll	1/Scroll	1/Scroll	2/Tandem Scroll
No. Stages	2	2	2	2
Outdoor Sound Rating (dB)⁴				
	88	88	88	88
Outdoor Coil - Fin Type				
Tube Type	Louvered	Louvered	Louvered	Louvered
MicroChannel Depth in. [mm]	MicroChannel	MicroChannel	MicroChannel	MicroChannel
Face Area sq. ft. [sq. m]	0.71 [18]	0.81 [20.6]	1 [25.4]	1 [25.4]
Rows / FPI [FPcm]	25.4 [2.36]	25.6 [2.38]	25.6 [2.38]	31.5 [2.93]
	1 / 23 [9]	1 / 23 [9]	1 / 23 [9]	1 / 23 [9]
Indoor Coil - Fin Type				
Tube Type	Louvered	Louvered	Louvered	Louvered
MicroChannel Depth in. [mm]	MicroChannel	MicroChannel	MicroChannel	MicroChannel
Face Area sq. ft. [sq. m]	1 [25.4]	1.26 [32]	1.26 [32]	1 [25.4]
Rows / FPI [FPcm]	11 [1.02]	10.9 [1.01]	10.9 [1.01]	13.8 [1.28]
Refrigerant Control	1 / 20 [8]	1 / 20 [8]	1 / 20 [8]	2 / 18 [7]
Drain Connection No./Size in. [mm]	TX Valves	TX Valves	TX Valves	TX Valves
	1/0.75 [19.05]	1/0.75 [19.05]	1/0.75 [19.05]	1/0.75 [19.05]
Outdoor Fan - Type				
No. Used/Diameter in. [mm]	Propeller	Propeller	Propeller	Propeller
Drive Type/No. Speeds	2/24 [609.6]	2/24 [609.6]	2/24 [609.6]	2/24 [609.6]
CFM [L/s]	Direct/1	Direct/1	Direct/1	Direct/1
No. Motors/HP	8000 [3775]	8000 [3775]	8500 [4011]	9000 [4247]
Motor RPM	2 at 1/5 HP	2 at 1/5 HP	2 at 1/3 HP	2 at 3/4 HP
	820	820	1075	1100
Indoor Fan - Type				
No. Used/Diameter in. [mm]	FC Centrifugal	FC Centrifugal	FC Centrifugal	FC Centrifugal
Drive Type	1/15x15 [381x381]	1/15x15 [381x381]	1/15x15 [381x381]	1/15x15 [381x381]
No. Speeds	Belt (Adjustable)	Belt (Adjustable)	Belt (Adjustable)	Belt (Adjustable)
No. Motors	Single	Single	Single	Single
Motor RPM	1	1	1	1
Motor Frame Size	1725	1725	1725	1725
	56	56	56	56
Filter - Type				
Furnished	Disposable	Disposable	Disposable	Disposable
(NO.) Size Recommended in. [mm x mm x mm]	Yes	Yes	Yes	Yes
	(4)2x20x20 [51x508x508]	(4)2x20x20 [51x508x508]	(4)2x20x20 [51x508x508]	(4)2x20x25 [51x508x635]
Refrigerant Charge Oz. [g]				
	100 [2835]	117 [3317]	136 [3856]	186 [5273]
Weights				
Net Weight lbs. [kg]	839 [381]	868 [394]	896 [406]	1094 [496]
Ship Weight lbs. [kg]	878 [398]	907 [411]	935 [424]	1133 [514]

See Page 18 for Notes.
²2013 with optional VFD

[] Designates Metric Conversions

NOM. SIZES 7.5-12.5 TONS [26.4-44.0 kW] ASHRAE 90.1-2013 COMPLIANT MODELS

Model RGEDZT - Series	ZT090	ZT102	ZT120	ZT150
Cooling Performance¹				
Gross Cooling Capacity Btu [kW]	88,000 [25.78]	99,000 [29.01]	118,000 [34.57]	148,000 [43.36]
EER/SEER ²	11/NA	11/NA	11/NA	10.8/NA
Nominal CFM/AHRI Rated CFM [L/s]	3000/3175 [1416/1498]	3400/3225 [1604/1522]	4000/3480 [1888/1642]	5000/3750 [2360/1770]
AHRI Net Cooling Capacity Btu [kW]	85,000 [24.9]	96,000 [28.13]	114,000 [33.4]	142,000 [41.61]
Net Sensible Capacity Btu [kW]	62,700 [18.37]	68,300 [20.01]	79,600 [23.32]	98,600 [28.89]
Net Latent Capacity Btu [kW]	22,300 [6.53]	27,700 [8.12]	34,400 [10.08]	43,400 [12.72]
IEER ³	14.6	14.6	14.6	14
Net System Power kW	7.35	7.35	9.83	13.69
Compressor				
No./Type	1/Scroll	1/Scroll	1/Scroll	2/Tandem Scroll
No. Stages	2	2	2	2
Outdoor Sound Rating (dB)⁴				
	88	88	88	88
Outdoor Coil - Fin Type				
Tube Type	Louvered	Louvered	Louvered	Louvered
MicroChannel Depth in. [mm]	MicroChannel	MicroChannel	MicroChannel	MicroChannel
Face Area sq. ft. [sq. m]	0.71 [18]	0.81 [20.6]	1 [25.4]	1 [25.4]
Rows / FPI [FPcm]	25.4 [2.36]	25.6 [2.38]	25.6 [2.38]	31.5 [2.93]
	1 / 23 [9]	1 / 23 [9]	1 / 23 [9]	1 / 23 [9]
Indoor Coil - Fin Type				
Tube Type	Louvered	Louvered	Louvered	Louvered
MicroChannel Depth in. [mm]	MicroChannel	MicroChannel	MicroChannel	MicroChannel
Face Area sq. ft. [sq. m]	1 [25.4]	1.26 [32]	1.26 [32]	1 [25.4]
Rows / FPI [FPcm]	11 [1.02]	10.9 [1.01]	10.9 [1.01]	13.8 [1.28]
	1 / 20 [8]	1 / 20 [8]	1 / 20 [8]	2 / 18 [7]
Refrigerant Control	TX Valves	TX Valves	TX Valves	TX Valves
Drain Connection No./Size in. [mm]	1/0.75 [19.05]	1/0.75 [19.05]	1/0.75 [19.05]	1/0.75 [19.05]
Outdoor Fan - Type				
No. Used/Diameter in. [mm]	Propeller	Propeller	Propeller	Propeller
Drive Type/No. Speeds	2/24 [609.6]	2/24 [609.6]	2/24 [609.6]	2/24 [609.6]
CFM [L/s]	Direct/1	Direct/1	Direct/1	Direct/1
No. Motors/HP	8000 [3775]	8000 [3775]	8500 [4011]	9000 [4247]
Motor RPM	2 at 1/5 HP	2 at 1/5 HP	2 at 1/3 HP	2 at 3/4 HP
	820	820	1075	1100
Indoor Fan - Type				
No. Used/Diameter in. [mm]	FC Centrifugal	FC Centrifugal	FC Centrifugal	FC Centrifugal
Drive Type	1/15x15 [381x381]	1/15x15 [381x381]	1/15x15 [381x381]	1/15x15 [381x381]
No. Speeds	Belt (Adjustable)	Belt (Adjustable)	Belt (Adjustable)	Belt (Adjustable)
No. Motors	Single	Single	Single	Single
Motor RPM	1	1	1	1
Motor Frame Size	1725	1725	1725	1725
	56	56	56	184
Filter - Type				
Furnished	Disposable	Disposable	Disposable	Disposable
(NO.) Size Recommended in. [mm x mm x mm]	Yes	Yes	Yes	Yes
	(4)2x20x20 [51x508x508]	(4)2x20x20 [51x508x508]	(4)2x20x20 [51x508x508]	(4)2x20x25 [51x508x635]
Refrigerant Charge Oz. [g]				
	117 [3317]	136 [3856]	186 [5273]	
Weights				
Net Weight lbs. [kg]	839 [381]	868 [394]	896 [406]	1094 [496]
Ship Weight lbs. [kg]	878 [398]	907 [411]	935 [424]	1133 [514]

See Page 18 for Notes.

[] Designates Metric Conversions

NOTES:

1. Cooling Performance is rated at 95° F ambient, 80° F entering dry bulb, 67° F entering wet bulb. Gross capacity does not include the effect of fan motor heat. AHRI capacity is net and includes the effect of fan motor heat. Units are suitable for operation to $\pm 20\%$ of nominal cfm. Units are certified in accordance with the Unitary Air Conditioner Equipment certification program, which is based on AHRI Standard 340/360.
2. EER and/or SEER are rated at AHRI conditions and in accordance with DOE test procedures.
3. Integrated Energy Efficiency Ratio (IEER) is rated in accordance with AHRI Standard 340/360.
4. Outdoor Sound Rating shown is tested in accordance with AHRI Standard 270.

RGED HEATING PERFORMANCE**

Model RGED**	Heating Input BTU [kW] (1st Stage / 2nd Stage)	Heating Output BTU [kW] (1st Stage / 2nd Stage)	Temperature Rise Range °F [°C] (1st Stage / 2nd Stage)	Steady State Efficiency (%)	No. Burners	No. Stages	Gas Connection Pipe Size in. [mm]
090A**15**A	105,000/150,000 [30.76/43.95]	85,050/121,500 [24.92/35.6]	10-40 [5.6-22.2] / 25-55 [13.9-30.6]	81	6	2	0.75 [19]
090A**20**A	143,000/205,000 [42.06/60.06]	116,200/166,050 [34.07/48.66]	20-50 [11.1-27.8] / 35-65 [19.4-36.1]	81	9	2	0.75 [19]
102A**15**A	105,000/150,000 [30.76/43.95]	85,050/121,500 [24.92/35.6]	5-35 [2.8-19.4] / 15-45 [8.3-25]	81	6	2	0.75 [19]
102A**22**A	157,500/225,000 [46.16/65.92]	127,500/182,250 [37.39/53.4]	15-45 [8.3-25] / 35-65 [19.4-36.1]	81	9	2	0.75 [19]
120A**15**A	105,000/150,000 [30.76/43.95]	85,050/121,500 [24.92/35.6]	10-40 [5.6-22.2] / 20-50 [11.1-27.8]	81	6	2	0.75 [19]
120A**22**A	157,500/225,000 [46.16/65.92]	127,500/182,250 [37.39/53.4]	15-45 [8.3-25] / 35-65 [19.4-36.1]	81	9	2	0.75 [19]
150A**15**A	105,000/150,000 [30.76/43.95]	85,050/121,500 [24.92/35.6]	5-35 [2.8-19.4] / 15-45 [8.3-25]	81	6	2	0.75 [19]
150A**22**A	157,500/225,000 [46.16/65.92]	127,500/182,250 [37.39/53.4]	10-40 [5.6-22.2] / 25-55 [13.9-30.6]	81	9	2	0.75 [19]

Heating Performance limit settings and rating data were established and approved under laboratory test conditions using American National Standard Institute standards. Ratings shown are for elevations up to 2000 feet. For elevations above 2000 feet, ratings should be reduced at the rate of 4% for each 1000 feet above sea level.

COOLING PERFORMANCE DATA — RGEDZR090A

wBE	ENTERING INDOOR AIR @ 80°F [26.7°C] dbE ①											
	71°F [21.7°C]		67°F [19.4°C]		63°F [17.2°C]		61°F [16.1°C]		59°F [15.0°C]			
	3600 [1699]	3175 [1498]	2400 [1133]	1133	3600 [1699]	3175 [1498]	2400 [1133]	1133	3600 [1699]	3175 [1498]	2400 [1133]	1133
DR ①	0.22	0.19	0.14	0.14	0.22	0.19	0.14	0.14	0.22	0.19	0.14	0.14
Total BTUH [kW]	112 [32.8]	109.4 [32.0]	104.5 [30.6]	98.3 [28.8]	100.6 [29.5]	98.2 [28.8]	93.8 [27.5]	92.5 [27.1]	99.2 [29.1]	96.8 [28.4]	92.5 [27.1]	92 [27.0]
Sens BTUH [kW]	65.8 [19.3]	62 [18.2]	54.9 [16.1]	65 [19.0]	89.8 [26.3]	84.5 [24.8]	74.9 [21.9]	79.7 [23.4]	95.5 [28.0]	89.9 [26.4]	79.7 [23.4]	84.3 [24.7]
Power	4.7	4.6	4.5	4.5	4.6	4.5	4.4	4.4	4.5	4.5	4.4	4.4
Total BTUH [kW]	108.6 [31.8]	106.1 [31.1]	101.3 [29.7]	95.1 [27.9]	97.2 [28.5]	94.9 [27.8]	90.7 [26.6]	89.4 [26.2]	95.8 [28.1]	93.5 [27.4]	89.4 [26.2]	88.8 [26.0]
Sens BTUH [kW]	64.1 [18.8]	60.3 [17.7]	53.4 [15.7]	63.5 [18.6]	88 [25.8]	82.9 [24.3]	73.4 [21.6]	78.2 [22.9]	93.8 [27.5]	88.3 [25.9]	78.2 [22.9]	82.8 [24.3]
Power	5.1	5	4.9	4.8	5	4.9	4.8	4.8	4.9	4.9	4.8	4.7
Total BTUH [kW]	105.2 [30.8]	102.7 [30.1]	98.1 [28.8]	91.9 [26.9]	93.8 [27.5]	91.5 [26.8]	87.5 [25.6]	86.2 [25.2]	92.3 [27.1]	90.2 [26.4]	86.2 [25.2]	85.6 [25.1]
Sens BTUH [kW]	62.3 [18.3]	58.7 [17.2]	52 [15.2]	62.1 [18.2]	86.3 [25.3]	81.2 [23.8]	72 [21.1]	76.7 [22.5]	92 [27.0]	86.6 [25.4]	76.7 [22.5]	81.3 [23.8]
Power	5.5	5.5	5.3	5.3	5.4	5.3	5.2	5.2	5.4	5.3	5.2	5.2
Total BTUH [kW]	101.7 [29.8]	99.3 [29.1]	94.9 [27.8]	88.7 [26.0]	90.3 [26.5]	88.1 [25.8]	84.2 [24.7]	82.9 [24.3]	88.9 [26.0]	86.8 [25.4]	82.9 [24.3]	82.4 [24.1]
Sens BTUH [kW]	60.6 [17.8]	57 [16.7]	50.5 [14.8]	60.6 [17.8]	84.6 [24.8]	79.6 [23.3]	70.5 [20.7]	75.3 [22.1]	88.9 [26.0]	85 [24.9]	75.3 [22.1]	79.9 [23.4]
Power	6.1	6	5.9	5.8	5.9	5.9	5.7	5.7	5.9	5.8	5.7	5.7
Total BTUH [kW]	98.2 [28.8]	95.9 [28.1]	91.6 [26.9]	85.4 [25.0]	86.8 [25.4]	84.7 [24.8]	81 [23.7]	79.6 [23.3]	85.4 [25.0]	83.3 [24.4]	79.6 [23.3]	79.1 [23.2]
Sens BTUH [kW]	58.9 [17.3]	55.4 [16.2]	49.1 [14.4]	59.2 [17.3]	82.8 [24.3]	78 [22.8]	69.1 [20.2]	73.9 [21.6]	85.4 [25.0]	83.3 [24.4]	73.9 [21.6]	78.5 [23.0]
Power	6.7	6.6	6.5	6.4	6.6	6.5	6.3	6.3	6.5	6.5	6.3	6.3
Total BTUH [kW]	94.7 [27.7]	92.4 [27.1]	88.3 [25.9]	82.1 [24.1]	83.2 [24.4]	81.3 [23.8]	77.6 [22.8]	76.3 [22.4]	81.8 [24.0]	79.9 [23.4]	76.3 [22.4]	75.8 [22.2]
Sens BTUH [kW]	57.2 [16.8]	53.8 [15.8]	47.7 [14.0]	57.3 [16.9]	81.1 [23.8]	76.4 [22.4]	67.7 [19.8]	72.5 [21.2]	81.8 [24.0]	79.9 [23.4]	72.5 [21.2]	75.8 [22.2]
Power	7.4	7.3	7.1	7.1	7.2	7.2	7	7	7.2	7.1	7	7
Total BTUH [kW]	91.1 [26.7]	88.9 [26.1]	85 [24.9]	78.8 [23.1]	79.7 [23.3]	77.8 [22.8]	74.3 [21.8]	73 [21.4]	78.2 [22.9]	76.4 [22.4]	73 [21.4]	72.5 [21.2]
Sens BTUH [kW]	55.5 [16.3]	52.2 [15.3]	46.3 [13.6]	56.4 [16.5]	79.5 [23.3]	74.8 [21.9]	66.3 [19.4]	71.1 [20.8]	78.2 [22.9]	76.4 [22.4]	71.1 [20.8]	72.5 [21.2]
Power	8.1	8	7.9	7.8	8	8	7.8	7.7	8	7.9	7.7	7.7
Total BTUH [kW]	87.5 [25.6]	85.4 [25.0]	81.6 [23.9]	75.4 [22.1]	76 [22.3]	74.2 [21.8]	70.9 [20.8]	69.6 [20.4]	74.6 [21.9]	72.9 [21.3]	69.6 [20.4]	69.1 [20.3]
Sens BTUH [kW]	53.8 [15.8]	50.7 [14.8]	44.9 [13.2]	55 [16.1]	76 [22.3]	73.2 [21.5]	64.9 [19.0]	69.6 [20.4]	74.6 [21.9]	72.9 [21.3]	69.6 [20.4]	69.1 [20.3]
Power	9	8.9	8.7	8.6	8.9	8.8	8.6	8.5	8.8	8.7	8.5	8.5
Total BTUH [kW]	83.8 [24.6]	81.8 [24.0]	78.2 [22.9]	72.2 [21.1]	72.4 [21.2]	70.7 [20.7]	67.5 [19.8]	66.2 [19.4]	71 [20.8]	69.3 [20.3]	66.2 [19.4]	65.7 [19.3]
Sens BTUH [kW]	52.2 [15.3]	49.1 [14.4]	43.5 [12.8]	53.6 [15.7]	72.4 [21.2]	70.7 [20.7]	63.5 [18.6]	68.2 [19.4]	71 [20.8]	69.3 [20.3]	66.2 [19.4]	65.7 [19.3]
Power	9.9	9.8	9.6	9.5	9.8	9.7	9.5	9.4	9.8	9.6	9.4	9.4
Total BTUH [kW]	80.1 [23.5]	78.2 [22.9]	74.8 [21.9]	68.5 [20.1]	68.7 [20.1]	67.1 [19.6]	64.1 [18.8]	62.8 [18.4]	67.3 [19.7]	65.7 [19.2]	62.8 [18.4]	62.3 [18.2]
Sens BTUH [kW]	50.6 [14.8]	47.6 [14.0]	42.2 [12.4]	52.3 [15.3]	68.7 [20.1]	67.1 [19.6]	62.2 [18.2]	66.8 [18.4]	67.3 [19.7]	65.7 [19.2]	62.8 [18.4]	62.3 [18.2]
Power	10.9	10.8	10.5	10.5	10.8	10.7	10.4	10.4	10.7	10.6	10.4	10.4
Total BTUH [kW]	76.4 [22.4]	74.6 [21.9]	71.3 [20.9]	65.1 [19.1]	65 [19.0]	63.4 [18.6]	60.6 [17.8]	59.3 [17.4]	63.5 [18.6]	62 [18.2]	59.3 [17.4]	58.8 [17.2]
Sens BTUH [kW]	49 [14.4]	46.1 [13.5]	40.8 [12.0]	50.9 [14.9]	65 [19.0]	63.4 [18.6]	60.6 [17.8]	59.3 [17.4]	63.5 [18.6]	62 [18.2]	59.3 [17.4]	58.8 [17.2]
Power	12	11.8	11.6	11.5	11.9	11.7	11.5	11.4	11.8	11.7	11.4	11.4

DR —Depression ratio
 dbE —Entering air dry bulb
 wBE —Entering air wet bulb

Total —Total capacity x 1000 BTUH
 Sens —Sensible capacity x 1000 BTUH
 Power —KW input

NOTES: ① When the entering air dry bulb is other than 80°F [27°C], adjust the sensible capacity from the table by adding [(1.10 x CFM x (1 - DR) x (dbE - 80))].

[] Designates Metric Conversions

COOLING PERFORMANCE DATA — RGEDZR102A

wBE		ENTERING INDOOR AIR @ 80°F [26.7°C] dbE ①														
		71°F [21.7°C]			67°F [19.4°C]			63°F [17.2°C]			61°F [16.1°C]			59°F [15.0°C]		
		4100 [1935]	3200 [1510]	2700 [1274]	4100 [1935]	3200 [1510]	2700 [1274]	4100 [1935]	3200 [1510]	2700 [1274]	4100 [1935]	3200 [1510]	2700 [1274]	4100 [1935]	3200 [1510]	2700 [1274]
CFM [L/s]	DR ①	DR ①	DR ①	DR ①	DR ①	DR ①	DR ①	DR ①	DR ①	DR ①	DR ①	DR ①	DR ①	DR ①	DR ①	
75 [23.9]	Total BTUH [kW]	129.7 [38.0]	123.4 [36.2]	119.9 [35.1]	116.6 [34.2]	113.3 [33.2]	110.1 [32.2]	106.8 [31.2]	103.5 [30.2]	100.2 [29.2]	96.9 [28.2]	93.6 [27.2]	90.3 [26.2]	87.0 [25.2]	83.7 [24.2]	80.4 [23.2]
	Sens BTUH [kW]	75.5 [22.1]	66.7 [19.5]	61.8 [18.1]	58.0 [17.0]	54.2 [15.9]	50.4 [14.8]	46.6 [13.7]	42.8 [12.6]	39.0 [11.5]	35.2 [10.4]	31.4 [9.3]	27.6 [8.2]	23.8 [7.1]	20.0 [6.0]	16.2 [4.9]
	Power	6.2	6	5.9	5.8	5.7	5.6	5.5	5.4	5.3	5.2	5.1	5.0	4.9	4.8	4.7
80 [26.7]	Total BTUH [kW]	125.5 [36.8]	119.4 [35.0]	116 [34.0]	112.5 [33.0]	109.3 [32.0]	106.1 [31.0]	102.9 [30.0]	99.7 [29.0]	96.5 [28.0]	93.3 [27.0]	90.1 [26.0]	86.9 [25.0]	83.7 [24.0]	80.5 [23.0]	77.3 [22.0]
	Sens BTUH [kW]	73.3 [21.5]	64.8 [19.0]	60.1 [17.6]	56.4 [16.5]	52.7 [15.4]	49.0 [14.3]	45.3 [13.2]	41.6 [12.1]	37.9 [11.0]	34.2 [9.9]	30.5 [8.8]	26.8 [7.7]	23.1 [6.6]	19.4 [5.5]	15.7 [4.4]
	Power	6.5	6.4	6.3	6.2	6.1	6.0	5.9	5.8	5.7	5.6	5.5	5.4	5.3	5.2	5.1
85 [29.4]	Total BTUH [kW]	121.2 [35.5]	115.3 [33.8]	112.1 [32.8]	108.5 [31.8]	105.4 [30.9]	102.3 [29.9]	99.2 [28.9]	96.1 [27.9]	93.0 [26.9]	89.9 [25.9]	86.8 [24.9]	83.7 [23.9]	80.6 [22.9]	77.5 [21.9]	74.4 [20.9]
	Sens BTUH [kW]	71.2 [20.9]	62.9 [18.4]	58.4 [17.1]	54.9 [15.9]	51.4 [14.8]	47.9 [13.7]	44.4 [12.6]	40.9 [11.5]	37.4 [10.4]	33.9 [9.3]	30.4 [8.2]	26.9 [7.1]	23.4 [6.0]	19.9 [4.9]	16.4 [3.8]
	Power	6.9	6.7	6.7	6.6	6.5	6.4	6.3	6.2	6.1	6.0	5.9	5.8	5.7	5.6	5.5
90 [32.2]	Total BTUH [kW]	117 [34.3]	111.3 [32.6]	108.1 [31.7]	104.4 [30.6]	101.5 [29.7]	98.6 [28.7]	95.7 [27.7]	92.8 [26.7]	89.9 [25.7]	87.0 [24.7]	84.1 [23.7]	81.2 [22.7]	78.3 [21.7]	75.4 [20.7]	72.5 [19.7]
	Sens BTUH [kW]	69 [20.2]	61 [17.9]	56.6 [16.6]	53.1 [15.5]	49.6 [14.4]	46.1 [13.3]	42.6 [12.2]	39.1 [11.1]	35.6 [10.0]	32.1 [8.9]	28.6 [7.8]	25.1 [6.7]	21.6 [5.6]	18.1 [4.5]	14.6 [3.4]
	Power	7.3	7.2	7.1	7.0	6.9	6.8	6.7	6.6	6.5	6.4	6.3	6.2	6.1	6.0	5.9
95 [35]	Total BTUH [kW]	112.7 [33.0]	107.2 [31.4]	104.2 [30.5]	101.2 [29.4]	98.2 [28.4]	95.2 [27.4]	92.2 [26.4]	89.2 [25.4]	86.2 [24.4]	83.2 [23.4]	80.2 [22.4]	77.2 [21.4]	74.2 [20.4]	71.2 [19.4]	68.2 [18.4]
	Sens BTUH [kW]	66.8 [19.6]	59.1 [17.3]	54.8 [16.0]	51.5 [14.9]	48.2 [13.8]	44.9 [12.7]	41.6 [11.6]	38.3 [10.5]	35.0 [9.4]	31.7 [8.3]	28.4 [7.2]	25.1 [6.1]	21.8 [5.0]	18.5 [3.9]	15.2 [2.8]
	Power	7.8	7.6	7.5	7.4	7.3	7.2	7.1	7.0	6.9	6.8	6.7	6.6	6.5	6.4	6.3
100 [37.8]	Total BTUH [kW]	108.4 [31.8]	103.1 [30.2]	100.2 [29.4]	97.3 [28.4]	94.4 [27.4]	91.5 [26.4]	88.6 [25.4]	85.7 [24.4]	82.8 [23.4]	79.9 [22.4]	77.0 [21.4]	74.1 [20.4]	71.2 [19.4]	68.3 [18.4]	65.4 [17.4]
	Sens BTUH [kW]	64.6 [18.9]	57.1 [16.7]	52.9 [15.5]	49.7 [14.4]	46.5 [13.3]	43.3 [12.2]	40.1 [11.1]	36.9 [10.0]	33.7 [8.9]	30.5 [7.8]	27.3 [6.7]	24.1 [5.6]	20.9 [4.5]	17.7 [3.4]	14.5 [2.3]
	Power	8.3	8.1	7.9	7.8	7.7	7.6	7.5	7.4	7.3	7.2	7.1	7.0	6.9	6.8	6.7
105 [40.6]	Total BTUH [kW]	104.1 [30.5]	99 [29.0]	96.2 [28.2]	93.3 [27.2]	90.4 [26.2]	87.5 [25.2]	84.6 [24.2]	81.7 [23.2]	78.8 [22.2]	75.9 [21.2]	73.0 [20.2]	70.1 [19.2]	67.2 [18.2]	64.3 [17.2]	61.4 [16.2]
	Sens BTUH [kW]	62.3 [18.2]	55 [16.1]	51 [15.0]	47.9 [13.9]	44.8 [12.8]	41.7 [11.7]	38.6 [10.6]	35.5 [9.5]	32.4 [8.4]	29.3 [7.3]	26.2 [6.2]	23.1 [5.1]	20.0 [4.0]	16.9 [2.9]	13.8 [1.8]
	Power	8.8	8.6	8.4	8.3	8.2	8.1	8.0	7.9	7.8	7.7	7.6	7.5	7.4	7.3	7.2
110 [43.3]	Total BTUH [kW]	99.8 [29.2]	94.9 [27.8]	92.2 [27.0]	89.5 [26.1]	86.8 [25.2]	84.1 [24.3]	81.4 [23.4]	78.7 [22.5]	76.0 [21.6]	73.3 [20.7]	70.6 [19.8]	67.9 [18.9]	65.2 [18.0]	62.5 [17.1]	59.8 [16.2]
	Sens BTUH [kW]	59.9 [17.6]	53 [15.5]	49.1 [14.4]	46.4 [13.5]	43.7 [12.6]	41.0 [11.7]	38.3 [10.8]	35.6 [9.9]	32.9 [9.0]	30.2 [8.1]	27.5 [7.2]	24.8 [6.3]	22.1 [5.4]	19.4 [4.5]	16.7 [3.6]
	Power	9.3	9.1	9	8.9	8.8	8.7	8.6	8.5	8.4	8.3	8.2	8.1	8.0	7.9	7.8
115 [46.1]	Total BTUH [kW]	95.4 [28.0]	90.8 [26.6]	88.2 [25.9]	85.6 [25.1]	83.0 [24.3]	80.4 [23.5]	77.8 [22.7]	75.2 [21.9]	72.6 [21.1]	70.0 [20.3]	67.4 [19.5]	64.8 [18.7]	62.2 [17.9]	59.6 [17.1]	57.0 [16.3]
	Sens BTUH [kW]	57.5 [16.9]	50.9 [14.9]	47.2 [13.8]	44.5 [12.9]	41.8 [12.0]	39.1 [11.1]	36.4 [10.2]	33.7 [9.3]	31.0 [8.4]	28.3 [7.5]	25.6 [6.6]	22.9 [5.7]	20.2 [4.8]	17.5 [3.9]	14.8 [3.0]
	Power	9.9	9.6	9.5	9.4	9.3	9.2	9.1	9.0	8.9	8.8	8.7	8.6	8.5	8.4	8.3
120 [48.9]	Total BTUH [kW]	91.1 [26.7]	86.7 [25.4]	84.2 [24.7]	81.7 [23.9]	79.2 [23.2]	76.7 [22.4]	74.2 [21.6]	71.7 [20.8]	69.2 [20.0]	66.7 [19.2]	64.2 [18.4]	61.7 [17.6]	59.2 [16.8]	56.7 [16.0]	54.2 [15.2]
	Sens BTUH [kW]	55.1 [16.2]	48.7 [14.3]	45.2 [13.2]	42.7 [12.3]	40.2 [11.4]	37.7 [10.5]	35.2 [9.6]	32.7 [8.7]	30.2 [7.8]	27.7 [6.9]	25.2 [6.0]	22.7 [5.1]	20.2 [4.2]	17.7 [3.3]	15.2 [2.4]
	Power	10.5	10.2	10.1	10.0	9.9	9.8	9.7	9.6	9.5	9.4	9.3	9.2	9.1	9.0	8.9
125 [51.7]	Total BTUH [kW]	86.7 [25.4]	82.5 [24.2]	80.2 [23.5]	77.9 [22.7]	75.6 [22.0]	73.3 [21.2]	71.0 [20.4]	68.7 [19.6]	66.4 [18.8]	64.1 [18.0]	61.8 [17.2]	59.5 [16.4]	57.2 [15.6]	54.9 [14.8]	52.6 [14.0]
	Sens BTUH [kW]	52.7 [15.4]	46.6 [13.6]	43.2 [12.7]	40.8 [11.9]	38.4 [11.1]	36.0 [10.3]	33.6 [9.5]	31.2 [8.7]	28.8 [7.9]	26.4 [7.1]	24.0 [6.3]	21.6 [5.5]	19.2 [4.7]	16.8 [3.9]	14.4 [3.1]
	Power	11.1	10.9	10.8	10.6	10.5	10.4	10.3	10.2	10.1	10.0	9.9	9.8	9.7	9.6	9.5

DR —Depression ratio
 dbE —Entering air dry bulb
 wBE —Entering air wet bulb

① —Total capacity x 1000 BTUH
 Sens —Sensible capacity x 1000 BTUH
 Power —KW input

NOTES: ① When the entering air dry bulb is other than 80°F [27°C], adjust the sensible capacity from the table by adding [1.10 x CFM x (1 - DR) x (dbE - 80)].

[J Designates Metric Conversions

COOLING PERFORMANCE DATA — RGEDZR120A

wB/E		ENTERING INDOOR AIR @ 80°F [26.7°C] dbE ①														
		71°F [21.7°C]			67°F [19.4°C]			63°F [17.2°C]			61°F [16.1°C]			59°F [15.0°C]		
CFM [L/s]	DR ①	4800 [2265]	3750 [1770]	3200 [1510]	4800 [2265]	3750 [1770]	3200 [1510]	4800 [2265]	3750 [1770]	3200 [1510]	4800 [2265]	3750 [1770]	3200 [1510]	4800 [2265]	3750 [1770]	3200 [1510]
75 [23.9]	Total BTUH [kW]	0.09	0.03	0	0.09	0.03	0	0.09	0.03	0	0.09	0.03	0	0.09	0.03	0
	Sens BTUH [kW]	155.3 [45.5]	147.8 [43.3]	143.8 [42.2]	147.8 [43.3]	140.7 [41.2]	136.9 [40.1]	142.9 [41.8]	135.8 [39.8]	132.2 [38.7]	141.5 [41.5]	134.7 [39.5]	131.1 [38.4]	141.4 [41.4]	134.5 [39.4]	130.9 [38.4]
	Power	97.3 [28.5]	86.1 [25.2]	80.2 [23.5]	115.8 [33.9]	102.4 [30.0]	95.4 [28.0]	132.9 [38.9]	117.5 [34.4]	109.5 [32.1]	140.6 [41.2]	124.3 [36.4]	115.9 [33.9]	141.4 [41.4]	130.4 [38.2]	121.4 [35.6]
80 [26.7]	Total BTUH [kW]	7.5	7.3	7.2	7.4	7.2	7.1	7.3	7.1	7	7.2	7.1	7	7.2	7	6.9
	Sens BTUH [kW]	150.6 [44.1]	143.4 [42.0]	139.5 [40.9]	143.2 [42.0]	136.2 [39.9]	132.6 [38.9]	138.1 [40.5]	131.4 [38.5]	127.9 [37.5]	136.9 [40.1]	130.2 [38.2]	126.8 [37.1]	136.7 [40.1]	130.1 [38.1]	126.6 [37.1]
	Power	94.9 [27.8]	84 [24.6]	78.2 [22.9]	113.5 [33.2]	100.3 [29.4]	93.5 [27.4]	130.5 [38.2]	115.4 [33.8]	107.5 [31.5]	136.9 [40.1]	122.2 [35.8]	113.8 [33.4]	136.7 [40.1]	128.3 [37.6]	119.5 [35.0]
85 [29.4]	Total BTUH [kW]	7.9	7.7	7.6	7.8	7.6	7.5	7.7	7.5	7.4	7.7	7.5	7.4	7.6	7.4	7.3
	Sens BTUH [kW]	146 [42.8]	138.9 [40.7]	135.2 [39.6]	138.5 [40.6]	131.8 [38.6]	128.3 [37.6]	133.5 [39.1]	127 [37.2]	123.6 [36.2]	132.2 [38.7]	125.8 [36.9]	122.5 [35.9]	132.1 [38.7]	125.7 [36.8]	122.3 [35.9]
	Power	92.5 [27.1]	81.8 [24.0]	76.2 [22.3]	111 [32.5]	98.2 [28.8]	91.5 [26.8]	128.1 [37.5]	113.3 [33.2]	105.5 [30.9]	132.2 [38.7]	120.1 [35.2]	111.9 [32.8]	132.1 [38.7]	125.7 [36.8]	117.5 [34.4]
90 [32.2]	Total BTUH [kW]	8.3	8.1	8	8.2	8	7.9	8.2	8	7.9	8.1	7.9	7.8	8.1	7.9	7.8
	Sens BTUH [kW]	141.4 [41.4]	134.5 [39.4]	131 [38.4]	133.9 [39.2]	127.4 [37.3]	124 [36.3]	128.5 [37.8]	122.6 [35.9]	119.3 [35.0]	127.6 [37.4]	121.4 [35.6]	118.2 [34.6]	127.5 [37.4]	121.3 [35.5]	118.1 [34.6]
	Power	90.1 [26.4]	79.7 [23.3]	74.2 [21.7]	108.6 [31.8]	96 [28.1]	89.5 [26.2]	125.6 [36.8]	111.1 [32.6]	103.5 [30.3]	127.6 [37.4]	117.9 [34.5]	109.8 [32.2]	127.5 [37.4]	121.3 [35.5]	115.5 [33.8]
95 [35]	Total BTUH [kW]	8.8	8.6	8.5	8.7	8.5	8.4	8.6	8.4	8.3	8.6	8.4	8.3	8.5	8.3	8.2
	Sens BTUH [kW]	136.8 [40.1]	129.3 [37.9]	126.7 [37.1]	129.3 [37.9]	123 [36.1]	119.7 [35.1]	124.2 [36.4]	118.2 [34.6]	115.1 [33.7]	123 [36.0]	117 [34.3]	113.9 [33.4]	122.9 [36.0]	116.9 [34.3]	113.8 [33.3]
	Power	87.6 [25.7]	77.5 [22.7]	72.2 [21.1]	106.1 [31.1]	93.8 [27.5]	87.4 [25.6]	123.1 [36.1]	108.9 [31.9]	101.5 [29.7]	123 [36.0]	115.7 [33.9]	107.8 [31.6]	122.9 [36.0]	116.9 [34.3]	113.4 [33.2]
100 [37.8]	Total BTUH [kW]	9.3	9.1	9	9.2	9	8.9	9.1	8.9	8.8	9.1	8.9	8.8	9.1	8.8	8.7
	Sens BTUH [kW]	132.2 [38.7]	125.8 [36.9]	122.4 [35.9]	124.7 [36.5]	118.7 [34.8]	115.5 [33.8]	119.6 [35.1]	113.8 [33.4]	110.8 [32.5]	118.4 [34.7]	112.7 [33.0]	109.7 [32.1]	118.3 [34.7]	112.5 [33.0]	109.5 [32.1]
	Power	85.1 [24.9]	75.2 [22.0]	70.1 [20.5]	103.6 [30.3]	91.6 [26.8]	85.3 [25.0]	119.6 [35.1]	106.7 [31.3]	99.4 [29.1]	118.4 [34.7]	112.7 [33.0]	105.7 [31.0]	118.3 [34.7]	112.5 [33.0]	109.5 [32.1]
105 [40.6]	Total BTUH [kW]	10.5	10.2	10.1	10.4	10.1	10	10.3	9.7	9.5	9.6	9.4	9.3	9.6	9.4	9.2
	Sens BTUH [kW]	127.6 [37.4]	121.4 [35.6]	118.2 [34.6]	120.1 [35.2]	114.3 [33.5]	111.2 [32.6]	115.1 [33.7]	109.5 [32.1]	106.6 [31.2]	113.8 [33.4]	108.3 [31.7]	105.4 [30.9]	113.7 [33.3]	108.2 [31.7]	105.3 [30.9]
	Power	82.5 [24.2]	73 [21.4]	68 [19.9]	101 [29.6]	89.3 [26.2]	83.2 [24.4]	115.1 [33.7]	104.4 [30.6]	97.3 [28.5]	113.8 [33.4]	108.3 [31.7]	103.6 [30.4]	113.7 [33.3]	108.2 [31.7]	105.3 [30.9]
110 [43.3]	Total BTUH [kW]	11.1	10.8	10.7	11	10.7	10.6	10.9	10.9	10.5	10.8	10.6	10.4	10.8	10.5	10.4
	Sens BTUH [kW]	123 [36.1]	117.1 [34.3]	114 [33.4]	115.5 [33.9]	109.9 [32.2]	107 [31.4]	110.5 [32.4]	105.1 [30.8]	102.3 [30.0]	109.3 [32.0]	104 [30.5]	101.2 [29.7]	109.1 [32.0]	103.8 [30.4]	101.1 [29.6]
	Power	79.9 [23.4]	70.6 [20.7]	65.8 [19.3]	98.4 [28.8]	87 [25.5]	81.1 [23.8]	110.5 [32.4]	102.1 [29.9]	95.1 [27.9]	109.3 [32.0]	104 [30.5]	101.2 [29.7]	109.1 [32.0]	103.8 [30.4]	101.1 [29.6]
115 [46.1]	Total BTUH [kW]	11.7	11.4	11.3	11.6	11.3	11.2	11.5	11.2	11.1	11.5	11.2	11.1	11.4	11.2	11
	Sens BTUH [kW]	118.5 [34.7]	112.7 [33.0]	109.7 [32.2]	111 [32.5]	105.6 [31.0]	102.8 [30.1]	105.9 [31.0]	100.8 [29.5]	98.1 [28.8]	104.7 [30.7]	99.6 [29.2]	97 [28.4]	104.6 [30.6]	99.5 [29.2]	96.8 [28.4]
	Power	77.2 [22.6]	68.3 [20.0]	63.6 [18.6]	95.7 [28.1]	84.7 [24.8]	78.9 [23.1]	105.9 [31.0]	99.8 [29.2]	92.9 [27.2]	104.7 [30.7]	99.6 [29.2]	97 [28.4]	104.6 [30.6]	99.5 [29.2]	96.8 [28.4]
120 [48.9]	Total BTUH [kW]	12.4	12.1	11.9	12.3	12	11.8	12.2	11.9	11.7	12.1	11.9	11.7	12.1	11.8	11.7
	Sens BTUH [kW]	113.9 [33.4]	108.4 [31.8]	105.5 [30.9]	106.5 [31.2]	101.3 [29.7]	98.6 [28.9]	101.4 [29.7]	96.5 [28.3]	93.9 [27.5]	100.2 [29.4]	95.3 [27.9]	92.8 [27.2]	100 [29.3]	95.2 [27.9]	92.6 [27.1]
	Power	74.5 [21.8]	65.9 [19.3]	61.4 [18.0]	93 [27.3]	82.3 [24.1]	76.7 [22.5]	101.4 [29.7]	96.5 [28.3]	90.7 [26.6]	100.2 [29.4]	95.3 [27.9]	92.8 [27.2]	100 [29.3]	95.2 [27.9]	92.6 [27.1]
125 [51.7]	Total BTUH [kW]	13.1	12.8	12.6	13	12.7	12.5	12.9	12.6	12.4	12.9	12.5	12.4	12.8	12.5	12.3
	Sens BTUH [kW]	109.4 [32.1]	104.1 [30.5]	101.3 [29.7]	101.9 [29.9]	97 [28.4]	94.4 [27.7]	96.9 [28.4]	92.2 [27.0]	89.7 [26.3]	95.6 [28.0]	91 [26.7]	88.6 [26.0]	95.5 [28.0]	90.9 [26.6]	88.5 [25.9]
	Power	71.8 [21.0]	63.5 [18.6]	59.2 [17.3]	90.3 [26.5]	79.9 [23.4]	74.4 [21.8]	96.9 [28.4]	92.2 [27.0]	88.5 [25.9]	95.6 [28.0]	91 [26.7]	88.6 [26.0]	95.5 [28.0]	90.9 [26.6]	88.5 [25.9]

DR —Depression ratio
 dbE —Entering air dry bulb
 wB/E —Entering air wet bulb

Total —Total capacity x 1000 BTUH
 Sens —Sensible capacity x 1000 BTUH
 Power —KW input

NOTES: ① When the entering air dry bulb is other than 80°F [27°C], adjust the sensible capacity from the table by adding [(1.10 x CFM x (1 – DR) x (dbE – 80))].

[] Designates Metric Conversions

COOLING PERFORMANCE DATA — RGEDZS090A

WBE		ENTERING INDOOR AIR @ 80°F [26.7°C] dbE ①											
		71°F [21.7°C]		67°F [19.4°C]		63°F [17.2°C]		61°F [16.1°C]		59°F [15.0°C]			
CFM [L/s]	DR ①	3600 [1699]	2775 [1310]	2400 [1133]	3600 [1699]	2775 [1310]	2400 [1133]	3600 [1699]	2775 [1310]	2400 [1133]	3600 [1699]	2775 [1310]	2400 [1133]
75 [23.9]	Total BTUH [kW]	119.6 [35.0]	113.5 [33.2]	110.7 [32.4]	112.7 [33.0]	107.8 [31.6]	102.3 [30.0]	106.4 [31.2]	100.9 [29.6]	98.4 [28.8]	105.8 [31.0]	100.4 [29.4]	97.9 [28.7]
	Sens BTUH [kW]	70.3 [20.6]	61.8 [18.1]	57.9 [17.0]	83.3 [24.4]	73.2 [21.4]	68.5 [20.1]	96 [28.1]	84.3 [24.7]	79 [23.2]	84.1 [24.6]	94.9 [27.8]	88.9 [26.1]
	Power	5.2	5.1	5	5.1	4.9	4.9	5.1	4.9	5	4.9	5	4.9
80 [26.7]	Total BTUH [kW]	116.1 [34.0]	110.1 [32.3]	107.4 [31.5]	109.2 [32.0]	104.3 [30.6]	99 [29.0]	102.9 [30.1]	97.6 [28.6]	95.2 [27.9]	102.3 [30.0]	97.1 [28.4]	94.7 [27.7]
	Sens BTUH [kW]	68.4 [20.1]	60.1 [17.6]	56.3 [16.5]	81.4 [23.9]	71.5 [20.9]	67 [19.6]	94.1 [27.6]	82.7 [24.2]	77.4 [22.7]	102.3 [30.0]	93.2 [27.3]	87.4 [25.6]
	Power	5.6	5.4	5.4	5.5	5.3	5.3	5.5	5.3	5.3	5.4	5.3	5.2
85 [29.4]	Total BTUH [kW]	112.6 [33.0]	106.8 [31.3]	104.2 [30.5]	105.7 [31.0]	100.8 [29.5]	95.6 [28.0]	99.3 [29.1]	94.2 [27.6]	91.9 [26.9]	98.8 [28.9]	93.7 [27.5]	91.4 [26.8]
	Sens BTUH [kW]	66.6 [19.5]	58.5 [17.1]	54.8 [16.0]	79.5 [23.3]	69.8 [20.5]	65.4 [19.2]	92.3 [27.0]	81 [23.7]	75.9 [22.2]	98.8 [28.9]	91.6 [26.8]	85.8 [25.1]
	Power	6	5.9	5.8	6	5.8	5.8	5.9	5.7	5.7	5.9	5.7	5.6
90 [32.2]	Total BTUH [kW]	109 [31.9]	103.4 [30.3]	100.9 [29.6]	102.1 [29.9]	96.9 [28.4]	94.5 [27.7]	97.2 [28.5]	92.2 [27.0]	88.6 [26.6]	95.2 [27.9]	90.3 [26.5]	88.1 [25.8]
	Sens BTUH [kW]	64.7 [19.0]	56.8 [16.7]	53.2 [15.6]	77.7 [22.8]	68.2 [20.0]	63.9 [18.7]	90.4 [26.5]	79.4 [23.3]	74.4 [21.8]	95.8 [28.1]	90 [26.4]	84.3 [24.7]
	Power	6.6	6.4	6.3	6.5	6.4	6.3	6.5	6.3	6.2	6.4	6.2	6.2
95 [35]	Total BTUH [kW]	105.4 [30.9]	100 [29.3]	97.5 [28.6]	98.5 [28.9]	93.5 [27.4]	88.8 [26.0]	93.6 [27.4]	88.8 [26.0]	86.6 [25.4]	92.2 [27.0]	87.4 [25.6]	84.8 [24.8]
	Sens BTUH [kW]	62.9 [18.4]	55.2 [16.2]	51.7 [15.2]	75.8 [22.2]	66.6 [19.5]	62.4 [18.3]	88.6 [26.0]	77.8 [22.8]	72.9 [21.4]	92.2 [27.0]	83.2 [24.4]	82.8 [24.3]
	Power	7.2	7	6.9	7.2	7	6.9	7.1	6.9	6.8	7.1	6.9	6.8
100 [37.8]	Total BTUH [kW]	101.7 [29.8]	96.5 [28.3]	94.2 [27.6]	94.9 [27.8]	90 [26.4]	87.8 [25.7]	90 [26.4]	85.4 [25.0]	83.3 [24.4]	88.5 [25.9]	84 [24.6]	81.4 [23.9]
	Sens BTUH [kW]	61 [17.9]	53.6 [15.7]	50.2 [14.7]	74 [21.7]	65 [19.0]	60.9 [17.8]	86.7 [25.4]	76.2 [22.3]	71.4 [20.9]	88.5 [25.9]	81.6 [23.9]	81.3 [23.8]
	Power	7.9	7.7	7.6	7.9	7.7	7.6	7.8	7.6	7.5	7.8	7.6	7.4
105 [40.6]	Total BTUH [kW]	98.1 [28.7]	93 [27.3]	90.7 [26.6]	91.2 [26.7]	86.5 [25.4]	84.4 [24.7]	86.3 [25.3]	81.9 [24.0]	79.8 [23.4]	84.8 [24.9]	80.5 [23.6]	78 [22.9]
	Sens BTUH [kW]	59.3 [17.4]	52 [15.2]	48.8 [14.3]	72.2 [21.2]	63.4 [18.6]	59.4 [17.4]	84.9 [24.9]	74.6 [21.9]	69.9 [20.5]	84.8 [24.9]	84.3 [24.7]	78 [22.9]
	Power	8.7	8.5	8.4	8.6	8.4	8.3	8.6	8.4	8.3	8.5	8.3	8.2
110 [43.3]	Total BTUH [kW]	94.3 [27.6]	89.5 [26.2]	87.3 [25.6]	87.5 [25.6]	83 [24.3]	81 [23.7]	82.6 [24.2]	78.3 [23.0]	76.4 [22.4]	81.1 [23.8]	76.9 [22.5]	74.5 [21.8]
	Sens BTUH [kW]	57.5 [16.8]	50.5 [14.8]	47.3 [13.9]	70.4 [20.6]	61.9 [18.1]	57.9 [17.0]	82.6 [24.2]	73 [21.4]	68.4 [20.1]	81.1 [23.8]	76.9 [22.5]	74.5 [21.8]
	Power	9.5	9.3	9.2	9.5	9.2	9.1	9.4	9.2	9.1	9.4	9.2	9
115 [46.1]	Total BTUH [kW]	90.6 [26.5]	85.9 [25.2]	83.8 [24.6]	83.7 [24.5]	79.4 [23.3]	77.5 [22.7]	78.8 [23.1]	74.8 [21.9]	72.9 [21.4]	77.3 [22.7]	73.4 [21.5]	71.1 [20.8]
	Sens BTUH [kW]	55.7 [16.3]	48.9 [14.3]	45.8 [13.4]	68.7 [20.1]	60.3 [17.7]	56.5 [16.6]	78.8 [23.1]	71.5 [20.9]	67 [19.6]	77.3 [22.7]	73.4 [21.5]	71.1 [20.8]
	Power	10.5	10.2	10.1	10.4	10.2	10	10.4	10.1	10	10.3	10.1	9.9
120 [48.9]	Total BTUH [kW]	86.8 [25.4]	82.3 [24.1]	80.3 [23.5]	79.9 [23.4]	75.8 [22.2]	74 [21.7]	75 [22.0]	71.1 [20.8]	69.4 [20.3]	73.5 [21.6]	69.8 [20.4]	67.5 [19.8]
	Sens BTUH [kW]	54 [15.8]	47.4 [13.9]	44.4 [13.0]	66.9 [19.6]	58.8 [17.2]	55.1 [16.1]	75 [22.0]	70 [20.5]	66.5 [19.2]	73.5 [21.6]	69.8 [20.4]	67.5 [19.8]
	Power	11.5	11.2	11.1	11.4	11.1	11	11.4	11.1	11	11.3	11.1	10.9
125 [51.7]	Total BTUH [kW]	82.9 [24.3]	78.7 [23.1]	76.8 [22.5]	76.1 [22.3]	72.2 [21.2]	70.4 [20.6]	71.2 [20.9]	67.5 [19.8]	65.8 [19.3]	69.7 [20.4]	66.1 [19.4]	64 [18.8]
	Sens BTUH [kW]	52.3 [15.3]	45.9 [13.4]	43 [12.6]	65.2 [19.1]	57.3 [16.8]	53.7 [15.7]	71.2 [20.9]	67.5 [19.8]	64.1 [18.8]	69.7 [20.4]	66.1 [19.4]	64 [18.8]
	Power	12.6	12.3	12.1	12.5	12.2	12.1	12.5	12.1	12	12.4	12.1	11.9

DR — Depression ratio
 dbE — Entering air dry bulb
 wBE — Entering air wet bulb

Total — Total capacity x 1000 BTUH
 Sens — Sensible capacity x 1000 BTUH
 Power — kW input

NOTES: ① When the entering air dry bulb is other than 80°F [27°C], adjust the sensible capacity from the table by adding [1.10 x CFM x (1 - DR) x (dbE - 80)].

[J Designates Metric Conversions

COOLING PERFORMANCE DATA — RGEDZS102A

wBE		ENTERING INDOOR AIR @ 80°F [26.7°C] dbE ①											
		71°F [21.7°C]		67°F [19.4°C]		63°F [17.2°C]		61°F [16.1°C]		59°F [15.0°C]			
CFM [L/s]	DR ①	4100 [1935]	3200 [1510]	2700 [1274]	4100 [1935]	3200 [1510]	2700 [1274]	4100 [1935]	3200 [1510]	2700 [1274]	4100 [1935]	3200 [1510]	2700 [1274]
75 [23.9]	Total BTUH [kW]	129.9 [38.1]	123.6 [36.2]	120.1 [35.2]	122.7 [36.0]	116.7 [34.2]	113.4 [33.2]	118.3 [34.7]	112.5 [33.0]	109.3 [32.0]	117.5 [34.4]	111.8 [32.8]	108.9 [31.8]
	Sens BTUH [kW]	81.3 [23.8]	71.9 [21.1]	66.6 [19.5]	96.4 [28.2]	85.2 [25.0]	79 [23.1]	110.1 [32.3]	97.3 [28.5]	90.2 [26.4]	116.1 [34.0]	102.6 [30.1]	95.2 [27.9]
	Power	6.2	6.1	6	6.1	5.9	5.9	6.1	5.9	5.8	6	5.9	5.8
80 [26.7]	Total BTUH [kW]	125.7 [36.8]	119.5 [35.0]	116.1 [34.0]	118.5 [34.7]	112.7 [33.0]	109.5 [32.1]	114 [33.4]	108.5 [31.8]	105.4 [30.9]	113.3 [33.2]	107.8 [31.6]	104.7 [30.7]
	Sens BTUH [kW]	79.2 [23.2]	70 [20.5]	64.9 [19.0]	94.3 [27.6]	83.3 [24.4]	77.2 [22.6]	108 [31.6]	95.4 [28.0]	88.5 [25.9]	113.3 [33.2]	100.8 [29.5]	93.4 [27.4]
	Power	6.6	6.4	6.3	6.5	6.3	6.2	6.4	6.3	6.2	6.4	6.2	6.1
85 [29.4]	Total BTUH [kW]	121.4 [35.6]	115.5 [33.8]	112.2 [32.9]	114.2 [33.5]	108.7 [31.8]	105.6 [30.9]	109.8 [32.2]	104.4 [30.6]	101.5 [29.7]	109 [31.9]	103.7 [30.4]	100.8 [29.5]
	Sens BTUH [kW]	77 [22.6]	68.1 [20.0]	63.1 [18.5]	92.1 [27.0]	81.4 [23.9]	75.5 [22.1]	105.8 [31.0]	93.5 [27.4]	86.7 [25.4]	109 [31.9]	98.9 [29.0]	91.7 [26.9]
	Power	6.9	6.8	6.7	6.9	6.7	6.6	6.8	6.6	6.6	6.8	6.6	6.5
90 [32.2]	Total BTUH [kW]	117.1 [34.3]	111.4 [32.7]	108.3 [31.7]	110 [32.2]	104.6 [30.7]	101.6 [29.8]	105.5 [30.9]	100.4 [29.4]	97.5 [28.6]	104.8 [30.7]	99.7 [29.2]	96.8 [28.4]
	Sens BTUH [kW]	74.9 [21.9]	66.2 [19.4]	61.4 [18.0]	89.9 [26.4]	79.5 [23.3]	73.7 [21.6]	103.6 [30.4]	91.6 [26.8]	84.9 [24.9]	104.8 [30.7]	97 [28.4]	89.9 [26.4]
	Power	7.4	7.2	7.1	7.3	7.1	7	7.2	7.1	7	7.2	7	6.9
95 [35]	Total BTUH [kW]	112.9 [33.1]	107.4 [31.5]	104.3 [30.6]	105.7 [31.0]	100.5 [29.5]	97.7 [28.6]	101.2 [29.7]	96.3 [28.2]	93.6 [27.4]	100.5 [29.4]	95.6 [28.0]	92.9 [27.2]
	Sens BTUH [kW]	72.6 [21.3]	64.2 [18.8]	59.5 [17.4]	87.7 [25.7]	77.5 [22.7]	71.9 [21.1]	101.2 [29.7]	89.7 [26.3]	83.1 [24.4]	100.5 [29.4]	95 [27.8]	88.1 [25.8]
	Power	7.8	7.6	7.5	7.7	7.6	7.4	7.7	7.5	7.4	7.6	7.5	7.4
100 [37.8]	Total BTUH [kW]	108.6 [31.8]	103.3 [30.3]	100.4 [29.4]	101.4 [29.7]	96.5 [28.1]	93.7 [27.5]	97 [28.4]	92.2 [27.0]	89.6 [26.3]	96.2 [28.2]	91.5 [26.8]	88.9 [26.1]
	Sens BTUH [kW]	70.4 [20.6]	62.2 [18.2]	57.7 [16.9]	85.5 [25.0]	75.5 [22.1]	70 [20.5]	97 [28.4]	87.7 [25.7]	81.3 [23.8]	96.2 [28.2]	91.5 [26.8]	86.2 [25.3]
	Power	8.3	8.1	8	8.2	8	7.9	8.2	8	7.8	8.1	7.9	7.8
105 [40.6]	Total BTUH [kW]	104.3 [30.6]	99.2 [29.1]	96.4 [28.2]	97.1 [28.4]	92.4 [27.1]	89.7 [26.3]	92.7 [27.2]	88.1 [25.8]	85.6 [25.1]	91.9 [26.9]	87.4 [25.6]	84.9 [24.7]
	Sens BTUH [kW]	68.1 [20.0]	60.2 [17.6]	55.8 [16.4]	83.2 [24.4]	73.5 [21.5]	68.1 [20.0]	92.7 [27.2]	85.6 [25.1]	79.4 [23.3]	91.9 [26.9]	87.4 [25.6]	84.9 [24.7]
	Power	8.8	8.6	8.5	8.7	8.5	8.4	8.7	8.5	8.3	8.6	8.4	8.3
110 [43.3]	Total BTUH [kW]	99.9 [29.3]	95.1 [27.9]	92.4 [27.1]	92.8 [27.2]	88.2 [25.9]	85.7 [25.1]	88.3 [25.9]	84 [24.6]	81.6 [23.9]	87.6 [25.7]	83.3 [24.4]	80.9 [23.7]
	Sens BTUH [kW]	65.8 [19.3]	58.1 [17.0]	53.9 [15.8]	80.8 [23.7]	71.4 [20.9]	66.2 [19.4]	88.3 [25.9]	83.6 [24.5]	77.5 [22.7]	87.6 [25.7]	83.3 [24.4]	80.9 [23.7]
	Power	9.3	9.1	9	9.3	9	8.9	9.2	9	8.9	9.2	9	8.8
115 [46.1]	Total BTUH [kW]	95.6 [28.0]	91 [26.7]	88.4 [25.9]	88.4 [25.9]	84.1 [24.7]	81.7 [24.0]	84 [24.6]	79.9 [23.4]	77.6 [22.8]	83.2 [24.4]	79.2 [23.2]	76.9 [22.5]
	Sens BTUH [kW]	63.4 [18.6]	56 [16.4]	51.9 [15.2]	78.4 [23.0]	69.3 [20.3]	64.3 [18.8]	84 [24.6]	79.9 [23.4]	75.5 [22.1]	83.2 [24.4]	79.2 [23.2]	76.9 [22.5]
	Power	9.9	9.7	9.5	9.8	9.6	9.5	9.8	9.5	9.4	9.7	9.5	9.4
120 [48.9]	Total BTUH [kW]	91.3 [26.7]	86.8 [25.4]	84.4 [24.7]	84.1 [24.6]	80 [23.4]	77.7 [22.8]	79.6 [23.3]	75.8 [22.2]	73.6 [21.6]	76.9 [23.1]	75 [22.0]	72.9 [21.4]
	Sens BTUH [kW]	61 [17.9]	53.9 [15.8]	50 [14.6]	76 [22.3]	67.2 [19.7]	62.3 [18.3]	79.6 [23.3]	75.8 [22.2]	73.5 [21.6]	78.9 [23.1]	75 [22.0]	72.9 [21.4]
	Power	10.5	10.3	10.1	10.5	10.2	10.1	10.4	10.1	10	10.4	10.1	10
125 [51.7]	Total BTUH [kW]	86.9 [25.5]	82.7 [24.2]	80.3 [23.5]	79.7 [23.4]	75.8 [22.2]	73.7 [21.6]	75.3 [22.1]	71.6 [21.0]	69.6 [20.4]	74.5 [21.8]	70.9 [20.8]	68.9 [20.2]
	Sens BTUH [kW]	58.5 [17.1]	51.7 [15.2]	48 [14.1]	73.6 [21.6]	65 [19.1]	60.3 [17.7]	75.3 [22.1]	71.6 [21.0]	69.6 [20.4]	74.5 [21.8]	70.9 [20.8]	68.9 [20.2]
	Power	11.2	10.9	10.7	11.1	10.8	10.7	11	10.8	10.6	11	10.7	10.6

DR —Depression ratio
 dbE —Entering air dry bulb
 wBE —Entering air wet bulb

Total —Total capacity x 1000 BTUH
 Sens —Sensible capacity x 1000 BTUH
 Power —KW input

NOTES: ① When the entering air dry bulb is other than 80°F [27°C], adjust the sensible capacity from the table by adding [1.10 x CFM x (1 - DR) x (dbE - 80)].

[] Designates Metric Conversions

COOLING PERFORMANCE DATA — RGEDZS120A

wBE		ENTERING INDOOR AIR @ 80°F [26.7°C] dbE ①																	
		71°F [21.7°C]			67°F [19.4°C]			63°F [17.2°C]			61°F [16.1°C]			59°F [15.0°C]					
		4800 [2265]	3750 [1770]	3200 [1510]	4800 [2265]	3750 [1770]	3200 [1510]	4800 [2265]	3750 [1770]	3200 [1510]	4800 [2265]	3750 [1770]	3200 [1510]	4800 [2265]	3750 [1770]	3200 [1510]			
CFM [L/s]		0.03			0.03			0.03			0.03			0.03			0.03		
DR ①		0			0			0			0			0			0		
Total BTUH [kW]		155.3 [45.5]	147.8 [43.3]	143.8 [42.2]	147.8 [43.3]	140.7 [41.2]	136.9 [40.1]	142.8 [41.8]	135.8 [39.8]	132.2 [38.7]	131.4 [38.5]	132.2 [38.7]	123.6 [36.2]	125.8 [36.9]	122.9 [36.0]	122.9 [36.0]	116.9 [34.3]	113.8 [33.3]	
Sens BTUH [kW]		97.3 [28.5]	86.1 [25.2]	80.2 [23.5]	115.8 [33.9]	102.4 [30.0]	95.4 [28.0]	132.9 [38.9]	117.5 [34.4]	109.5 [32.1]	109.5 [32.1]	109.5 [32.1]	105.5 [30.9]	105.5 [30.9]	105.5 [30.9]	105.5 [30.9]	105.5 [30.9]	105.5 [30.9]	
Power		7.5	7.3	7.2	7.4	7.2	7.1	7.3	7.1	7.1	7.1	7.1	7.5	7.5	7.5	7.2	7.2	7.2	
Total BTUH [kW]		150.6 [44.1]	143.4 [42.0]	139.5 [40.9]	143.2 [42.0]	136.2 [39.9]	132.6 [38.9]	138.1 [40.5]	131.4 [38.5]	127.9 [37.5]	126.8 [37.1]	126.8 [37.1]	123.6 [36.2]	125.8 [36.9]	122.9 [36.0]	122.9 [36.0]	116.9 [34.3]	113.8 [33.3]	
Sens BTUH [kW]		94.9 [27.8]	84 [24.6]	78.2 [22.9]	113.5 [33.2]	100.3 [29.4]	93.5 [27.4]	130.5 [38.2]	115.4 [33.8]	107.5 [31.5]	107.5 [31.5]	107.5 [31.5]	105.5 [30.9]	105.5 [30.9]	105.5 [30.9]	105.5 [30.9]	105.5 [30.9]	105.5 [30.9]	
Power		7.9	7.7	7.6	7.8	7.6	7.5	7.7	7.5	7.4	7.4	7.4	7.5	7.5	7.5	7.6	7.6	7.6	
Total BTUH [kW]		146 [42.8]	138.9 [40.7]	135.2 [39.6]	138.5 [40.6]	131.8 [38.6]	128.3 [37.6]	133.5 [39.1]	127 [37.2]	123.6 [36.2]	123.6 [36.2]	123.6 [36.2]	123.6 [36.2]	125.8 [36.9]	122.9 [36.0]	122.9 [36.0]	116.9 [34.3]	113.8 [33.3]	
Sens BTUH [kW]		92.5 [27.1]	81.8 [24.0]	76.2 [22.3]	111 [32.5]	98.2 [28.8]	91.5 [26.8]	128.1 [37.5]	113.3 [33.2]	105.5 [30.9]	105.5 [30.9]	105.5 [30.9]	105.5 [30.9]	105.5 [30.9]	105.5 [30.9]	105.5 [30.9]	105.5 [30.9]	105.5 [30.9]	
Power		8.3	8.1	8	8.2	8	7.9	8.2	8	8	8	8	8	8	8	8.1	8.1	8.1	
Total BTUH [kW]		141.4 [41.4]	134.5 [39.4]	131 [38.4]	133.9 [39.2]	127.4 [37.3]	124 [36.3]	128.8 [37.8]	122.6 [35.9]	119.3 [35.0]	119.3 [35.0]	119.3 [35.0]	119.3 [35.0]	122.6 [35.9]	122.6 [35.9]	122.6 [35.9]	116.9 [34.3]	113.8 [33.3]	
Sens BTUH [kW]		90.1 [26.4]	79.7 [23.3]	74.2 [21.7]	108.6 [31.8]	96 [28.1]	89.5 [26.2]	125.6 [36.8]	111.1 [32.6]	103.5 [30.3]	103.5 [30.3]	103.5 [30.3]	103.5 [30.3]	127.6 [37.4]	127.6 [37.4]	127.6 [37.4]	127.6 [37.4]	127.6 [37.4]	
Power		8.8	8.6	8.5	8.7	8.5	8.4	8.6	8.4	8.4	8.4	8.4	8.4	8.6	8.6	8.5	8.5	8.5	
Total BTUH [kW]		136.8 [40.1]	130.2 [38.1]	126.7 [37.1]	129.3 [37.9]	123 [36.1]	119.7 [35.1]	124.2 [36.4]	118.2 [34.6]	115.1 [33.7]	115.1 [33.7]	115.1 [33.7]	115.1 [33.7]	123 [36.0]	123 [36.0]	123 [36.0]	116.9 [34.3]	113.8 [33.3]	
Sens BTUH [kW]		87.6 [25.7]	77.5 [22.7]	72.2 [21.1]	106.1 [31.1]	93.8 [27.5]	87.4 [25.6]	123.1 [36.1]	108.9 [31.9]	101.5 [29.7]	101.5 [29.7]	101.5 [29.7]	101.5 [29.7]	123 [36.0]	123 [36.0]	123 [36.0]	116.9 [34.3]	113.8 [33.3]	
Power		9.3	9.1	9	9.2	9	8.9	9.1	8.9	8.8	8.8	8.8	8.8	9.1	9.1	9.1	9.1	9.1	
Total BTUH [kW]		132.2 [38.7]	125.8 [36.9]	122.4 [35.9]	124.7 [36.5]	118.7 [34.8]	115.5 [33.8]	119.6 [35.1]	113.8 [33.4]	110.8 [32.5]	110.8 [32.5]	110.8 [32.5]	110.8 [32.5]	118.2 [34.6]	118.2 [34.6]	118.2 [34.6]	112.5 [33.0]	109.5 [32.1]	
Sens BTUH [kW]		85.1 [24.9]	75.2 [22.0]	70.1 [20.5]	103.6 [30.3]	91.6 [26.8]	85.3 [25.0]	119.6 [35.1]	106.7 [31.3]	99.4 [29.1]	99.4 [29.1]	99.4 [29.1]	99.4 [29.1]	118.4 [34.7]	118.4 [34.7]	118.4 [34.7]	112.5 [33.0]	109.5 [32.1]	
Power		9.9	9.6	9.5	9.8	9.5	9.4	9.7	9.5	9.3	9.3	9.3	9.3	9.6	9.6	9.6	9.4	9.2	
Total BTUH [kW]		127.6 [37.4]	121.4 [35.6]	118.2 [34.6]	120.1 [35.2]	114.3 [33.5]	111.2 [32.6]	115.1 [33.7]	109.5 [32.4]	106.6 [31.2]	106.6 [31.2]	106.6 [31.2]	106.6 [31.2]	113.8 [33.4]	113.8 [33.4]	113.8 [33.4]	108.2 [31.7]	105.3 [30.9]	
Sens BTUH [kW]		82.5 [24.2]	73 [21.4]	68 [19.9]	101 [29.6]	89.3 [26.2]	83.2 [24.4]	115.1 [33.7]	104.4 [30.6]	97.3 [28.5]	97.3 [28.5]	97.3 [28.5]	97.3 [28.5]	113.8 [33.4]	113.8 [33.4]	113.8 [33.4]	108.2 [31.7]	105.3 [30.9]	
Power		10.5	10.2	10.1	10.4	10.1	10	10.3	10	9.9	9.9	9.9	9.9	10.2	10.2	10.2	10	9.8	
Total BTUH [kW]		123 [36.1]	117.1 [34.3]	114 [33.4]	115.5 [33.9]	109.9 [32.2]	107 [31.4]	110.5 [32.4]	105.1 [30.8]	102.3 [30.0]	102.3 [30.0]	102.3 [30.0]	102.3 [30.0]	109.3 [32.0]	109.3 [32.0]	109.3 [32.0]	103.8 [30.4]	101.1 [29.6]	
Sens BTUH [kW]		79.9 [23.4]	70.6 [20.7]	65.8 [19.3]	98.4 [28.8]	87 [25.5]	81.1 [23.8]	110.5 [32.4]	102.1 [29.9]	95.1 [27.9]	95.1 [27.9]	95.1 [27.9]	95.1 [27.9]	109.3 [32.0]	109.3 [32.0]	109.3 [32.0]	103.8 [30.4]	101.1 [29.6]	
Power		11.1	10.8	10.7	11	10.7	10.6	10.9	10.6	10.5	10.5	10.5	10.5	10.8	10.8	10.8	10.5	10.4	
Total BTUH [kW]		118.5 [34.7]	112.7 [33.0]	109.7 [32.2]	111 [32.5]	105.6 [31.0]	102.8 [30.1]	105.9 [31.0]	100.8 [29.5]	98.1 [28.8]	98.1 [28.8]	98.1 [28.8]	98.1 [28.8]	104.7 [30.7]	104.7 [30.7]	104.7 [30.7]	99.5 [29.2]	96.8 [28.4]	
Sens BTUH [kW]		77.2 [22.6]	68.3 [20.0]	63.6 [18.6]	95.7 [28.1]	84.7 [24.8]	78.9 [23.1]	105.9 [31.0]	99.8 [29.2]	92.9 [27.2]	92.9 [27.2]	92.9 [27.2]	92.9 [27.2]	104.7 [30.7]	104.7 [30.7]	104.7 [30.7]	99.5 [29.2]	96.8 [28.4]	
Power		11.7	11.4	11.3	11.6	11.3	11.2	11.5	11.2	11.1	11.1	11.1	11.1	11.5	11.5	11.5	11.2	11.1	
Total BTUH [kW]		113.9 [33.4]	108.4 [31.8]	105.5 [30.9]	106.5 [31.2]	101.3 [29.7]	98.6 [28.9]	101.4 [29.7]	96.5 [28.3]	93.9 [27.5]	93.9 [27.5]	93.9 [27.5]	93.9 [27.5]	100.2 [29.4]	100.2 [29.4]	100.2 [29.4]	95.2 [27.9]	92.6 [27.1]	
Sens BTUH [kW]		74.5 [21.8]	65.9 [19.3]	61.4 [18.0]	93 [27.3]	82.3 [24.1]	76.7 [22.5]	101.4 [29.7]	96.5 [28.3]	90.7 [26.6]	90.7 [26.6]	90.7 [26.6]	90.7 [26.6]	100.2 [29.4]	100.2 [29.4]	100.2 [29.4]	95.2 [27.9]	92.6 [27.1]	
Power		12.4	12.1	11.9	12.3	12	11.8	12.2	11.9	11.7	11.7	11.7	11.7	12.1	12.1	12.1	11.8	11.7	
Total BTUH [kW]		109.4 [32.1]	104.1 [30.5]	101.3 [29.7]	101.9 [29.9]	97 [28.4]	94.4 [27.7]	96.9 [28.4]	92.2 [27.0]	89.7 [26.3]	89.7 [26.3]	89.7 [26.3]	89.7 [26.3]	95.6 [28.0]	95.6 [28.0]	95.6 [28.0]	90.9 [26.6]	88.5 [25.9]	
Sens BTUH [kW]		71.8 [21.0]	63.5 [18.6]	59.2 [17.3]	90.3 [26.5]	79.9 [23.4]	74.4 [21.8]	96.9 [28.4]	92.2 [27.0]	88.5 [25.9]	88.5 [25.9]	88.5 [25.9]	88.5 [25.9]	95.6 [28.0]	95.6 [28.0]	95.6 [28.0]	90.9 [26.6]	88.5 [25.9]	
Power		13.1	12.8	12.6	13	12.7	12.5	12.9	12.6	12.4	12.4	12.4	12.4	12.9	12.9	12.9	12.8	12.5	

DR —Depression ratio
 dbE —Entering air dry bulb
 wBE —Entering air wet bulb

Total —Total capacity x 1000 BTUH
 Sens —Sensible capacity x 1000 BTUH
 Power —KW input

NOTES: ① When the entering air dry bulb is other than 80°F [27°C], adjust the sensible capacity from the table by adding [1.10 x CFM x (1 - DR) x (dbE - 80)].

[J] Designates Metric Conversions

COOLING PERFORMANCE DATA – RGEDZS150A

ENTERING INDOOR AIR @ 80°F [26.7°C] dbE ①											
wbE		71°F [21.7°C]			67°F [19.4°C]			63°F [17.2°C]			
CFM [L/s]		4500 [2124]	3750 [1770]	3000 [1416]	4500 [2124]	3750 [1770]	3000 [1416]	4500 [2124]	3750 [1770]	3000 [1416]	
DR ①		0	0.01	0.09	0	0.01	0.09	0	0.01	0.09	
OUTDOOR DRY BULB TEMPERATURE °F [°C]	75 [23.9]	Total BTUH [kW]	179.6 [52.6]	173.3 [50.8]	167.0 [48.9]	172.2 [50.5]	166.2 [48.7]	160.2 [46.9]	167.3 [49.0]	161.4 [47.3]	155.5 [45.6]
		Sens BTUH [kW]	113.4 [33.2]	97.4 [28.5]	82.6 [24.2]	131.0 [38.4]	113.8 [33.3]	97.7 [28.6]	147.4 [43.2]	128.9 [37.8]	111.5 [32.7]
		Power	10.2	10.0	9.9	10.1	9.9	9.8	10.0	9.9	9.7
	80 [26.7]	Total BTUH [kW]	175.0 [51.3]	168.9 [49.5]	162.8 [47.7]	167.6 [49.1]	161.8 [47.4]	155.9 [45.7]	162.7 [47.7]	157.0 [46.0]	151.3 [44.3]
		Sens BTUH [kW]	110.9 [32.5]	95.3 [27.9]	80.9 [23.7]	128.5 [37.7]	111.7 [32.7]	95.9 [28.1]	144.9 [42.5]	126.8 [37.2]	109.8 [32.2]
		Power	10.6	10.4	10.3	10.5	10.4	10.2	10.4	10.3	10.1
	85 [29.4]	Total BTUH [kW]	170.5 [50.0]	164.5 [48.2]	158.5 [46.4]	163.1 [47.8]	157.4 [46.1]	151.6 [44.4]	158.1 [46.3]	152.5 [44.7]	147.0 [43.1]
		Sens BTUH [kW]	108.5 [31.8]	93.2 [27.3]	79.1 [23.2]	126.1 [36.9]	109.6 [32.1]	94.1 [27.6]	142.4 [41.7]	124.6 [36.5]	108.0 [31.6]
		Power	11.1	10.9	10.7	11.0	10.8	10.6	10.9	10.7	10.5
	90 [32.2]	Total BTUH [kW]	165.9 [48.6]	160.1 [46.9]	154.3 [45.2]	158.5 [46.4]	153.0 [44.8]	147.4 [43.2]	153.5 [45.0]	148.1 [43.4]	142.8 [41.8]
		Sens BTUH [kW]	105.8 [31.0]	91.0 [26.7]	77.2 [22.6]	123.4 [36.2]	107.4 [31.5]	92.3 [27.0]	139.7 [40.9]	122.4 [35.9]	106.2 [31.1]
		Power	11.6	11.4	11.2	11.5	11.3	11.1	11.4	11.2	11
95 [35]	Total BTUH [kW]	161.4 [47.3]	155.7 [45.6]	150.0 [43.9]	154.0 [45.1]	148.6 [43.5]	143.2 [42.0]	149.0 [43.7]	143.8 [42.1]	138.5 [40.6]	
	Sens BTUH [kW]	103.3 [30.3]	88.8 [26.0]	75.3 [22.1]	120.9 [35.4]	105.2 [30.8]	90.5 [26.5]	137.2 [40.2]	120.3 [35.2]	104.3 [30.6]	
	Power	12.1	11.9	11.6	12	11.8	11.6	11.9	11.7	11.5	
100 [37.8]	Total BTUH [kW]	156.8 [45.9]	151.3 [44.3]	145.8 [42.7]	149.4 [43.8]	144.2 [42.3]	139.0 [40.7]	144.5 [42.3]	139.4 [40.8]	134.3 [39.3]	
	Sens BTUH [kW]	100.6 [29.5]	86.5 [25.3]	73.4 [21.5]	118.2 [34.6]	102.9 [30.1]	88.6 [26.0]	134.6 [39.4]	118.0 [34.6]	102.4 [30.0]	
	Power	12.6	12.4	12.2	12.5	12.3	12.1	12.4	12.2	12.0	
105 [40.6]	Total BTUH [kW]	152.3 [44.6]	147.0 [43.1]	141.6 [41.5]	144.9 [42.5]	139.8 [41.0]	134.8 [39.5]	139.9 [41.0]	135.0 [39.6]	130.1 [38.1]	
	Sens BTUH [kW]	98.0 [28.7]	84.3 [24.7]	71.5 [20.9]	115.6 [33.9]	100.6 [29.5]	86.7 [25.4]	131.9 [38.6]	115.7 [33.9]	100.5 [29.4]	
	Power	13.2	13.0	12.7	13.1	12.9	12.6	13.0	12.8	12.5	
110 [43.3]	Total BTUH [kW]	147.8 [43.3]	142.6 [41.8]	137.4 [40.3]	140.4 [41.1]	135.5 [39.7]	130.6 [38.3]	135.4 [39.7]	130.7 [38.3]	125.9 [36.9]	
	Sens BTUH [kW]	95.3 [27.9]	82.0 [24.0]	69.6 [20.4]	112.9 [33.1]	98.4 [28.8]	84.8 [24.8]	129.2 [37.9]	113.5 [33.3]	98.6 [28.9]	
	Power	13.8	13.5	13.3	13.7	13.5	13.2	13.6	13.4	13.1	
115 [46.1]	Total BTUH [kW]	143.3 [42.0]	138.3 [40.5]	133.3 [39.1]	135.9 [39.8]	131.2 [38.4]	126.4 [37.0]	130.9 [38.4]	126.4 [37.0]	121.8 [35.7]	
	Sens BTUH [kW]	92.6 [27.1]	79.7 [23.4]	67.7 [19.8]	110.1 [32.3]	96.0 [28.1]	82.7 [24.2]	126.4 [37.0]	111.1 [32.6]	96.6 [28.3]	
	Power	14.4	14.2	13.9	14.3	14.1	13.8	14.2	14.0	13.7	

DR —Depression ratio
dbE —Entering air dry bulb
wbE —Entering air wet bulb

Total —Total capacity x 1000 BTUH
Sens —Sensible capacity x 1000 BTUH
Power —KW input

NOTES: ① When the entering air dry bulb is other than 80°F [27°C], adjust the sensible capacity from the table by adding [1.10 x CFM x (1 – DR) x (dbE – 80)].

[] Designates Metric Conversions

COOLING PERFORMANCE DATA — RGEDZT090A

WBE		ENTERING INDOOR AIR @ 80°F [26.7°C] dbE ①												
		71°F [21.7°C]		67°F [19.4°C]		63°F [17.2°C]		61°F [16.1°C]		59°F [15.0°C]				
CFM [L/s]	DR ①	3600 [1699]	2775 [1310]	2400 [1133]	3600 [1699]	2775 [1310]	2400 [1133]	3600 [1699]	2775 [1310]	2400 [1133]	3600 [1699]	2775 [1310]	2400 [1133]	
75 [23.9]	Total BTUH [kW]	119.6 [35.0]	113.5 [33.2]	110.7 [32.4]	112.7 [33.0]	107.8 [31.6]	102.3 [30.0]	99.8 [29.2]	106.4 [31.2]	100.9 [29.6]	98.8 [28.8]	105.8 [31.0]	100.4 [29.4]	
	Sens BTUH [kW]	70.3 [20.6]	61.8 [18.1]	57.9 [17.0]	83.3 [24.4]	73.2 [21.4]	68.5 [20.1]	84.3 [24.7]	79 [23.2]	102.2 [29.9]	89.7 [26.3]	84.1 [24.6]	94.9 [27.8]	88.9 [26.1]
	Power	5.2	5.1	5	5.1	4.9	4.9	5.1	4.9	5	4.9	4.9	5	4.9
80 [26.7]	Total BTUH [kW]	116.1 [34.0]	110.1 [32.3]	107.4 [31.5]	109.2 [32.0]	104.3 [30.6]	99 [29.0]	96.5 [28.3]	102.9 [30.1]	97.6 [28.6]	95.2 [27.9]	102.3 [30.0]	97.1 [28.4]	
	Sens BTUH [kW]	68.4 [20.1]	60.1 [17.6]	56.3 [16.5]	81.4 [23.9]	71.5 [20.9]	67 [19.6]	82.7 [24.2]	100.3 [29.4]	88.1 [25.8]	82.5 [24.2]	102.3 [30.0]	93.2 [27.3]	87.4 [25.6]
	Power	5.6	5.4	5.4	5.5	5.3	5.3	5.3	5.4	5.3	5.3	5.4	5.3	
85 [29.4]	Total BTUH [kW]	112.6 [33.0]	106.8 [31.3]	104.2 [30.5]	105.7 [31.0]	100.8 [29.5]	95.6 [28.0]	93.3 [27.3]	99.3 [29.1]	94.2 [27.6]	91.9 [26.9]	98.8 [28.9]	93.7 [27.5]	
	Sens BTUH [kW]	66.6 [19.5]	58.5 [17.1]	54.8 [16.0]	79.5 [23.3]	69.8 [20.5]	65.4 [19.2]	81 [23.7]	98.4 [28.8]	86.4 [25.3]	81 [23.7]	98.8 [28.9]	91.6 [26.8]	
	Power	6	5.9	5.8	6	5.8	5.8	5.8	5.9	5.7	5.7	5.9	5.7	
90 [32.2]	Total BTUH [kW]	109 [31.9]	103.4 [30.3]	100.9 [29.6]	102.1 [29.9]	97.8 [28.4]	94.5 [27.7]	92.2 [27.0]	95.8 [28.1]	90.9 [26.6]	88.6 [26.0]	95.2 [27.9]	90.3 [26.5]	
	Sens BTUH [kW]	64.7 [19.0]	56.8 [16.7]	53.2 [15.6]	77.7 [22.8]	68.2 [20.0]	63.9 [18.7]	79.4 [23.3]	95.8 [28.1]	84.8 [24.8]	79.4 [23.3]	95.2 [27.9]	90 [26.4]	
	Power	6.6	6.4	6.3	6.5	6.4	6.3	6.3	6.4	6.3	6.3	6.4	6.2	
95 [35]	Total BTUH [kW]	105.4 [30.9]	100 [29.3]	97.5 [28.6]	98.5 [28.9]	93.5 [27.4]	88.8 [26.0]	86.6 [25.4]	92.2 [27.0]	87.4 [25.6]	85.3 [25.0]	91.6 [26.8]	86.9 [25.5]	
	Sens BTUH [kW]	62.9 [18.4]	55.2 [16.2]	51.7 [15.2]	75.8 [22.2]	66.6 [19.5]	62.4 [18.3]	77.8 [22.8]	92.2 [27.0]	83.2 [24.4]	77.9 [22.8]	91.6 [26.8]	86.9 [25.5]	
	Power	7.2	7	6.9	7.2	7	6.9	6.9	7.1	6.9	6.8	7	6.9	
100 [37.8]	Total BTUH [kW]	101.7 [29.8]	96.5 [28.3]	94.2 [27.6]	94.9 [27.8]	90 [26.4]	87.8 [25.7]	85.4 [25.0]	88.5 [25.9]	84 [24.6]	81.9 [24.0]	88 [25.8]	83.4 [24.5]	
	Sens BTUH [kW]	61 [17.9]	53.6 [15.7]	50.2 [14.7]	74 21-7]	65 [19.0]	60.9 [17.8]	76.2 [22.3]	88.5 [25.9]	81.6 [23.9]	76.4 [22.4]	88 [25.8]	83.4 [24.5]	
	Power	7.9	7.7	7.6	7.9	7.7	7.6	7.6	7.8	7.8	7.5	7.7	7.5	
105 [40.6]	Total BTUH [kW]	98.1 [28.7]	93 [27.3]	90.7 [26.6]	91.2 [26.7]	86.5 [25.4]	84.4 [24.7]	81.9 [24.0]	84.8 [24.9]	80.5 [23.6]	78.5 [23.0]	84.3 [24.7]	79.9 [23.4]	
	Sens BTUH [kW]	59.3 [17.4]	52 [15.2]	48.8 [14.3]	72.2 [21.2]	63.4 [18.6]	59.4 [17.4]	74.6 [21.9]	84.8 [24.9]	80 [23.4]	74.9 [22.0]	84.3 [24.7]	79.9 [23.4]	
	Power	8.7	8.5	8.4	8.6	8.4	8.3	8.4	8.5	8.3	8.2	8.5	8.3	
110 [43.3]	Total BTUH [kW]	94.3 [27.6]	89.5 [26.2]	87.3 [25.6]	87.5 [25.6]	82.6 [24.2]	80.6 [23.7]	78.3 [23.0]	81.1 [23.8]	76.9 [22.5]	75.1 [22.0]	80.5 [23.6]	76.4 [22.4]	
	Sens BTUH [kW]	57.5 [16.8]	50.5 [14.8]	47.3 [13.9]	70.4 [20.6]	61.9 [18.1]	57.9 [17.0]	73 [21.4]	81.1 [23.8]	76.9 [22.5]	73.5 [21.5]	80.5 [23.6]	76.4 [22.4]	
	Power	9.5	9.3	9.2	9.5	9.2	9.1	9.2	9.4	9.2	9	9.4	9.1	
115 [46.1]	Total BTUH [kW]	90.6 [26.5]	85.9 [25.2]	83.8 [24.6]	83.7 [24.5]	79.4 [23.3]	77.5 [22.7]	74.8 [21.9]	77.3 [22.7]	73.4 [21.5]	71.6 [21.0]	76.8 [22.5]	72.8 [21.3]	
	Sens BTUH [kW]	55.7 [16.3]	48.9 [14.3]	45.8 [13.4]	68.7 [20.1]	60.3 [17.7]	56.5 [16.6]	71.5 [20.9]	77.3 [22.7]	73.4 [21.5]	71.6 [21.0]	76.8 [22.5]	72.8 [21.3]	
	Power	10.5	10.2	10.1	10.4	10.2	10	10.4	10.3	10.3	9.9	10.3	10	
120 [48.9]	Total BTUH [kW]	86.8 [25.4]	82.3 [24.1]	80.3 [23.5]	79.9 [23.4]	75.8 [22.2]	74 [21.7]	71.1 [20.8]	73.5 [21.6]	69.8 [20.4]	68.1 [19.9]	73 [21.4]	69.2 [20.3]	
	Sens BTUH [kW]	54 [15.8]	47.4 [13.9]	44.4 [13.0]	66.9 [19.6]	58.8 [17.2]	55.1 [16.1]	70 [20.5]	73.5 [21.6]	69.8 [20.4]	68.1 [19.9]	73 [21.4]	69.2 [20.3]	
	Power	11.5	11.2	11.1	11.4	11.1	11	11.4	11.3	11.1	10.9	11.3	11	
125 [51.7]	Total BTUH [kW]	82.9 [24.3]	78.7 [23.1]	76.8 [22.5]	76.1 [22.3]	72.2 [21.2]	70.4 [20.6]	67.5 [19.8]	69.7 [20.4]	66.1 [19.4]	64.5 [18.9]	69.1 [20.3]	65.6 [19.2]	
	Sens BTUH [kW]	52.3 [15.3]	45.9 [13.4]	43 [12.6]	65.2 [19.1]	57.3 [16.8]	53.7 [15.7]	67.5 [19.8]	69.7 [20.4]	66.1 [19.4]	64.5 [18.9]	69.1 [20.3]	65.6 [19.2]	
	Power	12.6	12.3	12.1	12.5	12.2	12.1	12.5	12.4	12.4	12	12.4	12.1	

DR —Depression ratio
 dbE —Entering air dry bulb
 wBE —Entering air wet bulb

① When the entering air dry bulb is other than 80°F [27°C], adjust the sensible capacity from the table by adding [1.10 x CFM x (1 - DR) x (dbE - 80)].

[J Designates Metric Conversions

COOLING PERFORMANCE DATA — RGEDZT102A

wBE		ENTERING INDOOR AIR @ 80°F [26.7°C] dbE ①											
		71°F [21.7°C]		67°F [19.4°C]		63°F [17.2°C]		61°F [16.1°C]		59°F [15.0°C]			
CFM [L/s]	DR ①	4100 [1935]	3200 [1510]	2700 [1274]	4100 [1935]	3200 [1510]	2700 [1274]	4100 [1935]	3200 [1510]	2700 [1274]	4100 [1935]	3200 [1510]	2700 [1274]
75 [23.9]	Total BTUH [kW]	129.9 [36.1]	123.6 [36.2]	120.1 [35.2]	122.7 [36.0]	116.7 [34.2]	113.4 [33.2]	118.3 [34.7]	112.5 [33.0]	109.3 [32.0]	117.5 [34.4]	111.8 [32.8]	108.6 [31.8]
	Sens BTUH [kW]	81.3 [23.8]	71.9 [21.1]	66.6 [19.5]	96.4 [28.2]	85.2 [25.0]	79 [23.1]	110.1 [32.3]	97.3 [28.5]	90.2 [26.4]	116.1 [34.0]	102.6 [30.1]	95.2 [27.9]
	Power	6.2	6.1	6	6.1	5.9	5.9	6.1	5.9	5.8	6	5.9	5.8
80 [26.7]	Total BTUH [kW]	125.7 [36.8]	119.5 [35.0]	116.1 [34.0]	118.5 [34.7]	112.7 [33.0]	109.5 [32.1]	114 [33.4]	108.5 [31.8]	105.4 [30.9]	113.3 [33.2]	107.8 [31.6]	104.7 [30.7]
	Sens BTUH [kW]	79.2 [23.2]	70 [20.5]	64.9 [19.0]	94.3 [27.6]	83.3 [24.4]	77.2 [22.6]	108 [31.6]	95.4 [28.0]	88.5 [25.9]	113.3 [33.2]	100.8 [29.5]	93.4 [27.4]
	Power	6.6	6.4	6.3	6.5	6.3	6.2	6.4	6.3	6.2	6.4	6.2	6.2
85 [29.4]	Total BTUH [kW]	121.4 [35.6]	115.5 [33.8]	112.2 [32.9]	114.2 [33.5]	108.7 [31.8]	105.6 [30.9]	109.8 [32.2]	104.4 [30.6]	101.5 [29.7]	109 [31.9]	103.7 [30.4]	100.8 [29.5]
	Sens BTUH [kW]	77 [22.6]	68.1 [20.0]	63.1 [18.5]	92.1 [27.0]	81.4 [23.9]	75.5 [22.1]	105.8 [31.0]	93.5 [27.4]	86.7 [25.4]	109 [31.9]	98.9 [29.0]	91.7 [26.9]
	Power	6.9	6.8	6.7	6.9	6.7	6.6	6.8	6.6	6.6	6.8	6.6	6.5
90 [32.2]	Total BTUH [kW]	117.1 [34.3]	111.4 [32.7]	108.3 [31.7]	110 [32.2]	104.6 [30.7]	101.6 [29.8]	105.5 [30.9]	100.4 [29.4]	97.5 [28.6]	104.8 [30.7]	99.7 [29.2]	96.8 [28.4]
	Sens BTUH [kW]	74.9 [21.9]	66.2 [19.4]	61.4 [18.0]	89.9 [26.4]	79.5 [23.3]	73.7 [21.6]	103.6 [30.4]	91.6 [26.8]	84.9 [24.9]	104.8 [30.7]	97 [28.4]	89.9 [26.3]
	Power	7.4	7.2	7.1	7.3	7.1	7	7.2	7.1	7	7.2	7	6.9
95 [35]	Total BTUH [kW]	112.9 [33.1]	107.4 [31.5]	104.3 [30.6]	105.7 [31.0]	100.5 [29.5]	97.7 [28.6]	101.2 [29.7]	96.3 [28.2]	93.6 [27.4]	100.5 [29.4]	95.6 [28.0]	92.9 [27.2]
	Sens BTUH [kW]	72.6 [21.3]	64.2 [18.8]	59.5 [17.4]	87.7 [25.7]	77.5 [22.7]	71.9 [21.1]	101.2 [29.7]	89.7 [26.3]	83.1 [24.4]	100.5 [29.4]	95 [27.8]	88.1 [25.8]
	Power	7.8	7.6	7.5	7.7	7.6	7.4	7.7	7.5	7.4	7.6	7.5	7.4
100 [37.8]	Total BTUH [kW]	108.6 [31.8]	103.3 [30.3]	100.4 [29.4]	101.4 [29.7]	96.5 [28.1]	93.7 [27.5]	97 [28.4]	92.2 [27.0]	89.6 [26.3]	96.2 [28.2]	91.5 [26.8]	88.9 [26.1]
	Sens BTUH [kW]	70.4 [20.6]	62.2 [18.2]	57.7 [16.9]	85.5 [25.0]	75.5 [22.1]	70 [20.5]	97 [28.4]	87.7 [25.7]	81.3 [23.8]	96.2 [28.2]	91.5 [26.8]	86.2 [25.3]
	Power	8.3	8.1	8	8.2	8	7.9	8.2	8	7.8	8.1	7.9	7.8
105 [40.6]	Total BTUH [kW]	104.3 [30.6]	99.2 [29.1]	96.4 [28.2]	97.1 [28.4]	92.4 [27.1]	89.7 [26.3]	92.7 [27.2]	88.1 [25.8]	85.6 [25.1]	91.9 [26.9]	87.4 [25.6]	84.9 [24.9]
	Sens BTUH [kW]	68.1 [20.0]	60.2 [17.6]	55.8 [16.4]	83.2 [24.4]	73.5 [21.5]	68.1 [20.0]	92.7 [27.2]	85.6 [25.1]	79.4 [23.3]	91.9 [26.9]	87.4 [25.6]	84.9 [24.7]
	Power	8.8	8.6	8.5	8.7	8.5	8.4	8.7	8.5	8.3	8.6	8.4	8.3
110 [43.3]	Total BTUH [kW]	99.9 [29.3]	95.1 [27.9]	92.4 [27.1]	92.8 [27.2]	88.2 [25.9]	85.7 [25.1]	88.3 [25.9]	84 [24.6]	81.6 [23.9]	87.6 [25.7]	83.3 [24.4]	80.9 [23.7]
	Sens BTUH [kW]	65.8 [19.3]	58.1 [17.0]	53.9 [15.8]	80.8 [23.7]	71.4 [20.9]	66.2 [19.4]	88.3 [25.9]	83.6 [24.5]	77.5 [22.7]	87.6 [25.7]	83.3 [24.4]	80.9 [23.7]
	Power	9.3	9.1	9	9.3	9	8.9	9.2	9	8.9	9.2	9	8.8
115 [46.1]	Total BTUH [kW]	95.6 [28.0]	91 [26.7]	88.4 [25.9]	88.4 [25.9]	84.1 [24.7]	81.7 [24.0]	84 [24.6]	79.9 [23.4]	77.6 [22.8]	83.2 [24.4]	79.2 [23.2]	76.9 [22.5]
	Sens BTUH [kW]	63.4 [18.6]	56 [16.4]	51.9 [15.2]	78.4 [23.0]	69.3 [20.3]	64.3 [18.8]	84 [24.6]	79.9 [23.4]	75.5 [22.1]	83.2 [24.4]	79.2 [23.2]	76.9 [22.5]
	Power	9.9	9.7	9.5	9.8	9.6	9.5	9.8	9.5	9.4	9.7	9.5	9.4
120 [48.9]	Total BTUH [kW]	91.3 [26.7]	86.8 [25.4]	84.4 [24.7]	84.1 [24.6]	80 [23.4]	77.7 [22.8]	79.6 [23.3]	75.8 [22.2]	73.6 [21.6]	76.9 [23.1]	75 [22.0]	72.9 [21.4]
	Sens BTUH [kW]	61 [17.9]	53.9 [15.8]	50 [14.6]	76 [22.3]	67.2 [19.7]	62.3 [18.3]	79.6 [23.3]	75.8 [22.2]	73.5 [21.6]	76.9 [23.1]	75 [22.0]	72.9 [21.4]
	Power	10.5	10.3	10.1	10.5	10.2	10.1	10.4	10.1	10	10.4	10.1	10
125 [51.7]	Total BTUH [kW]	86.9 [25.5]	82.7 [24.2]	80.3 [23.5]	79.7 [23.4]	75.8 [22.2]	73.7 [21.6]	75.3 [22.1]	71.6 [21.0]	69.6 [20.4]	74.5 [21.8]	70.9 [20.8]	68.9 [20.2]
	Sens BTUH [kW]	58.5 [17.1]	51.7 [15.2]	48 [14.1]	73.6 [21.6]	65 [19.1]	60.3 [17.7]	75.3 [22.1]	71.6 [21.0]	69.6 [20.4]	74.5 [21.8]	70.9 [20.8]	68.9 [20.2]
	Power	11.2	10.9	10.7	11.1	10.8	10.7	11	10.8	10.6	11	10.7	10.6

OUTDOOR DRY BULB TEMPERATURE °F [°C]

DR —Depression ratio
 dbE —Entering air dry bulb
 wBE —Entering air wet bulb
 Total —Total capacity x 1000 BTUH
 Sens —Sensible capacity x 1000 BTUH
 Power —KW input
 NOTES: ① When the entering air dry bulb is other than 80°F [27°C], adjust the sensible capacity from the table by adding [1.10 x CFM x (1 - DR) x (dbE - 80)].
 [] Designates Metric Conversions

COOLING PERFORMANCE DATA — RGEDZT120A

wB/E		ENTERING INDOOR AIR @ 80°F [26.7°C] dbE ①														
		71°F [21.7°C]			67°F [19.4°C]			63°F [17.2°C]			61°F [16.1°C]			59°F [15.0°C]		
CFM [L/s]		4800 [2265]	3750 [1770]	3200 [1510]	4800 [2265]	3750 [1770]	3200 [1510]	4800 [2265]	3750 [1770]	3200 [1510]	4800 [2265]	3750 [1770]	3200 [1510]	4800 [2265]	3750 [1770]	3200 [1510]
DR ①		0.09	0.03	0	0.09	0.03	0	0.09	0.03	0	0.09	0.03	0	0.09	0.03	0
75 [23.9]	Total BTUH [kW]	155.3 [45.5]	147.8 [43.3]	143.8 [42.2]	147.8 [43.3]	140.7 [41.2]	136.9 [40.1]	142.8 [41.8]	135.8 [39.8]	132.2 [38.7]	141.5 [41.5]	134.7 [39.5]	131.1 [38.4]	141.4 [41.4]	134.5 [39.4]	130.9 [38.4]
	Sens BTUH [kW]	97.3 [28.5]	86.1 [25.2]	80.2 [23.5]	115.8 [33.9]	102.4 [30.0]	95.4 [28.0]	132.9 [38.9]	117.5 [34.4]	109.5 [32.1]	140.6 [41.2]	124.3 [36.4]	115.8 [33.9]	141.4 [41.4]	130.4 [38.2]	121.4 [35.6]
	Power	7.5	7.3	7.2	7.4	7.2	7.1	7.3	7.1	7.1	7	7.2	7.1	7	7.2	7
80 [26.7]	Total BTUH [kW]	150.6 [44.1]	143.4 [42.0]	139.5 [40.9]	143.2 [42.0]	136.2 [39.9]	132.6 [38.9]	138.1 [40.5]	131.4 [38.5]	127.9 [37.5]	136.9 [40.1]	130.2 [38.2]	126.8 [37.1]	136.7 [40.1]	130.1 [38.1]	126.6 [37.1]
	Sens BTUH [kW]	94.9 [27.8]	84 [24.6]	78.2 [22.9]	113.5 [33.2]	100.3 [29.4]	93.5 [27.4]	130.5 [38.2]	115.4 [33.8]	107.5 [31.5]	136.9 [40.1]	122.2 [35.8]	113.8 [33.4]	136.7 [40.1]	128.3 [37.6]	119.5 [35.0]
	Power	7.9	7.7	7.6	7.8	7.6	7.5	7.7	7.5	7.4	7.7	7.5	7.4	7.6	7.4	7.3
85 [29.4]	Total BTUH [kW]	146 [42.8]	138.9 [40.7]	135.2 [39.6]	138.5 [40.6]	131.8 [38.6]	128.3 [37.6]	133.5 [39.1]	127 [37.2]	123.6 [36.2]	132.2 [38.7]	125.8 [36.9]	122.5 [35.9]	132.1 [38.7]	125.7 [36.8]	122.3 [35.9]
	Sens BTUH [kW]	92.5 [27.1]	81.8 [24.0]	76.2 [22.3]	111 [32.5]	98.2 [28.8]	91.5 [26.8]	128.1 [37.5]	113.3 [33.2]	105.5 [30.9]	132.2 [38.7]	120.1 [35.2]	111.9 [32.8]	132.1 [38.7]	125.7 [36.8]	117.5 [34.4]
	Power	8.3	8.1	8	8.2	8	7.9	8.2	8	7.9	8.1	7.9	7.8	8.1	7.9	7.8
90 [32.2]	Total BTUH [kW]	141.4 [41.4]	134.5 [39.4]	131 [38.4]	133.9 [39.2]	127.4 [37.3]	124 [36.3]	128.8 [37.8]	122.6 [35.9]	119.3 [35.0]	127.6 [37.4]	121.4 [35.6]	118.2 [34.6]	127.5 [37.4]	121.3 [35.5]	118.1 [34.6]
	Sens BTUH [kW]	90.1 [26.4]	79.7 [23.3]	74.2 [21.7]	108.6 [31.8]	96 [28.1]	89.5 [26.2]	125.6 [36.8]	111.1 [32.6]	103.5 [30.3]	127.6 [37.4]	117.9 [34.5]	109.8 [32.2]	127.5 [37.4]	121.3 [35.5]	115.5 [33.8]
	Power	8.8	8.6	8.5	8.7	8.5	8.4	8.6	8.4	8.3	8.6	8.4	8.3	8.5	8.3	8.2
95 [35]	Total BTUH [kW]	136.8 [40.1]	130.2 [38.1]	126.7 [37.1]	129.3 [37.9]	123 [36.1]	119.7 [35.1]	124.2 [36.4]	118.2 [34.6]	115.1 [33.7]	123 [36.0]	117 [34.3]	113.9 [33.4]	122.9 [36.0]	116.9 [34.3]	113.8 [33.3]
	Sens BTUH [kW]	87.6 [25.7]	77.5 [22.7]	72.2 [21.1]	106.1 [31.1]	93.8 [27.5]	87.4 [25.6]	123.1 [36.1]	108.9 [31.9]	101.5 [29.7]	123 [36.0]	115.7 [33.9]	107.8 [31.6]	122.9 [36.0]	116.9 [34.3]	113.4 [33.2]
	Power	9.3	9.1	9	9.2	9	8.9	9.1	8.9	8.8	9.1	8.9	8.8	9.1	8.8	8.7
100 [37.8]	Total BTUH [kW]	132.2 [38.7]	125.8 [36.9]	122.4 [35.9]	124.7 [36.5]	118.7 [34.8]	115.5 [33.8]	119.6 [35.1]	113.8 [33.4]	110.8 [32.5]	118.4 [34.7]	112.7 [33.0]	109.7 [32.1]	118.3 [34.7]	112.5 [33.0]	109.5 [32.1]
	Sens BTUH [kW]	85.1 [24.9]	75.2 [22.0]	70.1 [20.5]	103.6 [30.3]	91.6 [26.8]	85.3 [25.0]	119.6 [35.1]	106.7 [31.3]	99.4 [29.1]	118.4 [34.7]	112.7 [33.0]	105.7 [31.0]	118.3 [34.7]	112.5 [33.0]	109.5 [32.1]
	Power	9.9	9.6	9.5	9.8	9.5	9.4	9.7	9.5	9.3	9.6	9.4	9.3	9.6	9.4	9.2
105 [40.6]	Total BTUH [kW]	127.6 [37.4]	121.4 [35.6]	118.2 [34.6]	120.1 [35.2]	114.3 [33.5]	111.2 [32.6]	115.1 [33.7]	109.5 [32.1]	106.6 [31.2]	113.8 [33.4]	108.3 [31.7]	105.4 [30.9]	113.7 [33.3]	108.2 [31.7]	105.3 [30.9]
	Sens BTUH [kW]	82.5 [24.2]	73 [21.4]	68 [19.9]	101 [29.6]	89.3 [26.2]	83.2 [24.4]	115.1 [33.7]	104.4 [30.6]	97.3 [28.5]	113.8 [33.4]	108.3 [31.7]	103.6 [30.4]	113.7 [33.3]	108.2 [31.7]	105.3 [30.9]
	Power	10.5	10.2	10.1	10.4	10.1	10	10.3	10	9.9	10.2	10	9.8	10.2	9.9	9.8
110 [43.3]	Total BTUH [kW]	123 [36.1]	117.1 [34.3]	114 [33.4]	115.5 [33.9]	109.9 [32.2]	107 [31.4]	110.5 [32.4]	105.1 [30.8]	102.3 [30.0]	109.3 [32.0]	104 [30.5]	101.2 [29.7]	109.1 [32.0]	103.8 [30.4]	101.1 [29.6]
	Sens BTUH [kW]	79.9 [23.4]	70.6 [20.7]	65.8 [19.3]	98.4 [28.8]	87 [25.5]	81.1 [23.8]	110.5 [32.4]	102.1 [29.9]	95.1 [27.9]	109.3 [32.0]	104 [30.5]	101.2 [29.7]	109.1 [32.0]	103.8 [30.4]	101.1 [29.6]
	Power	11.1	10.8	10.7	11	10.7	10.6	10.9	10.6	10.5	10.8	10.6	10.4	10.8	10.5	10.4
115 [46.1]	Total BTUH [kW]	118.5 [34.7]	112.7 [33.0]	109.7 [32.2]	111 [32.5]	105.6 [31.0]	102.8 [30.1]	105.9 [31.0]	100.8 [29.5]	98.1 [28.8]	104.7 [30.7]	99.6 [29.2]	97 [28.4]	104.6 [30.6]	99.5 [29.2]	96.8 [28.4]
	Sens BTUH [kW]	77.2 [22.6]	68.3 [20.0]	63.6 [18.6]	95.7 [28.1]	84.7 [24.8]	78.9 [23.1]	105.9 [31.0]	99.8 [29.2]	92.9 [27.2]	104.7 [30.7]	99.6 [29.2]	97 [28.4]	104.6 [30.6]	99.5 [29.2]	96.8 [28.4]
	Power	11.7	11.4	11.3	11.6	11.3	11.2	11.5	11.2	11.1	11.5	11.2	11.1	11.4	11.2	11
120 [48.9]	Total BTUH [kW]	113.9 [33.4]	108.4 [31.8]	105.5 [30.9]	106.5 [31.2]	101.3 [29.7]	98.6 [28.9]	101.4 [29.7]	96.5 [28.3]	93.9 [27.5]	100.2 [29.4]	95.3 [27.9]	92.8 [27.2]	100 [29.3]	95.2 [27.9]	92.6 [27.1]
	Sens BTUH [kW]	74.5 [21.8]	65.9 [19.3]	61.4 [18.0]	93 [27.3]	82.3 [24.1]	76.7 [22.5]	101.4 [29.7]	96.5 [28.3]	90.7 [26.6]	100.2 [29.4]	95.3 [27.9]	92.8 [27.2]	100 [29.3]	95.2 [27.9]	92.6 [27.1]
	Power	12.4	12.1	11.9	12.3	12	11.8	12.2	11.9	11.7	12.1	11.9	11.7	12.1	11.8	11.7
125 [51.7]	Total BTUH [kW]	109.4 [32.1]	104.1 [30.5]	101.3 [29.7]	101.9 [29.9]	97 [28.4]	94.4 [27.7]	96.9 [28.4]	92.2 [27.0]	89.7 [26.3]	95.6 [28.0]	91 [26.7]	88.6 [26.0]	95.5 [28.0]	90.9 [26.6]	88.5 [25.9]
	Sens BTUH [kW]	71.8 [21.0]	63.5 [18.6]	59.2 [17.3]	90.3 [26.5]	79.9 [23.4]	74.4 [21.8]	96.9 [28.4]	92.2 [27.0]	88.5 [25.9]	95.6 [28.0]	91 [26.7]	88.6 [26.0]	95.5 [28.0]	90.9 [26.6]	88.5 [25.9]
	Power	13.1	12.8	12.6	13	12.7	12.5	12.9	12.6	12.4	12.9	12.5	12.4	12.8	12.5	12.3

DR —Depression ratio
 dbE —Entering air dry bulb
 wB/E —Entering air wet bulb

① Total capacity x 1000 BTUH
 —Sensible capacity x 1000 BTUH
 Power —KW input

NOTES: ① When the entering air dry bulb is other than 80°F [27°C], adjust the sensible capacity from the table by adding [1.10 x CFM x (1 - DR) x (dbE - 80)].

[J Designates Metric Conversions

COOLING PERFORMANCE DATA – RGEDZT150A

ENTERING INDOOR AIR @ 80°F [26.7°C] dbE ①											
wbE		71°F [21.7°C]			67°F [19.4°C]			63°F [17.2°C]			
CFM [L/s]		4500 [2124]	3750 [1770]	3000 [1416]	4500 [2124]	3750 [1770]	3000 [1416]	4500 [2124]	3750 [1770]	3000 [1416]	
DR ①		0	0.01	0.09	0	0.01	0.09	0	0.01	0.09	
OUTDOOR DRY BULB TEMPERATURE °F [°C]	75 [23.9]	Total BTUH [kW]	179.6 [52.6]	173.3 [50.8]	167.0 [48.9]	172.2 [50.5]	166.2 [48.7]	160.2 [46.9]	167.3 [49.0]	161.4 [47.3]	155.5 [45.6]
		Sens BTUH [kW]	113.4 [33.2]	97.4 [28.5]	82.6 [24.2]	131.0 [38.4]	113.8 [33.3]	97.7 [28.6]	147.4 [43.2]	128.9 [37.8]	111.5 [32.7]
		Power	10.2	10.0	9.9	10.1	9.9	9.8	10.0	9.9	9.7
	80 [26.7]	Total BTUH [kW]	175.0 [51.3]	168.9 [49.5]	162.8 [47.7]	167.6 [49.1]	161.8 [47.4]	155.9 [45.7]	162.7 [47.7]	157.0 [46.0]	151.3 [44.3]
		Sens BTUH [kW]	110.9 [32.5]	95.3 [27.9]	80.9 [23.7]	128.5 [37.7]	111.7 [32.7]	95.9 [28.1]	144.9 [42.5]	126.8 [37.2]	109.8 [32.2]
		Power	10.6	10.4	10.3	10.5	10.4	10.2	10.4	10.3	10.1
	85 [29.4]	Total BTUH [kW]	170.5 [50.0]	164.5 [48.2]	158.5 [46.4]	163.1 [47.8]	157.4 [46.1]	151.6 [44.4]	158.1 [46.3]	152.5 [44.7]	147.0 [43.1]
		Sens BTUH [kW]	108.5 [31.8]	93.2 [27.3]	79.1 [23.2]	126.1 [36.9]	109.6 [32.1]	94.1 [27.6]	142.4 [41.7]	124.6 [36.5]	108.0 [31.6]
		Power	11.1	10.9	10.7	11.0	10.8	10.6	10.9	10.7	10.5
	90 [32.2]	Total BTUH [kW]	165.9 [48.6]	160.1 [46.9]	154.3 [45.2]	158.5 [46.4]	153.0 [44.8]	147.4 [43.2]	153.5 [45.0]	148.1 [43.4]	142.8 [41.8]
		Sens BTUH [kW]	105.8 [31.0]	91.0 [26.7]	77.2 [22.6]	123.4 [36.2]	107.4 [31.5]	92.3 [27.0]	139.7 [40.9]	122.4 [35.9]	106.2 [31.1]
		Power	11.6	11.4	11.2	11.5	11.3	11.1	11.4	11.2	11.0
95 [35]	Total BTUH [kW]	161.4 [47.3]	155.7 [45.6]	150.0 [43.9]	154.0 [45.1]	148.6 [43.5]	143.2 [42.0]	149.0 [43.7]	143.8 [42.1]	138.5 [40.6]	
	Sens BTUH [kW]	103.3 [30.3]	88.8 [26.0]	75.3 [22.1]	120.9 [35.4]	105.2 [30.8]	90.5 [26.5]	137.2 [40.2]	120.3 [35.2]	104.3 [30.6]	
	Power	12.1	11.9	11.6	12.0	11.8	11.6	11.9	11.7	11.5	
100 [37.8]	Total BTUH [kW]	156.8 [45.9]	151.3 [44.3]	145.8 [42.7]	149.4 [43.8]	144.2 [42.3]	139.0 [40.7]	144.5 [42.3]	139.4 [40.8]	134.3 [39.3]	
	Sens BTUH [kW]	100.6 [29.5]	86.5 [25.3]	73.4 [21.5]	118.2 [34.6]	102.9 [30.1]	88.6 [26.0]	134.6 [39.4]	118.0 [34.6]	102.4 [30.0]	
	Power	12.6	12.4	12.2	12.5	12.3	12.1	12.4	12.2	12.0	
105 [40.6]	Total BTUH [kW]	152.3 [44.6]	147.0 [43.1]	141.6 [41.5]	144.9 [42.5]	139.8 [41.0]	134.8 [39.5]	139.9 [41.0]	135.0 [39.6]	130.1 [38.1]	
	Sens BTUH [kW]	98.0 [28.7]	84.3 [24.7]	71.5 [20.9]	115.6 [33.9]	100.6 [29.5]	86.7 [25.4]	131.9 [38.6]	115.7 [33.9]	100.5 [29.4]	
	Power	13.2	13.0	12.7	13.1	12.9	12.6	13	12.8	12.5	
110 [43.3]	Total BTUH [kW]	147.8 [43.3]	142.6 [41.8]	137.4 [40.3]	140.4 [41.1]	135.5 [39.7]	130.6 [38.3]	135.4 [39.7]	130.7 [38.3]	125.9 [36.9]	
	Sens BTUH [kW]	95.3 [27.9]	82.0 [24.0]	69.6 [20.4]	112.9 [33.1]	98.4 [28.8]	84.8 [24.8]	129.2 [37.9]	113.5 [33.3]	98.6 [28.9]	
	Power	13.8	13.5	13.3	13.7	13.5	13.2	13.6	13.4	13.1	
115 [46.1]	Total BTUH [kW]	143.3 [42.0]	138.3 [40.5]	133.3 [39.1]	135.9 [39.8]	131.2 [38.4]	126.4 [37.0]	130.9 [38.4]	126.4 [37.0]	121.8 [35.7]	
	Sens BTUH [kW]	92.6 [27.1]	79.7 [23.4]	67.7 [19.8]	110.1 [32.3]	96.0 [28.1]	82.7 [24.2]	126.4 [37.0]	111.1 [32.6]	96.6 [28.3]	
	Power	14.4	14.2	13.9	14.3	14.1	13.8	14.2	14.0	13.7	

DR —Depression ratio
 dbE —Entering air dry bulb
 wbE —Entering air wet bulb

Total —Total capacity x 1000 BTUH
 Sens —Sensible capacity x 1000 BTUH
 Power —kW input

NOTES: ① When the entering air dry bulb is other than 80°F [27°C], adjust the sensible capacity from the table by adding [1.10 x CFM x (1 – DR) x (dbE – 80)].

[] Designates Metric Conversions

GROSS SYSTEMS PERFORMANCE DATA (LOW REHEAT MODE) – RGEDZS090

ENTERING INDOOR AIR @ 75°F [23.9°C] dbE ①											
wbE		65.3°F [18.5°C]			64°F [17.8°C]			62.5°F [16.9°C]			
CFM [L/s]		1800 [850]	1700 [802]	1200 [566]	1800 [850]	1700 [802]	1200 [566]	1800 [850]	1700 [802]	1200 [566]	
OUTDOOR DRY BULB TEMPERATURE °F [°C]	60 [15.6]	Total BTUH [kW]	29.7 [8.7]	29.4 [8.6]	27.9 [8.2]	27.0 [7.9]	26.7 [7.8]	25.3 [7.4]	26.6 [7.8]	26.4 [7.7]	24.9 [7.3]
		Sens BTUH [kW]	6.5 [1.9]	6.3 [1.8]	5.4 [1.6]	9.0 [2.6]	8.7 [2.6]	7.5 [2.2]	11.4 [3.4]	11.1 [3.3]	9.6 [2.8]
		Power	3.2	3.1	3.1	3.2	3.2	3.1	3.2	3.2	3.2
	65 [18.3]	Total BTUH [kW]	29.5 [8.6]	29.2 [8.5]	27.6 [8.1]	26.7 [7.8]	26.4 [7.7]	25.0 [7.3]	26.4 [7.7]	26.1 [7.6]	24.7 [7.2]
		Sens BTUH [kW]	5.0 [1.5]	4.9 [1.4]	4.2 [1.2]	7.6 [2.2]	7.4 [2.2]	6.3 [1.9]	10.0 [2.9]	9.7 [2.9]	8.4 [2.5]
		Power	3.2	3.2	3.1	3.3	3.2	3.2	3.2	3.2	3.1
	70 [21.1]	Total BTUH [kW]	28.8 [8.4]	28.5 [8.4]	27.0 [7.9]	26.0 [7.6]	25.8 [7.6]	24.4 [7.1]	25.7 [7.5]	25.4 [7.5]	24.1 [7.1]
Sens BTUH [kW]		3.7 [1.1]	3.6 [1.0]	3.1 [0.9]	6.2 [1.8]	6.0 [1.8]	5.2 [1.5]	8.6 [2.5]	8.4 [2.5]	7.2 [2.1]	
Power		3.2	3.2	3.1	3.3	3.3	3.2	3.3	3.3	3.2	
75 [23.9]	Total BTUH [kW]	27.8 [8.1]	27.5 [8.1]	26.0 [7.6]	25.0 [7.3]	24.7 [7.2]	23.4 [6.9]	24.7 [7.2]	24.4 [7.2]	23.1 [6.8]	
	Sens BTUH [kW]	2.3 [0.7]	2.3 [0.7]	2.0 [0.6]	4.9 [1.4]	4.7 [1.4]	4.1 [1.2]	7.3 [2.1]	7.1 [2.1]	6.1 [1.8]	
	Power	3.3	3.3	3.2	3.4	3.4	3.3	3.4	3.4	3.3	
80 [26.7]	Total BTUH [kW]	26.3 [7.7]	26.0 [7.6]	24.6 [7.2]	23.5 [6.9]	23.3 [6.8]	22.1 [6.5]	23.2 [6.8]	23.0 [6.7]	21.7 [6.4]	
	Sens BTUH [kW]	1.1 [0.3]	1.0 [0.3]	0.9 [0.3]	3.6 [1.0]	3.5 [1.0]	3.0 [0.9]	6.0 [1.8]	5.9 [1.7]	5.1 [1.5]	
	Power	3.4	3.4	3.3	3.5	3.5	3.4	3.5	3.5	3.4	
85 [29.4]	Total BTUH [kW]	24.5 [7.2]	24.2 [7.1]	22.9 [6.7]	21.7 [6.4]	21.5 [6.3]	20.3 [6.0]	21.4 [6.3]	21.1 [6.2]	20.0 [5.9]	
	Sens BTUH [kW]	-0.2 [-0.1]	-0.2 [0.0]	-0.1 [0.0]	2.4 [0.7]	2.3 [0.7]	2.0 [0.6]	4.8 [1.4]	4.7 [1.4]	4.0 [1.2]	
	Power	3.6	3.6	3.5	3.7	3.6	3.6	3.6	3.6	3.5	
90 [32.2]	Total BTUH [kW]	22.2 [6.5]	22.0 [6.4]	20.8 [6.1]	19.5 [5.7]	19.3 [5.6]	18.2 [5.3]	19.1 [5.6]	18.9 [5.5]	17.9 [5.3]	
	Sens BTUH [kW]	-1.3 [-0.4]	-1.3 [-0.4]	-1.1 [-0.3]	1.2 [0.3]	1.1 [0.3]	1.0 [0.3]	3.6 [1.1]	3.5 [1.0]	3.0 [0.9]	
	Power	3.8	3.7	3.6	3.8	3.8	3.7	3.8	3.8	3.7	

GROSS SYSTEMS PERFORMANCE DATA (HIGH REHEAT MODE) – RGEDZS090

ENTERING INDOOR AIR @ 75°F [23.9°C] dbE ①											
wbE		65.3°F [18.5°C]			64°F [17.8°C]			62.5°F [16.9°C]			
CFM [L/s]		3600 [1699]	2900 [1369]	2400 [1133]	3600 [1699]	2900 [1369]	2400 [1133]	3600 [1699]	2900 [1369]	2400 [1133]	
OUTDOOR DRY BULB TEMPERATURE °F [°C]	60 [15.6]	Total BTUH [kW]	41.7 [12.2]	39.9 [11.7]	38.7 [11.3]	40.1 [11.8]	38.4 [11.3]	37.2 [10.9]	40.0 [11.7]	38.3 [11.2]	37.1 [10.9]
		Sens BTUH [kW]	8.9 [2.6]	8.0 [2.4]	7.4 [2.2]	12.8 [3.7]	11.5 [3.4]	10.5 [3.1]	18.5 [5.4]	16.7 [4.9]	15.3 [4.5]
		Power	5.0	4.9	4.8	4.9	4.8	4.8	4.9	4.8	4.8
	70 [21.1]	Total BTUH [kW]	39.8 [11.7]	38.1 [11.2]	36.9 [10.8]	38.3 [11.2]	36.7 [10.7]	35.5 [10.4]	38.1 [11.2]	36.5 [10.7]	35.4 [10.4]
		Sens BTUH [kW]	5.9 [1.7]	5.3 [1.6]	4.9 [1.4]	9.8 [2.9]	8.8 [2.6]	8.1 [2.4]	15.5 [4.6]	14.0 [4.1]	12.8 [3.8]
		Power	5.1	5.0	4.9	5.1	5.0	4.9	5.0	4.9	4.9
	80 [26.7]	Total BTUH [kW]	36.7 [10.7]	35.1 [10.3]	34.0 [10.0]	35.1 [10.3]	33.7 [9.9]	32.6 [9.6]	35.0 [10.3]	33.5 [9.8]	32.5 [9.5]
Sens BTUH [kW]		2.1 [0.6]	1.9 [0.5]	1.7 [0.5]	5.9 [1.7]	5.3 [1.6]	4.9 [1.4]	11.7 [3.4]	10.5 [3.1]	9.6 [2.8]	
Power		5.4	5.3	5.2	5.3	5.2	5.1	5.3	5.2	5.1	
90 [32.2]	Total BTUH [kW]	32.3 [9.5]	30.9 [9.1]	30.0 [8.8]	30.8 [9.0]	29.5 [8.6]	28.5 [8.4]	30.6 [9.0]	29.3 [8.6]	28.4 [8.3]	
	Sens BTUH [kW]	-2.7 [-0.8]	-2.4 [-0.7]	-2.2 [-0.6]	1.2 [0.3]	1.0 [0.3]	1.0 [0.3]	6.9 [2.0]	6.2 [1.8]	5.7 [1.7]	
	Power	5.8	5.6	5.6	5.7	5.6	5.5	5.7	5.6	5.5	
100 [37.8]	Total BTUH [kW]	26.7 [7.8]	25.5 [7.5]	24.7 [7.3]	25.1 [7.4]	24.1 [7.1]	23.3 [6.8]	25.0 [7.3]	23.9 [7.0]	23.2 [6.8]	
	Sens BTUH [kW]	-8.3 [-2.4]	-7.4 [-2.2]	-6.8 [-2.0]	-4.4 [-1.3]	-4.0 [-1.2]	-3.7 [-1.1]	1.3 [0.4]	1.2 [0.4]	1.1 [0.3]	
	Power	6.3	6.2	6.1	6.2	6.1	6.0	6.2	6.1	6.0	
110 [43.3]	Total BTUH [kW]	19.8 [5.8]	19.0 [5.6]	18.4 [5.4]	18.3 [5.4]	17.5 [5.1]	17.0 [5.0]	18.1 [5.3]	17.4 [5.1]	16.8 [4.9]	
	Sens BTUH [kW]	-14.7 [-4.3]	-13.2 [-3.9]	-12.2 [-3.6]	-10.9 [-3.2]	-9.8 [-2.9]	-9.0 [-2.6]	-5.1 [-1.5]	-4.6 [-1.4]	-4.2 [-1.2]	
	Power	6.9	6.8	6.7	6.9	6.7	6.6	6.9	6.7	6.6	
120 [48.9]	Total BTUH [kW]	11.7 [3.4]	11.2 [3.3]	10.8 [3.2]	10.1 [3.0]	9.7 [2.8]	9.4 [2.8]	10.0 [2.9]	9.6 [2.8]	9.3 [2.7]	
	Sens BTUH [kW]	-22.1 [-6.5]	-19.8 [-5.8]	-18.2 [-5.3]	-18.2 [-5.3]	-16.4 [-4.8]	-15.1 [-4.4]	-12.5 [-3.7]	-11.2 [-3.3]	-10.3 [-3.0]	
	Power	7.8	7.6	7.5	7.7	7.5	7.4	7.7	7.5	7.4	

GROSS SYSTEMS PERFORMANCE DATA (LOW REHEAT MODE) – RGEDZS102

		ENTERING INDOOR AIR @ 75°F [23.9°C] dbE ①									
wbE		65.3°F [18.5°C]			64°F [17.8°C]			62.5°F [16.9°C]			
CFM [L/s]		2100 [991]	1700 [802]	1400 [661]	2100 [991]	1700 [802]	1400 [661]	2100 [991]	1700 [802]	1400 [661]	
OUTDOOR DRY BULB TEMPERATURE °F [°C]	60 [15.6]	Total BTUH [kW]	36.6 [10.7]	35.1 [10.3]	33.9 [9.9]	34.5 [10.1]	33.1 [9.7]	32.1 [9.4]	31.9 [9.3]	30.6 [9.0]	29.6 [8.7]
		Sens BTUH [kW]	7.1 [2.1]	6.4 [1.9]	5.9 [1.7]	9.0 [2.6]	8.1 [2.4]	7.4 [2.2]	10.7 [3.1]	9.7 [2.8]	8.9 [2.6]
		Power	3.9	3.8	3.7	3.8	3.8	3.7	3.8	3.8	3.7
	65 [18.3]	Total BTUH [kW]	35.5 [10.4]	34.0 [10.0]	32.9 [9.6]	33.4 [9.8]	32.1 [9.4]	31.0 [9.1]	30.8 [9.0]	29.5 [8.6]	28.6 [8.4]
		Sens BTUH [kW]	6.1 [1.8]	5.5 [1.6]	5.0 [1.5]	8.0 [2.3]	7.2 [2.1]	6.6 [1.9]	9.7 [2.8]	8.7 [2.6]	8.0 [2.4]
		Power	3.9	3.8	3.8	3.9	3.8	3.8	3.9	3.8	3.8
	70 [21.1]	Total BTUH [kW]	34.1 [10.0]	32.7 [9.6]	31.7 [9.3]	32.1 [9.4]	30.8 [9.0]	29.8 [8.7]	29.5 [8.6]	28.3 [8.3]	27.4 [8.0]
Sens BTUH [kW]		4.8 [1.4]	4.3 [1.3]	4.0 [1.2]	6.7 [2.0]	6.0 [1.8]	5.5 [1.6]	8.5 [2.5]	7.6 [2.2]	7.0 [2.0]	
Power		4.0	3.9	3.9	4.0	3.9	3.9	4.0	3.9	3.9	
75 [23.9]	Total BTUH [kW]	32.7 [9.6]	31.3 [9.2]	30.3 [8.9]	30.6 [9.0]	29.4 [8.6]	28.4 [8.3]	28.0 [8.2]	26.8 [7.9]	26.0 [7.6]	
	Sens BTUH [kW]	3.3 [1.0]	3.0 [0.9]	2.8 [0.8]	5.2 [1.5]	4.7 [1.4]	4.3 [1.3]	7.0 [2.0]	6.3 [1.8]	5.8 [1.7]	
	Power	4.1	4.0	4.0	4.1	4.0	4.0	4.1	4.0	4.0	
80 [26.7]	Total BTUH [kW]	31.0 [9.1]	29.7 [8.7]	28.8 [8.4]	29.0 [8.5]	27.8 [8.1]	26.9 [7.9]	26.3 [7.7]	25.2 [7.4]	24.4 [7.2]	
	Sens BTUH [kW]	1.7 [0.5]	1.5 [0.4]	1.4 [0.4]	3.6 [1.0]	3.2 [0.9]	2.9 [0.9]	5.3 [1.6]	4.8 [1.4]	4.4 [1.3]	
	Power	4.3	4.2	4.1	4.3	4.2	4.1	4.3	4.2	4.1	
85 [29.4]	Total BTUH [kW]	29.1 [8.5]	27.9 [8.2]	27.0 [7.9]	27.1 [7.9]	26.0 [7.6]	25.1 [7.4]	24.4 [7.2]	23.4 [6.9]	22.7 [6.6]	
	Sens BTUH [kW]	-0.2 [-0.1]	-0.2 [-0.1]	-0.2 [-0.1]	1.7 [0.5]	1.5 [0.4]	1.4 [0.4]	3.4 [1.0]	3.1 [0.9]	2.8 [0.8]	
	Power	4.4	4.3	4.3	4.4	4.3	4.3	4.4	4.3	4.3	
90 [32.2]	Total BTUH [kW]	27.1 [7.9]	26.0 [7.6]	25.1 [7.4]	25.0 [7.3]	24.0 [7.0]	23.2 [6.8]	22.4 [6.6]	21.5 [6.3]	20.8 [6.1]	
	Sens BTUH [kW]	-2.3 [-0.7]	-2.1 [-0.6]	-1.9 [-0.6]	-0.4 [-0.1]	-0.4 [-0.1]	-0.4 [-0.1]	1.3 [0.4]	1.2 [0.3]	1.1 [0.3]	
	Power	4.6	4.5	4.4	4.6	4.5	4.4	4.6	4.5	4.4	

GROSS SYSTEMS PERFORMANCE DATA (HIGH REHEAT MODE) – RGEDZS102

		ENTERING INDOOR AIR @ 75°F [23.9°C] dbE ①									
wbE		65.3°F [18.5°C]			64°F [17.8°C]			62.5°F [16.9°C]			
CFM [L/s]		4100 [1935]	2900 [1369]	2700 [1274]	4100 [1935]	2900 [1369]	2700 [1274]	4100 [1935]	2900 [1369]	2700 [1274]	
OUTDOOR DRY BULB TEMPERATURE °F [°C]	60 [15.6]	Total BTUH [kW]	57.6 [16.9]	53.6 [15.7]	52.9 [15.5]	45.7 [13.4]	42.5 [12.5]	42.0 [12.3]	51.3 [15.0]	47.7 [14.0]	47.1 [13.8]
		Sens BTUH [kW]	12.7 [3.7]	10.7 [3.1]	10.3 [3.0]	14.6 [4.3]	12.2 [3.6]	11.8 [3.5]	20.5 [6.0]	17.2 [5.0]	16.6 [4.9]
		Power	6.6	6.4	6.3	5.2	5.0	5.0	6.3	6.1	6.0
	70 [21.1]	Total BTUH [kW]	52.7 [15.5]	49.1 [14.4]	48.4 [14.2]	40.9 [12.0]	38.0 [11.1]	37.5 [11.0]	46.4 [13.6]	43.2 [12.7]	42.6 [12.5]
		Sens BTUH [kW]	10.1 [3.0]	8.5 [2.5]	8.2 [2.4]	11.9 [3.5]	10.0 [2.9]	9.7 [2.8]	17.9 [5.2]	15.0 [4.4]	14.5 [4.2]
		Power	6.4	6.1	6.1	5.0	4.8	4.8	6.0	5.8	5.8
	80 [26.7]	Total BTUH [kW]	46.3 [13.6]	43.1 [12.6]	42.6 [12.5]	34.5 [10.1]	32.1 [9.4]	31.6 [9.3]	40.0 [11.7]	37.2 [10.9]	36.7 [10.8]
Sens BTUH [kW]		5.6 [1.6]	4.7 [1.4]	4.5 [1.3]	7.4 [2.2]	6.2 [1.8]	6.0 [1.8]	13.3 [3.9]	11.2 [3.3]	10.8 [3.2]	
Power		6.4	6.1	6.1	5.0	4.8	4.8	6.1	5.8	5.8	
90 [32.2]	Total BTUH [kW]	38.4 [11.2]	35.7 [10.5]	35.2 [10.3]	26.5 [7.8]	24.7 [7.2]	24.3 [7.1]	32.1 [9.4]	29.8 [8.7]	29.4 [8.6]	
	Sens BTUH [kW]	-0.9 [-0.3]	-0.7 [-0.2]	-0.7 [-0.2]	0.9 [0.3]	0.8 [0.2]	0.8 [0.2]	6.9 [2.0]	5.8 [1.7]	5.6 [1.6]	
	Power	6.6	6.4	6.4	5.2	5.1	5.0	6.3	6.1	6.1	
100 [37.8]	Total BTUH [kW]	28.9 [8.5]	26.9 [7.9]	26.5 [7.8]	17.0 [5.0]	15.8 [4.6]	15.6 [4.6]	22.6 [6.6]	21.0 [6.1]	20.7 [6.1]	
	Sens BTUH [kW]	-9.2 [-2.7]	-7.7 [-2.3]	-7.5 [-2.2]	-7.4 [-2.2]	-6.2 [-1.8]	-6.0 [-1.8]	-1.5 [-0.4]	-1.2 [-0.4]	-1.2 [-0.4]	
	Power	7.2	6.9	6.9	5.8	5.6	5.5	6.8	6.6	6.6	
110 [43.3]	Total BTUH [kW]	17.9 [5.2]	16.6 [4.9]	16.4 [4.8]	6.0 [1.8]	5.6 [1.6]	5.5 [1.6]	11.5 [3.4]	10.7 [3.1]	10.6 [3.1]	
	Sens BTUH [kW]	-19.5 [-5.7]	-16.3 [-4.8]	-15.8 [-4.6]	-17.7 [-5.2]	-14.8 [-4.3]	-14.3 [-4.2]	-11.7 [-3.4]	-9.8 [-2.9]	-9.5 [-2.8]	
	Power	7.9	7.7	7.6	6.5	6.3	6.3	7.6	7.4	7.3	
120 [48.9]	Total BTUH [kW]	5.3 [1.5]	4.9 [1.4]	4.9 [1.4]	-6.6 [-1.9]	-6.1 [-1.8]	-6.0 [-1.8]	-1.0 [-0.3]	-1.0 [-0.3]	-1.0 [-0.3]	
	Sens BTUH [kW]	-31.6 [-9.3]	-26.5 [-7.8]	-25.7 [-7.5]	-29.8 [-8.7]	-25.0 [-7.3]	-24.2 [-7.1]	-23.9 [-7.0]	-20.0 [-5.9]	-19.4 [-5.7]	
	Power	9.0	8.7	8.6	7.6	7.3	7.3	8.7	8.4	8.3	

GROSS SYSTEMS PERFORMANCE DATA (LOW REHEAT MODE) – RGEDZS120

ENTERING INDOOR AIR @ 75°F [23.9°C] dbE ①											
wbE		65.3°F [18.5°C]			64°F [17.8°C]			62.5°F [16.9°C]			
CFM [L/s]		3000 [1416]	2400 [1133]	2000 [944]	3000 [1416]	2400 [1133]	2000 [944]	3000 [1416]	2400 [1133]	2000 [944]	
OUTDOOR DRY BULB TEMPERATURE °F [°C]	60 [15.6]	Total BTUH [kW]	46.5 [13.6]	44.4 [13.0]	43.1 [12.6]	43.1 [12.6]	41.2 [12.1]	40.0 [11.7]	40.3 [11.8]	38.6 [11.3]	37.4 [11.0]
		Sens BTUH [kW]	12.9 [3.8]	11.6 [3.4]	10.7 [3.1]	13.8 [4.0]	12.3 [3.6]	11.4 [3.3]	18.5 [5.4]	16.5 [4.8]	15.3 [4.5]
		Power	4.6	4.5	4.4	4.5	4.4	4.3	4.5	4.4	4.3
	65 [18.3]	Total BTUH [kW]	45.7 [13.4]	43.7 [12.8]	42.4 [12.4]	42.3 [12.4]	40.5 [11.9]	39.3 [11.5]	39.6 [11.6]	37.8 [11.1]	36.7 [10.8]
		Sens BTUH [kW]	10.5 [3.1]	9.4 [2.8]	8.7 [2.5]	11.4 [3.3]	10.2 [3.0]	9.4 [2.8]	16.1 [4.7]	14.4 [4.2]	13.3 [3.9]
		Power	4.6	4.5	4.5	4.6	4.5	4.4	4.5	4.4	4.4
	70 [21.1]	Total BTUH [kW]	44.7 [13.1]	42.7 [12.5]	41.4 [12.1]	41.3 [12.1]	39.5 [11.6]	38.3 [11.2]	38.5 [11.3]	36.9 [10.8]	35.7 [10.5]
Sens BTUH [kW]		8.3 [2.4]	7.4 [2.2]	6.9 [2.0]	9.2 [2.7]	8.2 [2.4]	7.6 [2.2]	13.9 [4.1]	12.4 [3.6]	11.4 [3.4]	
Power		4.7	4.6	4.6	4.7	4.6	4.5	4.6	4.5	4.5	
75 [23.9]	Total BTUH [kW]	43.4 [12.7]	41.5 [12.2]	40.2 [11.8]	40.0 [11.7]	38.3 [11.2]	37.1 [10.9]	37.2 [10.9]	35.6 [10.4]	34.5 [10.1]	
	Sens BTUH [kW]	6.3 [1.8]	5.6 [1.7]	5.2 [1.5]	7.2 [2.1]	6.4 [1.9]	5.9 [1.7]	11.9 [3.5]	10.6 [3.1]	9.8 [2.9]	
	Power	4.9	4.8	4.7	4.8	4.7	4.7	4.8	4.7	4.6	
80 [26.7]	Total BTUH [kW]	41.8 [12.2]	40.0 [11.7]	38.8 [11.4]	38.4 [11.3]	36.8 [10.8]	35.6 [10.4]	35.7 [10.5]	34.1 [10.0]	33.1 [9.7]	
	Sens BTUH [kW]	4.5 [1.3]	4.0 [1.2]	3.7 [1.1]	5.4 [1.6]	4.8 [1.4]	4.4 [1.3]	10.1 [2.9]	9.0 [2.6]	8.3 [2.4]	
	Power	5.1	5	4.9	5	4.9	4.9	5	4.9	4.8	
85 [29.4]	Total BTUH [kW]	40.0 [11.7]	38.2 [11.2]	37.1 [10.9]	36.6 [10.7]	35.0 [10.3]	33.9 [9.9]	33.8 [9.9]	32.4 [9.5]	31.4 [9.2]	
	Sens BTUH [kW]	2.9 [0.8]	2.6 [0.8]	2.4 [0.7]	3.8 [1.1]	3.4 [1.0]	3.1 [0.9]	8.5 [2.5]	7.6 [2.2]	7.0 [2.0]	
	Power	5.4	5.3	5.2	5.3	5.2	5.1	5.3	5.2	5.1	
90 [32.2]	Total BTUH [kW]	37.9 [11.1]	36.2 [10.6]	35.1 [10.3]	34.5 [10.1]	33.0 [9.7]	32.0 [9.4]	31.7 [9.3]	30.4 [8.9]	29.4 [8.6]	
	Sens BTUH [kW]	1.5 [0.4]	1.3 [0.4]	1.2 [0.4]	2.4 [0.7]	2.1 [0.6]	2.0 [0.6]	7.1 [2.1]	6.3 [1.9]	5.8 [1.7]	
	Power	5.7	5.6	5.5	5.6	5.5	5.4	5.6	5.5	5.4	

GROSS SYSTEMS PERFORMANCE DATA (HIGH REHEAT MODE) – RGEDZS120

ENTERING INDOOR AIR @ 75°F [23.9°C] dbE ①											
wbE		65.3°F [18.5°C]			64°F [17.8°C]			62.5°F [16.9°C]			
CFM [L/s]		4800 [2265]	3800 [1793]	3200 [1510]	4800 [2265]	3800 [1793]	3200 [1510]	4800 [2265]	3800 [1793]	3200 [1510]	
OUTDOOR DRY BULB TEMPERATURE °F [°C]	60 [15.6]	Total BTUH [kW]	58.1 [17.0]	55.4 [16.2]	53.9 [15.8]	55.5 [16.3]	53.0 [15.5]	51.4 [15.1]	53.1 [15.6]	50.7 [14.9]	49.2 [14.4]
		Sens BTUH [kW]	10.5 [3.1]	9.3 [2.7]	8.6 [2.5]	15.6 [4.6]	13.9 [4.1]	12.9 [3.8]	19.9 [5.8]	17.7 [5.2]	16.4 [4.8]
		Power	7.0	6.9	6.8	6.9	6.8	6.7	6.9	6.8	6.7
	70 [21.1]	Total BTUH [kW]	53.4 [15.7]	51.0 [14.9]	49.5 [14.5]	50.8 [14.9]	48.5 [14.2]	47.1 [13.8]	48.4 [14.2]	46.2 [13.5]	44.9 [13.2]
		Sens BTUH [kW]	8.3 [2.4]	7.4 [2.2]	6.8 [2.0]	13.4 [3.9]	12.0 [3.5]	11.1 [3.2]	17.7 [5.2]	15.8 [4.6]	14.6 [4.3]
		Power	7.1	7.0	6.9	7.0	6.9	6.8	7.0	6.9	6.8
	80 [26.7]	Total BTUH [kW]	48.4 [14.2]	46.2 [13.5]	44.9 [13.2]	45.8 [13.4]	43.7 [12.8]	42.5 [12.4]	43.4 [12.7]	41.5 [12.1]	40.3 [11.8]
Sens BTUH [kW]		4.5 [1.3]	4.0 [1.2]	3.7 [1.1]	9.7 [2.8]	8.6 [2.5]	8.0 [2.3]	14.0 [4.1]	12.5 [3.6]	11.5 [3.4]	
Power		7.4	7.3	7.2	7.3	7.2	7.1	7.3	7.2	7.1	
90 [32.2]	Total BTUH [kW]	43.1 [12.6]	41.1 [12.0]	39.9 [11.7]	40.5 [11.9]	38.6 [11.3]	37.5 [11.0]	38.1 [11.2]	36.3 [10.6]	35.3 [10.3]	
	Sens BTUH [kW]	-0.8 [-0.2]	-0.7 [-0.2]	-0.6 [-0.2]	4.4 [1.3]	3.9 [1.1]	3.6 [1.1]	8.7 [2.5]	7.7 [2.3]	7.2 [2.1]	
	Power	7.9	7.7	7.6	7.8	7.7	7.5	7.8	7.6	7.5	
100 [37.8]	Total BTUH [kW]	37.4 [11.0]	35.7 [10.5]	34.6 [10.2]	34.8 [10.2]	33.2 [9.7]	32.2 [9.4]	32.4 [9.5]	30.9 [9.1]	30.0 [8.8]	
	Sens BTUH [kW]	-7.6 [-2.2]	-6.8 [-2.0]	-6.3 [-1.8]	-2.5 [-0.7]	-2.2 [-0.6]	-2.0 [-0.6]	1.8 [0.5]	1.6 [0.5]	1.5 [0.4]	
	Power	8.6	8.4	8.3	8.5	8.3	8.2	8.5	8.3	8.2	
110 [43.3]	Total BTUH [kW]	31.3 [9.2]	29.9 [8.8]	29.0 [8.5]	28.7 [8.4]	27.4 [8.0]	26.6 [7.8]	26.3 [7.7]	25.1 [7.4]	24.4 [7.1]	
	Sens BTUH [kW]	-16.0 [-4.7]	-14.3 [-4.2]	-13.2 [-3.9]	-10.9 [-3.2]	-9.7 [-2.8]	-9.0 [-2.6]	-6.6 [-1.9]	-5.9 [-1.7]	-5.5 [-1.6]	
	Power	9.5	9.3	9.2	9.4	9.2	9.1	9.4	9.2	9.0	
120 [48.9]	Total BTUH [kW]	24.9 [7.3]	23.8 [7.0]	23.1 [6.8]	22.3 [6.5]	21.3 [6.2]	20.7 [6.1]	19.9 [5.8]	19.0 [5.6]	18.5 [5.4]	
	Sens BTUH [kW]	-26.0 [-7.6]	-23.2 [-6.8]	-21.5 [-6.3]	-20.9 [-6.1]	-18.6 [-5.5]	-17.2 [-5.0]	-16.6 [-4.9]	-14.8 [-4.3]	-13.7 [-4.0]	
	Power	10.6	10.3	10.2	10.5	10.2	10.1	10.5	10.2	10.1	

GROSS SYSTEMS PERFORMANCE DATA (LOW REHEAT MODE) – RGEDZS150

		ENTERING INDOOR AIR @ 75°F [23.9°C] dbE ①									
wbE		65.3°F [18.5°C]			64°F [17.8°C]			62.5°F [16.9°C]			
CFM [L/s]		3000 [1416]	2400 [1133]	2000 [944]	3000 [1416]	2400 [1133]	2000 [944]	3000 [1416]	2400 [1133]	2000 [944]	
OUTDOOR DRY BULB TEMPERATURE °F [°C]	60 [15.6]	Total BTUH [kW]	46.5 [13.6]	44.4 [13.0]	43.1 [12.6]	43.1 [12.6]	41.2 [12.1]	40.0 [11.7]	40.3 [11.8]	38.6 [11.3]	37.4 [11.0]
		Sens BTUH [kW]	12.9 [3.8]	11.6 [3.4]	10.7 [3.1]	13.8 [4.0]	12.3 [3.6]	11.4 [3.3]	18.5 [5.4]	16.5 [4.8]	15.3 [4.5]
		Power	4.6	4.5	4.4	4.5	4.4	4.3	4.5	4.4	4.3
	65 [18.3]	Total BTUH [kW]	45.7 [13.4]	43.7 [12.8]	42.4 [12.4]	42.3 [12.4]	40.5 [11.9]	39.3 [11.5]	39.6 [11.6]	37.8 [11.1]	36.7 [10.8]
		Sens BTUH [kW]	10.5 [3.1]	9.4 [2.8]	8.7 [2.5]	11.4 [3.3]	10.2 [3.0]	9.4 [2.8]	16.1 [4.7]	14.4 [4.2]	13.3 [3.9]
		Power	4.6	4.5	4.5	4.6	4.5	4.4	4.5	4.4	4.4
	70 [21.1]	Total BTUH [kW]	44.7 [13.1]	42.7 [12.5]	41.4 [12.1]	41.3 [12.1]	39.5 [11.6]	38.3 [11.2]	38.5 [11.3]	36.9 [10.8]	35.7 [10.5]
Sens BTUH [kW]		8.3 [2.4]	7.4 [2.2]	6.9 [2.0]	9.2 [2.7]	8.2 [2.4]	7.6 [2.2]	13.9 [4.1]	12.4 [3.6]	11.4 [3.4]	
Power		4.7	4.6	4.6	4.7	4.6	4.5	4.6	4.5	4.5	
75 [23.9]	Total BTUH [kW]	43.4 [12.7]	41.5 [12.2]	40.2 [11.8]	40.0 [11.7]	38.3 [11.2]	37.1 [10.9]	37.2 [10.9]	35.6 [10.4]	34.5 [10.1]	
	Sens BTUH [kW]	6.3 [1.8]	5.6 [1.7]	5.2 [1.5]	7.2 [2.1]	6.4 [1.9]	5.9 [1.7]	11.9 [3.5]	10.6 [3.1]	9.8 [2.9]	
	Power	4.9	4.8	4.7	4.8	4.7	4.7	4.8	4.7	4.6	
80 [26.7]	Total BTUH [kW]	41.8 [12.2]	40.0 [11.7]	38.8 [11.4]	38.4 [11.3]	36.8 [10.8]	35.6 [10.4]	35.7 [10.5]	34.1 [10.0]	33.1 [9.7]	
	Sens BTUH [kW]	4.5 [1.3]	4.0 [1.2]	3.7 [1.1]	5.4 [1.6]	4.8 [1.4]	4.4 [1.3]	10.1 [2.9]	9.0 [2.6]	8.3 [2.4]	
	Power	5.1	5	4.9	5	4.9	4.9	5	4.9	4.8	
85 [29.4]	Total BTUH [kW]	40.0 [11.7]	38.2 [11.2]	37.1 [10.9]	36.6 [10.7]	35.0 [10.3]	33.9 [9.9]	33.8 [9.9]	32.4 [9.5]	31.4 [9.2]	
	Sens BTUH [kW]	2.9 [0.8]	2.6 [0.8]	2.4 [0.7]	3.8 [1.1]	3.4 [1.0]	3.1 [0.9]	8.5 [2.5]	7.6 [2.2]	7.0 [2.0]	
	Power	5.4	5.3	5.2	5.3	5.2	5.1	5.3	5.2	5.1	
90 [32.2]	Total BTUH [kW]	37.9 [11.1]	36.2 [10.6]	35.1 [10.3]	34.5 [10.1]	33.0 [9.7]	32.0 [9.4]	31.7 [9.3]	30.4 [8.9]	29.4 [8.6]	
	Sens BTUH [kW]	1.5 [0.4]	1.3 [0.4]	1.2 [0.4]	2.4 [0.7]	2.1 [0.6]	2.0 [0.6]	7.1 [2.1]	6.3 [1.9]	5.8 [1.7]	
	Power	5.7	5.6	5.5	5.6	5.5	5.4	5.6	5.5	5.4	

GROSS SYSTEMS PERFORMANCE DATA (HIGH REHEAT MODE) – RGEDZS150

		ENTERING INDOOR AIR @ 75°F [23.9°C] dbE ①									
wbE		65.3°F [18.5°C]			64°F [17.8°C]			62.5°F [16.9°C]			
CFM [L/s]		6000 [2832]	4100 [1935]	4000 [1888]	6000 [2832]	4100 [1935]	4000 [1888]	6000 [2832]	4100 [1935]	4000 [1888]	
OUTDOOR DRY BULB TEMPERATURE °F [°C]	60°F [15.6]	Total BTUH [kW]	99.3 [29.1]	91.5 [26.8]	91.1 [26.7]	101.6 [29.8]	93.7 [27.4]	93.2 [27.3]	92.7 [27.2]	85.5 [25.1]	85.2 [25.0]
		Sens BTUH [kW]	33.3 [9.7]	27.4 [8.0]	27.0 [7.9]	40.1 [11.8]	33.0 [9.7]	32.6 [9.6]	46.4 [13.6]	38.1 [11.2]	37.7 [11.0]
		Power	9.5	9.1	9.1	9.3	8.9	8.9	9.3	8.9	8.9
	70°F [21.1]	Total BTUH [kW]	94.4 [27.7]	87.1 [25.5]	86.7 [25.4]	96.7 [28.3]	89.2 [26.1]	88.8 [26.0]	87.9 [25.8]	81.1 [23.8]	80.7 [23.7]
		Sens BTUH [kW]	27 [7.9]	22.2 [6.5]	21.9 [6.4]	33.9 [9.9]	27.9 [8.2]	27.5 [8.1]	40.1 [11.7]	33.0 [9.7]	32.6 [9.5]
		Power	9.7	9.3	9.3	9.5	9.2	9.2	9.5	9.2	9.1
	80°F [26.7]	Total BTUH [kW]	87.6 [25.7]	80.8 [23.7]	80.4 [23.6]	89.9 [26.3]	82.9 [24.3]	82.5 [24.2]	81.1 [23.8]	74.8 [21.9]	74.4 [21.8]
Sens BTUH [kW]		20.1 [5.9]	16.5 [4.8]	16.3 [4.8]	27.0 [7.9]	22.2 [6.5]	21.9 [6.4]	33.2 [9.7]	27.3 [8.0]	27.0 [7.9]	
Power		10.2	9.8	9.8	10	9.6	9.6	10	9.6	9.6	
90°F [32.2]	Total BTUH [kW]	78.7 [23.1]	72.6 [21.3]	72.3 [21.2]	81.0 [23.7]	74.7 [21.9]	74.4 [21.8]	72.2 [21.2]	66.6 [19.5]	66.3 [19.4]	
	Sens BTUH [kW]	12.5 [3.7]	10.3 [3.0]	10.2 [3.0]	19.4 [5.7]	15.9 [4.7]	15.8 [4.6]	25.6 [7.5]	21.0 [6.2]	20.8 [6.1]	
	Power	11	10.5	10.5	10.8	10.4	10.3	10.8	10.3	10.3	
100°F [37.8]	Total BTUH [kW]	67.8 [19.9]	62.5 [18.3]	62.3 [18.2]	70.1 [20.5]	64.7 [18.9]	64.4 [18.9]	61.3 [18.0]	56.5 [16.6]	56.3 [16.5]	
	Sens BTUH [kW]	4.3 [1.3]	3.5 [1.0]	3.5 [1.0]	11.2 [3.3]	9.2 [2.7]	9.1 [2.7]	17.4 [5.1]	14.3 [4.2]	14.1 [4.1]	
	Power	11.9	11.5	11.4	11.8	11.3	11.3	11.8	11.3	11.3	
110 [43.3]	Total BTUH [kW]	54.9 [16.1]	50.6 [14.8]	50.4 [14.8]	57.2 [16.8]	52.7 [15.5]	52.5 [15.4]	48.4 [14.2]	44.6 [13.1]	44.4 [13.0]	
	Sens BTUH [kW]	-4.6 [-1.3]	-3.8 [-1.1]	-3.7 [-1.1]	2.3 [0.7]	1.9 [0.5]	1.9 [0.5]	8.5 [2.5]	7.0 [2.0]	6.9 [2.0]	
	Power	13.2	12.6	12.6	13	12.5	12.4	13	12.5	12.4	
120 [48.9]	Total BTUH [kW]	40.0 [11.7]	36.8 [10.8]	36.7 [10.8]	42.3 [12.4]	39.0 [11.4]	38.8 [11.4]	33.4 [9.8]	30.8 [9.0]	30.7 [9.0]	
	Sens BTUH [kW]	-14.1 [-4.1]	-11.6 [-3.4]	-11.5 [-3.4]	-7.2 [-2.1]	-6.0 [-1.7]	-5.9 [-1.7]	-1.0 [-0.3]	-0.9 [-0.2]	-0.8 [-0.2]	
	Power	14.6	14.1	14	14.5	13.9	13.9	14.4	13.9	13.8	

GROSS SYSTEMS PERFORMANCE DATA (LOW REHEAT MODE) – RGEDZT090

ENTERING INDOOR AIR @ 75°F [23.9°C] dbE ①											
wbE			65.3°F [18.5°C]			64°F [17.8°C]			62.5°F [16.9°C]		
CFM [L/s]			1800 [850]	1700 [802]	1200 [566]	1800 [850]	1700 [802]	1200 [566]	1800 [850]	1700 [802]	1200 [566]
OUTDOOR DRY BULB TEMPERATURE °F [°C]	60 [15.6]	Total BTUH [kW]	29.7 [8.7]	29.4 [8.6]	27.9 [8.2]	27.0 [7.9]	26.7 [7.8]	25.3 [7.4]	26.6 [7.8]	26.4 [7.7]	24.9 [7.3]
		Sens BTUH [kW]	6.5 [1.9]	6.3 [1.8]	5.4 [1.6]	9.0 [2.6]	8.7 [2.6]	7.5 [2.2]	11.4 [3.4]	11.1 [3.3]	9.6 [2.8]
		Power	3.2	3.1	3.1	3.2	3.2	3.1	3.2	3.2	3.1
	65 [18.3]	Total BTUH [kW]	29.5 [8.6]	29.2 [8.5]	27.6 [8.1]	26.7 [7.8]	26.4 [7.7]	25.0 [7.3]	26.4 [7.7]	26.1 [7.6]	24.7 [7.2]
		Sens BTUH [kW]	5.0 [1.5]	4.9 [1.4]	4.2 [1.2]	7.6 [2.2]	7.4 [2.2]	6.3 [1.9]	10.0 [2.9]	9.7 [2.9]	8.4 [2.5]
		Power	3.2	3.2	3.1	3.3	3.2	3.2	3.2	3.2	3.1
	70 [21.1]	Total BTUH [kW]	28.8 [8.4]	28.5 [8.4]	27.0 [7.9]	26.0 [7.6]	25.8 [7.6]	24.4 [7.1]	25.7 [7.5]	25.4 [7.5]	24.1 [7.1]
Sens BTUH [kW]		3.7 [1.1]	3.6 [1.0]	3.1 [0.9]	6.2 [1.8]	6.0 [1.8]	5.2 [1.5]	8.6 [2.5]	8.4 [2.5]	7.2 [2.1]	
Power		3.2	3.2	3.1	3.3	3.3	3.2	3.3	3.3	3.2	
75 [23.9]	Total BTUH [kW]	27.8 [8.1]	27.5 [8.1]	26.0 [7.6]	25.0 [7.3]	24.7 [7.2]	23.4 [6.9]	24.7 [7.2]	24.4 [7.2]	23.1 [6.8]	
	Sens BTUH [kW]	2.3 [0.7]	2.3 [0.7]	2.0 [0.6]	4.9 [1.4]	4.7 [1.4]	4.1 [1.2]	7.3 [2.1]	7.1 [2.1]	6.1 [1.8]	
	Power	3.3	3.3	3.2	3.4	3.4	3.3	3.4	3.4	3.3	
80 [26.7]	Total BTUH [kW]	26.3 [7.7]	26.0 [7.6]	24.6 [7.2]	23.5 [6.9]	23.3 [6.8]	22.1 [6.5]	23.2 [6.8]	23.0 [6.7]	21.7 [6.4]	
	Sens BTUH [kW]	1.1 [0.3]	1.0 [0.3]	0.9 [0.3]	3.6 [1.0]	3.5 [1.0]	3.0 [0.9]	6.0 [1.8]	5.9 [1.7]	5.1 [1.5]	
	Power	3.4	3.4	3.3	3.5	3.5	3.4	3.5	3.5	3.4	
85 [29.4]	Total BTUH [kW]	24.5 [7.2]	24.2 [7.1]	22.9 [6.7]	21.7 [6.4]	21.5 [6.3]	20.3 [6.0]	21.4 [6.3]	21.1 [6.2]	20.0 [5.9]	
	Sens BTUH [kW]	-0.2 [-0.1]	-0.2 [0.0]	-0.1 [0.0]	2.4 [0.7]	2.3 [0.7]	2.0 [0.6]	4.8 [1.4]	4.7 [1.4]	4.0 [1.2]	
	Power	3.6	3.6	3.5	3.7	3.6	3.6	3.6	3.6	3.5	
90 [32.2]	Total BTUH [kW]	22.2 [6.5]	22.0 [6.4]	20.8 [6.1]	19.5 [5.7]	19.3 [5.6]	18.2 [5.3]	19.1 [5.6]	18.9 [5.5]	17.9 [5.3]	
	Sens BTUH [kW]	-1.3 [-0.4]	-1.3 [-0.4]	-1.1 [-0.3]	1.2 [0.3]	1.1 [0.3]	1.0 [0.3]	3.6 [1.1]	3.5 [1.0]	3.0 [0.9]	
	Power	3.8	3.7	3.6	3.8	3.8	3.7	3.8	3.8	3.7	

GROSS SYSTEMS PERFORMANCE DATA (HIGH REHEAT MODE) – RGEDZT090

ENTERING INDOOR AIR @ 75°F [23.9°C] dbE ①											
wbE			65.3°F [18.5°C]			64°F [17.8°C]			62.5°F [16.9°C]		
CFM [L/s]			3600 [1699]	2900 [1369]	2400 [1133]	3600 [1699]	2900 [1369]	2400 [1133]	3600 [1699]	2900 [1369]	2400 [1133]
OUTDOOR DRY BULB TEMPERATURE °F [°C]	60 [15.6]	Total BTUH [kW]	41.7 [12.2]	39.9 [11.7]	38.7 [11.3]	40.1 [11.8]	38.4 [11.3]	37.2 [10.9]	40.0 [11.7]	38.3 [11.2]	37.1 [10.9]
		Sens BTUH [kW]	8.9 [2.6]	8.0 [2.4]	7.4 [2.2]	12.8 [3.7]	11.5 [3.4]	10.5 [3.1]	18.5 [5.4]	16.7 [4.9]	15.3 [4.5]
		Power	5.0	4.9	4.8	4.9	4.8	4.8	4.9	4.8	4.8
	70 [21.1]	Total BTUH [kW]	39.8 [11.7]	38.1 [11.2]	36.9 [10.8]	38.3 [11.2]	36.7 [10.7]	35.5 [10.4]	38.1 [11.2]	36.5 [10.7]	35.4 [10.4]
		Sens BTUH [kW]	5.9 [1.7]	5.3 [1.6]	4.9 [1.4]	9.8 [2.9]	8.8 [2.6]	8.1 [2.4]	15.5 [4.6]	14.0 [4.1]	12.8 [3.8]
		Power	5.1	5.0	4.9	5.1	5.0	4.9	5.0	4.9	4.9
	80 [26.7]	Total BTUH [kW]	36.7 [10.7]	35.1 [10.3]	34.0 [10.0]	35.1 [10.3]	33.7 [9.9]	32.6 [9.6]	35.0 [10.3]	33.5 [9.8]	32.5 [9.5]
Sens BTUH [kW]		2.1 [0.6]	1.9 [0.5]	1.7 [0.5]	5.9 [1.7]	5.3 [1.6]	4.9 [1.4]	11.7 [3.4]	10.5 [3.1]	9.6 [2.8]	
Power		5.4	5.3	5.2	5.3	5.2	5.1	5.3	5.2	5.1	
90 [32.2]	Total BTUH [kW]	32.3 [9.5]	30.9 [9.1]	30.0 [8.8]	30.8 [9.0]	29.5 [8.6]	28.5 [8.4]	30.6 [9.0]	29.3 [8.6]	28.4 [8.3]	
	Sens BTUH [kW]	-2.7 [-0.8]	-2.4 [-0.7]	-2.2 [-0.6]	1.2 [0.3]	1.0 [0.3]	1.0 [0.3]	6.9 [2.0]	6.2 [1.8]	5.7 [1.7]	
	Power	5.8	5.6	5.6	5.7	5.6	5.5	5.7	5.6	5.5	
100 [37.8]	Total BTUH [kW]	26.7 [7.8]	25.5 [7.5]	24.7 [7.3]	25.1 [7.4]	24.1 [7.1]	23.3 [6.8]	25.0 [7.3]	23.9 [7.0]	23.2 [6.8]	
	Sens BTUH [kW]	-8.3 [-2.4]	-7.4 [-2.2]	-6.8 [-2.0]	-4.4 [-1.3]	-4.0 [-1.2]	-3.7 [-1.1]	1.3 [0.4]	1.2 [0.4]	1.1 [0.3]	
	Power	6.3	6.2	6.1	6.2	6.1	6.0	6.2	6.1	6.0	
110 [43.3]	Total BTUH [kW]	19.8 [5.8]	19.0 [5.6]	18.4 [5.4]	18.3 [5.4]	17.5 [5.1]	17.0 [5.0]	18.1 [5.3]	17.4 [5.1]	16.8 [4.9]	
	Sens BTUH [kW]	-14.7 [-4.3]	-13.2 [-3.9]	-12.2 [-3.6]	-10.9 [-3.2]	-9.8 [-2.9]	-9.0 [-2.6]	-5.1 [-1.5]	-4.6 [-1.4]	-4.2 [-1.2]	
	Power	6.9	6.8	6.7	6.9	6.7	6.6	6.9	6.7	6.6	
120 [48.9]	Total BTUH [kW]	11.7 [3.4]	11.2 [3.3]	10.8 [3.2]	10.1 [3.0]	9.7 [2.8]	9.4 [2.8]	10.0 [2.9]	9.6 [2.8]	9.3 [2.7]	
	Sens BTUH [kW]	-22.1 [-6.5]	-19.8 [-5.8]	-18.2 [-5.3]	-18.2 [-5.3]	-16.4 [-4.8]	-15.1 [-4.4]	-12.5 [-3.7]	-11.2 [-3.3]	-10.3 [-3.0]	
	Power	7.8	7.6	7.5	7.7	7.5	7.4	7.7	7.5	7.4	

GROSS SYSTEMS PERFORMANCE DATA (LOW REHEAT MODE)–RGEDZT102

		ENTERING INDOOR AIR @ 75°F [23.9°C] dbE ①									
wbE		65.3°F [18.5°C]			64°F [17.8°C]			62.5°F [16.9°C]			
CFM [L/s]		2100 [991]	1700 [802]	1400 [661]	2100 [991]	1700 [802]	1400 [661]	2100 [991]	1700 [802]	1400 [661]	
OUTDOOR DRY BULB TEMPERATURE °F [°C]	60 [15.6]	Total BTUH [kW]	36.6 [10.7]	35.1 [10.3]	33.9 [9.9]	34.5 [10.1]	33.1 [9.7]	32.1 [9.4]	31.9 [9.3]	30.6 [9.0]	29.6 [8.7]
		Sens BTUH [kW]	7.1 [2.1]	6.4 [1.9]	5.9 [1.7]	9.0 [2.6]	8.1 [2.4]	7.4 [2.2]	10.7 [3.1]	9.7 [2.8]	8.9 [2.6]
		Power	3.9	3.8	3.7	3.8	3.8	3.7	3.8	3.8	3.7
	65 [18.3]	Total BTUH [kW]	35.5 [10.4]	34.0 [10.0]	32.9 [9.6]	33.4 [9.8]	32.1 [9.4]	31.0 [9.1]	30.8 [9.0]	29.5 [8.6]	28.6 [8.4]
		Sens BTUH [kW]	6.1 [1.8]	5.5 [1.6]	5.0 [1.5]	8.0 [2.3]	7.2 [2.1]	6.6 [1.9]	9.7 [2.8]	8.7 [2.6]	8.0 [2.4]
		Power	3.9	3.8	3.8	3.9	3.8	3.8	3.9	3.8	3.8
	70 [21.1]	Total BTUH [kW]	34.1 [10.0]	32.7 [9.6]	31.7 [9.3]	32.1 [9.4]	30.8 [9.0]	29.8 [8.7]	29.5 [8.6]	28.3 [8.3]	27.4 [8.0]
Sens BTUH [kW]		4.8 [1.4]	4.3 [1.3]	4.0 [1.2]	6.7 [2.0]	6.0 [1.8]	5.5 [1.6]	8.5 [2.5]	7.6 [2.2]	7.0 [2.0]	
Power		4.0	3.9	3.9	4.0	3.9	3.9	4.0	3.9	3.9	
75 [23.9]	Total BTUH [kW]	32.7 [9.6]	31.3 [9.2]	30.3 [8.9]	30.6 [9.0]	29.4 [8.6]	28.4 [8.3]	28.0 [8.2]	26.8 [7.9]	26.0 [7.6]	
	Sens BTUH [kW]	3.3 [1.0]	3.0 [0.9]	2.8 [0.8]	5.2 [1.5]	4.7 [1.4]	4.3 [1.3]	7.0 [2.0]	6.3 [1.8]	5.8 [1.7]	
	Power	4.1	4.0	4.0	4.1	4.0	4.0	4.1	4.0	4.0	
80 [26.7]	Total BTUH [kW]	31.0 [9.1]	29.7 [8.7]	28.8 [8.4]	29.0 [8.5]	27.8 [8.1]	26.9 [7.9]	26.3 [7.7]	25.2 [7.4]	24.4 [7.2]	
	Sens BTUH [kW]	1.7 [0.5]	1.5 [0.4]	1.4 [0.4]	3.6 [1.0]	3.2 [0.9]	2.9 [0.9]	5.3 [1.6]	4.8 [1.4]	4.4 [1.3]	
	Power	4.3	4.2	4.1	4.3	4.2	4.1	4.3	4.2	4.1	
85 [29.4]	Total BTUH [kW]	29.1 [8.5]	27.9 [8.2]	27.0 [7.9]	27.1 [7.9]	26.0 [7.6]	25.1 [7.4]	24.4 [7.2]	23.4 [6.9]	22.7 [6.6]	
	Sens BTUH [kW]	-0.2 [-0.1]	-0.2 [-0.1]	-0.2 [-0.1]	1.7 [0.5]	1.5 [0.4]	1.4 [0.4]	3.4 [1.0]	3.1 [0.9]	2.8 [0.8]	
	Power	4.4	4.3	4.3	4.4	4.3	4.3	4.4	4.3	4.3	
90 [32.2]	Total BTUH [kW]	27.1 [7.9]	26.0 [7.6]	25.1 [7.4]	25.0 [7.3]	24.0 [7.0]	23.2 [6.8]	22.4 [6.6]	21.5 [6.3]	20.8 [6.1]	
	Sens BTUH [kW]	-2.3 [-0.7]	-2.1 [-0.6]	-1.9 [-0.6]	-0.4 [-0.1]	-0.4 [-0.1]	-0.4 [-0.1]	1.3 [0.4]	1.2 [0.3]	1.1 [0.3]	
	Power	4.6	4.5	4.4	4.6	4.5	4.4	4.6	4.5	4.4	

GROSS SYSTEMS PERFORMANCE DATA (HIGH REHEAT MODE)–RGEDZT102

		ENTERING INDOOR AIR @ 75°F [23.9°C] dbE ①									
wbE		65.3°F [18.5°C]			64°F [17.8°C]			62.5°F [16.9°C]			
CFM [L/s]		4100 [1935]	2900 [1369]	2700 [1274]	4100 [1935]	2900 [1369]	2700 [1274]	4100 [1935]	2900 [1369]	2700 [1274]	
OUTDOOR DRY BULB TEMPERATURE °F [°C]	60 [15.6]	Total BTUH [kW]	57.6 [16.9]	53.6 [15.7]	52.9 [15.5]	45.7 [13.4]	42.5 [12.5]	42.0 [12.3]	51.3 [15.0]	47.7 [14.0]	47.1 [13.8]
		Sens BTUH [kW]	12.7 [3.7]	10.7 [3.1]	10.3 [3.0]	14.6 [4.3]	12.2 [3.6]	11.8 [3.5]	20.5 [6.0]	17.2 [5.0]	16.6 [4.9]
		Power	6.6	6.4	6.3	5.2	5.0	5.0	6.3	6.1	6.0
	70 [21.1]	Total BTUH [kW]	52.7 [15.5]	49.1 [14.4]	48.4 [14.2]	40.9 [12.0]	38.0 [11.1]	37.5 [11.0]	46.4 [13.6]	43.2 [12.7]	42.6 [12.5]
		Sens BTUH [kW]	10.1 [3.0]	8.5 [2.5]	8.2 [2.4]	11.9 [3.5]	10.0 [2.9]	9.7 [2.8]	17.9 [5.2]	15.0 [4.4]	14.5 [4.2]
		Power	6.4	6.1	6.1	5.0	4.8	4.8	6.0	5.8	5.8
	80 [26.7]	Total BTUH [kW]	46.3 [13.6]	43.1 [12.6]	42.6 [12.5]	34.5 [10.1]	32.1 [9.4]	31.6 [9.3]	40.0 [11.7]	37.2 [10.9]	36.7 [10.8]
Sens BTUH [kW]		5.6 [1.6]	4.7 [1.4]	4.5 [1.3]	7.4 [2.2]	6.2 [1.8]	6.0 [1.8]	13.3 [3.9]	11.2 [3.3]	10.8 [3.2]	
Power		6.4	6.1	6.1	5.0	4.8	4.8	6.1	5.8	5.8	
90 [32.2]	Total BTUH [kW]	38.4 [11.2]	35.7 [10.5]	35.2 [10.3]	26.5 [7.8]	24.7 [7.2]	24.3 [7.1]	32.1 [9.4]	29.8 [8.7]	29.4 [8.6]	
	Sens BTUH [kW]	-0.9 [-0.3]	-0.7 [-0.2]	-0.7 [-0.2]	0.9 [0.3]	0.8 [0.2]	0.8 [0.2]	6.9 [2.0]	5.8 [1.7]	5.6 [1.6]	
	Power	6.6	6.4	6.4	5.2	5.1	5.0	6.3	6.1	6.1	
100 [37.8]	Total BTUH [kW]	28.9 [8.5]	26.9 [7.9]	26.5 [7.8]	17.0 [5.0]	15.8 [4.6]	15.6 [4.6]	22.6 [6.6]	21.0 [6.1]	20.7 [6.1]	
	Sens BTUH [kW]	-9.2 [-2.7]	-7.7 [-2.3]	-7.5 [-2.2]	-7.4 [-2.2]	-6.2 [-1.8]	-6.0 [-1.8]	-1.5 [-0.4]	-1.2 [-0.4]	-1.2 [-0.4]	
	Power	7.2	6.9	6.9	5.8	5.6	5.5	6.8	6.6	6.6	
110 [43.3]	Total BTUH [kW]	17.9 [5.2]	16.6 [4.9]	16.4 [4.8]	6.0 [1.8]	5.6 [1.6]	5.5 [1.6]	11.5 [3.4]	10.7 [3.1]	10.6 [3.1]	
	Sens BTUH [kW]	-19.5 [-5.7]	-16.3 [-4.8]	-15.8 [-4.6]	-17.7 [-5.2]	-14.8 [-4.3]	-14.3 [-4.2]	-11.7 [-3.4]	-9.8 [-2.9]	-9.5 [-2.8]	
	Power	7.9	7.7	7.6	6.5	6.3	6.3	7.6	7.4	7.3	
120 [48.9]	Total BTUH [kW]	5.3 [1.5]	4.9 [1.4]	4.9 [1.4]	-6.6 [-1.9]	-6.1 [-1.8]	-6.0 [-1.8]	-1.0 [-0.3]	-1.0 [-0.3]	-1.0 [-0.3]	
	Sens BTUH [kW]	-31.6 [-9.3]	-26.5 [-7.8]	-25.7 [-7.5]	-29.8 [-8.7]	-25.0 [-7.3]	-24.2 [-7.1]	-23.9 [-7.0]	-20.0 [-5.9]	-19.4 [-5.7]	
	Power	9.0	8.7	8.6	7.6	7.3	7.3	8.7	8.4	8.3	

GROSS SYSTEMS PERFORMANCE DATA (LOW REHEAT MODE) – RGEDZT120

ENTERING INDOOR AIR @ 75°F [23.9°C] dbE ①											
wbE			65.3°F [18.5°C]			64°F [17.8°C]			62.5°F [16.9°C]		
CFM [L/s]			3000 [1416]	2400 [1133]	2000 [944]	3000 [1416]	2400 [1133]	2000 [944]	3000 [1416]	2400 [1133]	2000 [944]
OUTDOOR DRY BULB TEMPERATURE °F [°C]	60 [15.6]	Total BTUH [kW]	46.5 [13.6]	44.4 [13.0]	43.1 [12.6]	43.1 [12.6]	41.2 [12.1]	40.0 [11.7]	40.3 [11.8]	38.6 [11.3]	37.4 [11.0]
		Sens BTUH [kW]	12.9 [3.8]	11.6 [3.4]	10.7 [3.1]	13.8 [4.0]	12.3 [3.6]	11.4 [3.3]	18.5 [5.4]	16.5 [4.8]	15.3 [4.5]
		Power	4.6	4.5	4.4	4.5	4.4	4.3	4.5	4.4	4.3
	65 [18.3]	Total BTUH [kW]	45.7 [13.4]	43.7 [12.8]	42.4 [12.4]	42.3 [12.4]	40.5 [11.9]	39.3 [11.5]	39.6 [11.6]	37.8 [11.1]	36.7 [10.8]
		Sens BTUH [kW]	10.5 [3.1]	9.4 [2.8]	8.7 [2.5]	11.4 [3.3]	10.2 [3.0]	9.4 [2.8]	16.1 [4.7]	14.4 [4.2]	13.3 [3.9]
		Power	4.6	4.5	4.5	4.6	4.5	4.4	4.5	4.4	4.4
	70 [21.1]	Total BTUH [kW]	44.7 [13.1]	42.7 [12.5]	41.4 [12.1]	41.3 [12.1]	39.5 [11.6]	38.3 [11.2]	38.5 [11.3]	36.9 [10.8]	35.7 [10.5]
Sens BTUH [kW]		8.3 [2.4]	7.4 [2.2]	6.9 [2.0]	9.2 [2.7]	8.2 [2.4]	7.6 [2.2]	13.9 [4.1]	12.4 [3.6]	11.4 [3.4]	
Power		4.7	4.6	4.6	4.7	4.6	4.5	4.6	4.5	4.5	
75 [23.9]	Total BTUH [kW]	43.4 [12.7]	41.5 [12.2]	40.2 [11.8]	40.0 [11.7]	38.3 [11.2]	37.1 [10.9]	37.2 [10.9]	35.6 [10.4]	34.5 [10.1]	
	Sens BTUH [kW]	6.3 [1.8]	5.6 [1.7]	5.2 [1.5]	7.2 [2.1]	6.4 [1.9]	5.9 [1.7]	11.9 [3.5]	10.6 [3.1]	9.8 [2.9]	
	Power	4.9	4.8	4.7	4.8	4.7	4.7	4.8	4.7	4.6	
80 [26.7]	Total BTUH [kW]	41.8 [12.2]	40.0 [11.7]	38.8 [11.4]	38.4 [11.3]	36.8 [10.8]	35.6 [10.4]	35.7 [10.5]	34.1 [10.0]	33.1 [9.7]	
	Sens BTUH [kW]	4.5 [1.3]	4.0 [1.2]	3.7 [1.1]	5.4 [1.6]	4.8 [1.4]	4.4 [1.3]	10.1 [2.9]	9.0 [2.6]	8.3 [2.4]	
	Power	5.1	5	4.9	5	4.9	4.9	5	4.9	4.8	
85 [29.4]	Total BTUH [kW]	40.0 [11.7]	38.2 [11.2]	37.1 [10.9]	36.6 [10.7]	35.0 [10.3]	33.9 [9.9]	33.8 [9.9]	32.4 [9.5]	31.4 [9.2]	
	Sens BTUH [kW]	2.9 [0.8]	2.6 [0.8]	2.4 [0.7]	3.8 [1.1]	3.4 [1.0]	3.1 [0.9]	8.5 [2.5]	7.6 [2.2]	7.0 [2.0]	
	Power	5.4	5.3	5.2	5.3	5.2	5.1	5.3	5.2	5.1	
90 [32.2]	Total BTUH [kW]	37.9 [11.1]	36.2 [10.6]	35.1 [10.3]	34.5 [10.1]	33.0 [9.7]	32.0 [9.4]	31.7 [9.3]	30.4 [8.9]	29.4 [8.6]	
	Sens BTUH [kW]	1.5 [0.4]	1.3 [0.4]	1.2 [0.4]	2.4 [0.7]	2.1 [0.6]	2.0 [0.6]	7.1 [2.1]	6.3 [1.9]	5.8 [1.7]	
	Power	5.7	5.6	5.5	5.6	5.5	5.4	5.6	5.5	5.4	

GROSS SYSTEMS PERFORMANCE DATA (HIGH REHEAT MODE) – RGEDZT120

ENTERING INDOOR AIR @ 75°F [23.9°C] dbE ①											
wbE			65.3°F [18.5°C]			64°F [17.8°C]			62.5°F [16.9°C]		
CFM [L/s]			4800 [2265]	3800 [1793]	3200 [1510]	4800 [2265]	3800 [1793]	3200 [1510]	4800 [2265]	3800 [1793]	3200 [1510]
OUTDOOR DRY BULB TEMPERATURE °F [°C]	60 [15.6]	Total BTUH [kW]	58.1 [17.0]	55.4 [16.2]	53.9 [15.8]	55.5 [16.3]	53.0 [15.5]	51.4 [15.1]	53.1 [15.6]	50.7 [14.9]	49.2 [14.4]
		Sens BTUH [kW]	10.5 [3.1]	9.3 [2.7]	8.6 [2.5]	15.6 [4.6]	13.9 [4.1]	12.9 [3.8]	19.9 [5.8]	17.7 [5.2]	16.4 [4.8]
		Power	7.0	6.9	6.8	6.9	6.8	6.7	6.9	6.8	6.7
	70 [21.1]	Total BTUH [kW]	53.4 [15.7]	51.0 [14.9]	49.5 [14.5]	50.8 [14.9]	48.5 [14.2]	47.1 [13.8]	48.4 [14.2]	46.2 [13.5]	44.9 [13.2]
		Sens BTUH [kW]	8.3 [2.4]	7.4 [2.2]	6.8 [2.0]	13.4 [3.9]	12.0 [3.5]	11.1 [3.2]	17.7 [5.2]	15.8 [4.6]	14.6 [4.3]
		Power	7.1	7.0	6.9	7.0	6.9	6.8	7.0	6.9	6.8
	80 [26.7]	Total BTUH [kW]	48.4 [14.2]	46.2 [13.5]	44.9 [13.2]	45.8 [13.4]	43.7 [12.8]	42.5 [12.4]	43.4 [12.7]	41.5 [12.1]	40.3 [11.8]
Sens BTUH [kW]		4.5 [1.3]	4.0 [1.2]	3.7 [1.1]	9.7 [2.8]	8.6 [2.5]	8.0 [2.3]	14.0 [4.1]	12.5 [3.6]	11.5 [3.4]	
Power		7.4	7.3	7.2	7.3	7.2	7.1	7.3	7.2	7.1	
90 [32.2]	Total BTUH [kW]	43.1 [12.6]	41.1 [12.0]	39.9 [11.7]	40.5 [11.9]	38.6 [11.3]	37.5 [11.0]	38.1 [11.2]	36.3 [10.6]	35.3 [10.3]	
	Sens BTUH [kW]	-0.8 [-0.2]	-0.7 [-0.2]	-0.6 [-0.2]	4.4 [1.3]	3.9 [1.1]	3.6 [1.1]	8.7 [2.5]	7.7 [2.3]	7.2 [2.1]	
	Power	7.9	7.7	7.6	7.8	7.7	7.5	7.8	7.6	7.5	
100 [37.8]	Total BTUH [kW]	37.4 [11.0]	35.7 [10.5]	34.6 [10.2]	34.8 [10.2]	33.2 [9.7]	32.2 [9.4]	32.4 [9.5]	30.9 [9.1]	30.0 [8.8]	
	Sens BTUH [kW]	-7.6 [-2.2]	-6.8 [-2.0]	-6.3 [-1.8]	-2.5 [-0.7]	-2.2 [-0.6]	-2.0 [-0.6]	1.8 [0.5]	1.6 [0.5]	1.5 [0.4]	
	Power	8.6	8.4	8.3	8.5	8.3	8.2	8.5	8.3	8.2	
110 [43.3]	Total BTUH [kW]	31.3 [9.2]	29.9 [8.8]	29.0 [8.5]	28.7 [8.4]	27.4 [8.0]	26.6 [7.8]	26.3 [7.7]	25.1 [7.4]	24.4 [7.1]	
	Sens BTUH [kW]	-16.0 [-4.7]	-14.3 [-4.2]	-13.2 [-3.9]	-10.9 [-3.2]	-9.7 [-2.8]	-9.0 [-2.6]	-6.6 [-1.9]	-5.9 [-1.7]	-5.5 [-1.6]	
	Power	9.5	9.3	9.2	9.4	9.2	9.1	9.4	9.2	9.0	
120 [48.9]	Total BTUH [kW]	24.9 [7.3]	23.8 [7.0]	23.1 [6.8]	22.3 [6.5]	21.3 [6.2]	20.7 [6.1]	19.9 [5.8]	19.0 [5.6]	18.5 [5.4]	
	Sens BTUH [kW]	-26.0 [-7.6]	-23.2 [-6.8]	-21.5 [-6.3]	-20.9 [-6.1]	-18.6 [-5.5]	-17.2 [-5.0]	-16.6 [-4.9]	-14.8 [-4.3]	-13.7 [-4.0]	
	Power	10.6	10.3	10.2	10.5	10.2	10.1	10.5	10.2	10.1	

GROSS SYSTEMS PERFORMANCE DATA (LOW REHEAT MODE) – RGEDZT150

ENTERING INDOOR AIR @ 75°F [23.9°C] dbE ①											
wbE			65.3°F [18.5°C]			64°F [17.8°C]			62.5°F [16.9°C]		
CFM [L/s]			3000 [1416]	2400 [1133]	2000 [944]	3000 [1416]	2400 [1133]	2000 [944]	3000 [1416]	2400 [1133]	2000 [944]
OUTDOOR DRY BULB TEMPERATURE °F [°C]	60 [15.6]	Total BTUH [kW]	46.5 [13.6]	44.4 [13.0]	43.1 [12.6]	43.1 [12.6]	41.2 [12.1]	40.0 [11.7]	40.3 [11.8]	38.6 [11.3]	37.4 [11.0]
		Sens BTUH [kW]	12.9 [3.8]	11.6 [3.4]	10.7 [3.1]	13.8 [4.0]	12.3 [3.6]	11.4 [3.3]	18.5 [5.4]	16.5 [4.8]	15.3 [4.5]
		Power	4.6	4.5	4.4	4.5	4.4	4.3	4.5	4.4	4.3
	65 [18.3]	Total BTUH [kW]	45.7 [13.4]	43.7 [12.8]	42.4 [12.4]	42.3 [12.4]	40.5 [11.9]	39.3 [11.5]	39.6 [11.6]	37.8 [11.1]	36.7 [10.8]
		Sens BTUH [kW]	10.5 [3.1]	9.4 [2.8]	8.7 [2.5]	11.4 [3.3]	10.2 [3.0]	9.4 [2.8]	16.1 [4.7]	14.4 [4.2]	13.3 [3.9]
		Power	4.6	4.5	4.5	4.6	4.5	4.4	4.5	4.4	4.4
	70 [21.1]	Total BTUH [kW]	44.7 [13.1]	42.7 [12.5]	41.4 [12.1]	41.3 [12.1]	39.5 [11.6]	38.3 [11.2]	38.5 [11.3]	36.9 [10.8]	35.7 [10.5]
Sens BTUH [kW]		8.3 [2.4]	7.4 [2.2]	6.9 [2.0]	9.2 [2.7]	8.2 [2.4]	7.6 [2.2]	13.9 [4.1]	12.4 [3.6]	11.4 [3.4]	
Power		4.7	4.6	4.6	4.7	4.6	4.5	4.6	4.5	4.5	
75 [23.9]	Total BTUH [kW]	43.4 [12.7]	41.5 [12.2]	40.2 [11.8]	40.0 [11.7]	38.3 [11.2]	37.1 [10.9]	37.2 [10.9]	35.6 [10.4]	34.5 [10.1]	
	Sens BTUH [kW]	6.3 [1.8]	5.6 [1.7]	5.2 [1.5]	7.2 [2.1]	6.4 [1.9]	5.9 [1.7]	11.9 [3.5]	10.6 [3.1]	9.8 [2.9]	
	Power	4.9	4.8	4.7	4.8	4.7	4.7	4.8	4.7	4.6	
80 [26.7]	Total BTUH [kW]	41.8 [12.2]	40.0 [11.7]	38.8 [11.4]	38.4 [11.3]	36.8 [10.8]	35.6 [10.4]	35.7 [10.5]	34.1 [10.0]	33.1 [9.7]	
	Sens BTUH [kW]	4.5 [1.3]	4.0 [1.2]	3.7 [1.1]	5.4 [1.6]	4.8 [1.4]	4.4 [1.3]	10.1 [2.9]	9.0 [2.6]	8.3 [2.4]	
	Power	5.1	5	4.9	5	4.9	4.9	5	4.9	4.8	
85 [29.4]	Total BTUH [kW]	40.0 [11.7]	38.2 [11.2]	37.1 [10.9]	36.6 [10.7]	35.0 [10.3]	33.9 [9.9]	33.8 [9.9]	32.4 [9.5]	31.4 [9.2]	
	Sens BTUH [kW]	2.9 [0.8]	2.6 [0.8]	2.4 [0.7]	3.8 [1.1]	3.4 [1.0]	3.1 [0.9]	8.5 [2.5]	7.6 [2.2]	7.0 [2.0]	
	Power	5.4	5.3	5.2	5.3	5.2	5.1	5.3	5.2	5.1	
90 [32.2]	Total BTUH [kW]	37.9 [11.1]	36.2 [10.6]	35.1 [10.3]	34.5 [10.1]	33.0 [9.7]	32.0 [9.4]	31.7 [9.3]	30.4 [8.9]	29.4 [8.6]	
	Sens BTUH [kW]	1.5 [0.4]	1.3 [0.4]	1.2 [0.4]	2.4 [0.7]	2.1 [0.6]	2.0 [0.6]	7.1 [2.1]	6.3 [1.9]	5.8 [1.7]	
	Power	5.7	5.6	5.5	5.6	5.5	5.4	5.6	5.5	5.4	

GROSS SYSTEMS PERFORMANCE DATA (HIGH REHEAT MODE) – RGEDZT150

ENTERING INDOOR AIR @ 75°F [23.9°C] dbE ①											
wbE			65.3°F [18.5°C]			64°F [17.8°C]			62.5°F [16.9°C]		
CFM [L/s]			6000 [2832]	4100 [1935]	4000 [1888]	6000 [2832]	4100 [1935]	4000 [1888]	6000 [2832]	4100 [1935]	4000 [1888]
OUTDOOR DRY BULB TEMPERATURE °F [°C]	60°F [15.6]	Total BTUH [kW]	99.3 [29.1]	91.5 [26.8]	91.1 [26.7]	101.6 [29.8]	93.7 [27.4]	93.2 [27.3]	92.7 [27.2]	85.5 [25.1]	85.2 [25.0]
		Sens BTUH [kW]	33.3 [9.7]	27.4 [8.0]	27.0 [7.9]	40.1 [11.8]	33.0 [9.7]	32.6 [9.6]	46.4 [13.6]	38.1 [11.2]	37.7 [11.0]
		Power	9.5	9.1	9.1	9.3	8.9	8.9	9.3	8.9	8.9
	70°F [21.1]	Total BTUH [kW]	94.4 [27.7]	87.1 [25.5]	86.7 [25.4]	96.7 [28.3]	89.2 [26.1]	88.8 [26.0]	87.9 [25.8]	81.1 [23.8]	80.7 [23.7]
		Sens BTUH [kW]	27 [7.9]	22.2 [6.5]	21.9 [6.4]	33.9 [9.9]	27.9 [8.2]	27.5 [8.1]	40.1 [11.7]	33.0 [9.7]	32.6 [9.5]
		Power	9.7	9.3	9.3	9.5	9.2	9.2	9.5	9.2	9.1
	80°F [26.7]	Total BTUH [kW]	87.6 [25.7]	80.8 [23.7]	80.4 [23.6]	89.9 [26.3]	82.9 [24.3]	82.5 [24.2]	81.1 [23.8]	74.8 [21.9]	74.4 [21.8]
Sens BTUH [kW]		20.1 [5.9]	16.5 [4.8]	16.3 [4.8]	27.0 [7.9]	22.2 [6.5]	21.9 [6.4]	33.2 [9.7]	27.3 [8.0]	27.0 [7.9]	
Power		10.2	9.8	9.8	10	9.6	9.6	10	9.6	9.6	
90°F [32.2]	Total BTUH [kW]	78.7 [23.1]	72.6 [21.3]	72.3 [21.2]	81.0 [23.7]	74.7 [21.9]	74.4 [21.8]	72.2 [21.2]	66.6 [19.5]	66.3 [19.4]	
	Sens BTUH [kW]	12.5 [3.7]	10.3 [3.0]	10.2 [3.0]	19.4 [5.7]	15.9 [4.7]	15.8 [4.6]	25.6 [7.5]	21.0 [6.2]	20.8 [6.1]	
	Power	11	10.5	10.5	10.8	10.4	10.3	10.8	10.3	10.3	
100°F [37.8]	Total BTUH [kW]	67.8 [19.9]	62.5 [18.3]	62.3 [18.2]	70.1 [20.5]	64.7 [18.9]	64.4 [18.9]	61.3 [18.0]	56.5 [16.6]	56.3 [16.5]	
	Sens BTUH [kW]	4.3 [1.3]	3.5 [1.0]	3.5 [1.0]	11.2 [3.3]	9.2 [2.7]	9.1 [2.7]	17.4 [5.1]	14.3 [4.2]	14.1 [4.1]	
	Power	11.9	11.5	11.4	11.8	11.3	11.3	11.8	11.3	11.3	
110 [43.3]	Total BTUH [kW]	54.9 [16.1]	50.6 [14.8]	50.4 [14.8]	57.2 [16.8]	52.7 [15.5]	52.5 [15.4]	48.4 [14.2]	44.6 [13.1]	44.4 [13.0]	
	Sens BTUH [kW]	-4.6 [-1.3]	-3.8 [-1.1]	-3.7 [-1.1]	2.3 [0.7]	1.9 [0.5]	1.9 [0.5]	8.5 [2.5]	7.0 [2.0]	6.9 [2.0]	
	Power	13.2	12.6	12.6	13	12.5	12.4	13	12.5	12.4	
120 [48.9]	Total BTUH [kW]	40.0 [11.7]	36.8 [10.8]	36.7 [10.8]	42.3 [12.4]	39.0 [11.4]	38.8 [11.4]	33.4 [9.8]	30.8 [9.0]	30.7 [9.0]	
	Sens BTUH [kW]	-14.1 [-4.1]	-11.6 [-3.4]	-11.5 [-3.4]	-7.2 [-2.1]	-6.0 [-1.7]	-5.9 [-1.7]	-1.0 [-0.3]	-0.9 [-0.2]	-0.8 [-0.2]	
	Power	14.6	14.1	14	14.5	13.9	13.9	14.4	13.9	13.8	

AIRFLOW PERFORMANCE — 7.5 TON [26.4 kW] — 60 Hz — DOWNFLOW

Air Flow CFM [L/s]	Model RGEDZ*090* Voltage 208/230, 460, 575 — 3 phase 60 Hz																																							
	External Static Pressure—Inches of Water [kPa]																																							
	0.1 [0.02]	0.2 [0.05]	0.3 [0.07]	0.4 [0.10]	0.5 [0.12]	0.6 [0.15]	0.7 [0.17]	0.8 [0.20]	0.9 [0.22]	1.0 [0.25]	1.1 [0.27]	1.2 [0.30]	1.3 [0.32]	1.4 [0.35]	1.5 [0.37]	1.6 [0.40]	1.7 [0.42]	1.8 [0.45]	1.9 [0.47]	2.0 [0.50]																				
2400 [1133]	—	551	782	585	814	619	848	652	885	684	926	717	969	748	1016	780	1065	810	1118	841	1174	870	1233	900	1294	929	1359	957	1427	985	1498	1012	1572	1039	1649	1065	1729	1091	1813	
2500 [1180]	—	562	816	596	848	629	884	661	923	693	964	725	1009	756	1057	787	1108	817	1162	846	1219	876	1279	904	1343	933	1409	960	1478	987	1550	1014	1626	1040	1704	1066	1786	1092	1870	
2600 [1227]	—	574	851	607	885	639	922	671	962	702	1006	733	1052	764	1101	794	1153	823	1209	852	1267	881	1329	909	1393	937	1461	964	1531	990	1605	1016	1682	1042	1762	1067	1844	1092	1930	
2700 [1274]	553	857	585	889	618	925	650	963	681	1004	712	1049	742	1096	772	1147	801	1201	830	1258	858	1317	886	1380	914	1446	941	1515	967	1587	993	1662	1019	1740	1044	1821	1068	1905	1092	1993
2800 [1321]	565	896	597	930	629	966	660	1006	691	1049	721	1095	751	1144	780	1196	808	1251	837	1309	864	1370	892	1434	919	1501	945	1572	971	1645	996	1721	1021	1801	1045	1883	1069	1969	1093	2057
2900 [1368]	577	937	609	972	640	1010	670	1051	701	1096	730	1143	759	1193	788	1246	816	1303	843	1362	871	1425	897	1490	923	1559	949	1630	974	1705	999	1783	1023	1864	1047	1948	1070	2035	1093	2124
3000 [1416]	590	981	621	1017	651	1057	681	1099	710	1145	739	1193	768	1245	796	1300	823	1357	850	1418	877	1482	903	1549	928	1619	953	1692	978	1768	1002	1847	1026	1929	1049	2014	1072	2103	1094	2194
3100 [1463]	602	1027	633	1065	662	1105	692	1149	720	1196	749	1246	777	1299	804	1355	831	1414	857	1476	883	1541	908	1610	933	1681	958	1755	982	1833	1005	1913	1028	1997	1051	2083	1073	2173	1094	2266
3200 [1510]	615	1075	645	1114	674	1157	702	1202	731	1250	758	1301	785	1356	812	1413	838	1473	864	1537	889	1603	914	1673	938	1746	962	1821	986	1900	1008	1982	1031	2067	1053	2155	1074	2246	1095	2340
3300 [1557]	628	1126	657	1166	685	1210	713	1256	741	1306	768	1359	794	1414	820	1473	846	1535	871	1600	896	1668	920	1739	944	1813	967	1890	989	1970	1012	2053	1033	2139	1055	2229	1075	2321	1096	2416
3400 [1604]	640	1179	669	1221	697	1266	724	1314	751	1365	777	1419	803	1476	829	1536	854	1599	878	1665	902	1734	926	1807	949	1882	971	1960	993	2042	1015	2126	1036	2214	1057	2305	1077	2398	1097	2495
3500 [1652]	653	1235	681	1278	708	1324	735	1373	761	1425	787	1481	812	1539	837	1601	861	1665	885	1733	909	1803	932	1877	954	1954	976	2034	997	2116	1018	2202	1039	2291	1059	2383	1078	2478	1097	2576
3600 [1699]	666	1292	693	1337	720	1384	746	1435	771	1489	797	1545	821	1605	845	1668	869	1734	892	1803	915	1875	938	1950	959	2028	981	2109	1001	2193	1022	2280	1042	2371	1061	2464	1080	2560	1098	2660

NOTE: A/F—Drive left of the bold line, B/G—Drive right of bold line.

Drive Package	A/F										B/G										C/H																	
Motor H.P. [W]	2 [1491.4]										3 [2237.1]										3 [2237.1]																	
Blower Sheave	AK84H										AK84H										AK84H																	
Motor Sheave	1VL40*7/8										1VP50*7/8										1VP56*7/8																	
Belt	A49										A50										A51																	
Turns Open	0	1	2	3	4	5	0	1	2	3	4	5	0	1	2	3	4	5	0	1	2	3	4	5	0	1	2	3	4	5	0	1	2	3	4	5		
RPM	767	721	678	635	590	548	992	949	908	866	823	782	1108	1067	1029	987	946	905	864	823	782	741	700	659	618	577	536	495	454	413	372	331	290	249	208	167	126	85

NOTES: 1. Factory sheave settings are shown in bold type.

2. Do not set motor sheave below minimum or maximum turns open shown.

3. Re-adjustment of sheave required to achieve rated airflow at AHRI minimum External Static Pressure

4. Drive data shown is for vertical airflow with dry coil. Add component resistance (below) to duct resistance to determine total External Static Pressure.

[] Designates Metric Conversions

AIRFLOW PERFORMANCE— 7.5 TON [26.4 kW] — 60 Hz — DOWNFLOW (con't.)

Airflow	AIRFLOW CORRECTION FACTORS *			COMPONENT AIRFLOW RESISTANCE				
	CFM [L/s]	Total MBH	Sensible MBH	Power kW	Wet Coil	Vertical Economizer RA Damper Open	Concentric Diffuser RXRN-AEF2000 & Concentric Adapter RXMC-DD01 (Flush)	Concentric Diffuser RXRN-AED2000 & Concentric Adapter RXMC-DD01 (Drop)
		Resistance — Inches of Water [kPa]						
2400 [1133]	0.96	0.89	0.98	0.04 [.01]	0.01 [.00]	0.66 [.16]	0.53 [.13]	
2500 [1180]	0.96	0.90	0.99	0.05 [.01]	0.02 [.00]	0.71 [.18]	0.57 [.14]	
2600 [1227]	0.97	0.92	0.99	0.05 [.01]	0.02 [.01]	0.75 [.19]	0.60 [.15]	
2700 [1274]	0.97	0.93	0.99	0.05 [.01]	0.03 [.01]	0.80 [.20]	0.65 [.16]	
2800 [1321]	0.98	0.95	0.99	0.06 [.01]	0.04 [.01]	0.85 [.21]	0.69 [.17]	
2900 [1368]	0.98	0.96	1.00	0.06 [.02]	0.04 [.01]	0.91 [.23]	0.74 [.18]	
3000 [1416]	0.99	0.97	1.00	0.07 [.02]	0.05 [.01]	0.96 [.24]	0.79 [.20]	
3100 [1463]	1.00	0.99	1.00	0.07 [.02]	0.06 [.02]	1.02 [.25]	0.86 [.21]	
3200 [1510]	1.00	1.00	1.01	0.07 [.02]	0.07 [.02]	1.08 [.27]	0.92 [.23]	
3300 [1557]	1.01	1.02	1.01	0.08 [.02]	0.08 [.02]	1.15 [.29]	0.99 [.25]	
3400 [1604]	1.01	1.03	1.01	0.08 [.02]	0.09 [.02]	1.21 [.30]	1.05 [.26]	
3500 [1652]	1.02	1.05	1.01	0.09 [.02]	0.10 [.02]	1.29 [.32]	1.09 [.27]	
3600 [1699]	1.02	1.06	1.02	0.09 [.02]	0.11 [.03]	1.36 [.34]	1.13 [.28]	

*Multiply correction factor times gross performance data resulting sensible capacity cannot exceed total capacity.

[] Designates Metric Conversions

AIRFLOW PERFORMANCE — 7.5 TON [26.4 kW] — 60 Hz — SIDEFLOW

Air Flow CFM [L/s]	Model RGEDZ*090* Voltage 208/230, 460, 575 — 3 phase 60 Hz																																							
	External Static Pressure—Inches of Water [kPa]																																							
	0.1 [0.02]	0.2 [0.05]	0.3 [0.07]	0.4 [0.10]	0.5 [0.12]	0.6 [0.15]	0.7 [0.17]	0.8 [0.20]	0.9 [0.22]	1.0 [0.25]	1.1 [0.27]	1.2 [0.30]	1.3 [0.32]	1.4 [0.35]	1.5 [0.37]	1.6 [0.40]	1.7 [0.42]	1.8 [0.45]	1.9 [0.47]	2.0 [0.50]																				
2400 [1133]	—	—	558	822	594	853	629	887	663	925	697	965	730	1009	763	1056	794	1106	826	1159	856	1216	886	1275	915	1338	943	1404	971	1474	998	1546	1025	1622	1051	1700	1076	1782		
2500 [1180]	—	—	568	848	604	881	638	917	672	956	705	998	738	1044	769	1092	801	1144	831	1199	861	1258	890	1319	919	1384	947	1452	974	1523	1001	1597	1027	1674	1052	1755	1077	1838		
2600 [1227]	—	543	846	877	613	912	647	950	681	991	713	1035	745	1082	777	1132	807	1186	837	1243	867	1303	895	1366	923	1433	951	1502	978	1575	1004	1651	1029	1730	1054	1812	1078	1898		
2700 [1274]	—	554	877	589	910	623	946	657	986	689	1029	722	1074	753	1124	784	1176	814	1231	844	1290	872	1352	901	1417	928	1485	955	1556	981	1631	1007	1708	1032	1789	1056	1873	1079	1961	
2800 [1321]	—	566	911	600	946	634	984	666	1026	699	1070	730	1118	761	1169	792	1223	821	1280	850	1340	878	1404	906	1470	933	1540	959	1613	985	1690	1010	1768	1034	1852	1058	1938	1081	2027	
2900 [1368]	543	916	577	949	611	986	644	1026	676	1069	708	1115	739	1164	770	1217	799	1273	828	1332	857	1394	885	1459	912	1528	938	1599	964	1674	989	1752	1014	1833	1037	1918	1061	2005	1083	2096
3000 [1416]	555	955	589	990	622	1029	655	1070	687	1115	718	1163	748	1214	778	1269	807	1326	836	1387	864	1451	891	1518	918	1588	944	1662	969	1738	994	1818	1017	1901	1041	1987	1063	2077	1085	2169
3100 [1463]	568	998	601	1035	634	1075	666	1118	697	1165	728	1215	758	1268	787	1324	816	1383	844	1445	871	1511	898	1580	924	1652	949	1727	974	1806	998	1887	1022	1972	1044	2060	1066	2151	1088	2245
3200 [1510]	581	1044	614	1083	646	1125	677	1170	708	1218	738	1270	768	1324	796	1382	824	1443	852	1507	879	1575	905	1646	931	1719	955	1796	980	1876	1003	1960	1026	2046	1048	2136	1070	2229	1091	2325
3300 [1557]	594	1093	626	1134	658	1178	689	1225	719	1275	749	1328	778	1384	806	1444	833	1507	860	1573	887	1642	912	1714	937	1790	962	1869	985	1951	1008	2036	1031	2124	1052	2216	1073	2310	1094	2408
3400 [1604]	607	1146	639	1189	670	1234	701	1283	730	1335	759	1390	788	1448	815	1509	843	1574	869	1642	895	1713	920	1787	944	1864	968	1945	991	2028	1014	2115	1036	2205	1057	2298	1077	2395	1097	2494
3500 [1652]	621	1203	652	1247	683	1294	713	1344	742	1398	770	1455	798	1515	825	1578	852	1644	878	1714	903	1786	928	1862	952	1941	975	2024	997	2109	1019	2198	1041	2290	1061	2385	1081	2483	1101	2584
3600 [1699]	635	1262	666	1308	696	1357	725	1409	754	1465	782	1523	809	1585	836	1650	862	1718	887	1789	912	1864	936	1941	959	2022	982	2106	1004	2194	1025	2284	1046	2378	1066	2474	1086	2574	1104	2677

NOTE: A/F—Drive left of the bold line, B/G—Drive right of bold lines.

Drive Package	A/F										B/G										C/H																	
Motor H.P. [W]	2 [1491.4]										3 [2237.1]										3 [2237.1]																	
Blower Sheave	AK84H										AK84H										AK84H																	
Motor Sheave	1VL40*7/8										1VP50*7/8										1VP56*7/8																	
Belt	A49										A50										A51																	
Turns Open	0	1	2	3	4	5	0	1	2	3	4	5	0	1	2	3	4	5	0	1	2	3	4	5	0	1	2	3	4	5	0	1	2	3	4	5		
RPM	765	720	676	633	589	544	989	949	908	865	823	780	740	699	658	617	576	535	494	453	412	371	330	289	248	207	166	125	84	43	2	1	0	1067	1029	987	946	905

- NOTES: 1. Factory sheave settings are shown in bold type.
 2. Do not set motor sheave below minimum or maximum turns open shown.
 3. Re-adjustment of sheave required to achieve rated airflow at AHRI minimum External Static Pressure
 4. Add component resistance (below) to duct resistance to determine total External Static Pressure.

[] Designates Metric Conversions

AIRFLOW PERFORMANCE— 7.5 TON [26.4 kW] — 60 Hz — SIDEFLOW (con't.)

Airflow	AIRFLOW CORRECTION FACTORS *			COMPONENT AIRFLOW RESISTANCE				
	CFM [L/s]	Total MBH	Sensible MBH	Power kW	Wet Coil	Horizontal Economizer RA Damper Open	Concentric Diffuser RXRN-AEF2000 & Concentric Adapter RXMC-DD01 (Flush)	Concentric Diffuser RXRN-AEF2000 & Concentric Adapter RXMC-DD01 (Drop)
					Resistance — Inches of Water [kPa]			
2400 [1133]	0.96	0.89	0.98	0.98	0.04 [.01]	0.01 [.00]	0.66 [.16]	0.53 [.13]
2500 [1180]	0.96	0.90	0.99	0.99	0.05 [.01]	0.02 [.00]	0.71 [.18]	0.57 [.14]
2600 [1227]	0.97	0.92	0.99	0.99	0.05 [.01]	0.02 [.00]	0.75 [.19]	0.60 [.15]
2700 [1274]	0.97	0.93	0.99	0.99	0.05 [.01]	0.03 [.01]	0.80 [.20]	0.65 [.16]
2800 [1321]	0.98	0.95	0.99	0.99	0.06 [.01]	0.04 [.01]	0.85 [.21]	0.69 [.17]
2900 [1368]	0.98	0.96	1.00	1.00	0.06 [.02]	0.04 [.01]	0.91 [.23]	0.74 [.18]
3000 [1416]	0.99	0.97	1.00	1.00	0.07 [.02]	0.05 [.01]	0.96 [.24]	0.79 [.20]
3100 [1463]	1.00	0.99	1.00	1.00	0.07 [.02]	0.06 [.01]	1.02 [.25]	0.86 [.21]
3200 [1510]	1.00	1.00	1.01	1.01	0.07 [.02]	0.07 [.02]	1.08 [.27]	0.92 [.23]
3300 [1557]	1.01	1.02	1.01	1.01	0.08 [.02]	0.08 [.02]	1.15 [.29]	0.99 [.25]
3400 [1604]	1.01	1.03	1.01	1.01	0.08 [.02]	0.09 [.02]	1.21 [.30]	1.05 [.26]
3500 [1652]	1.02	1.05	1.01	1.01	0.09 [.02]	0.10 [.02]	1.29 [.32]	1.09 [.27]
3600 [1699]	1.02	1.06	1.02	1.02	0.09 [.02]	0.11 [.03]	1.36 [.34]	1.13 [.28]

*Multiply correction factor times gross performance data resulting sensible capacity cannot exceed total capacity.

[] Designates Metric Conversions

AIRFLOW PERFORMANCE — 8.5 TON [29.9 kW] — 60 Hz — DOWNFLOW

Air Flow CFM [L/s]	Model RGEDZ*102* Voltage 208/230, 460, 575 — 3 phase 60 Hz																																							
	External Static Pressure—Inches of Water [kPa]																																							
	0.1 [0.02]	0.2 [0.05]	0.3 [0.07]	0.4 [0.10]	0.5 [0.12]	0.6 [0.15]	0.7 [0.17]	0.8 [0.20]	0.9 [0.22]	1.0 [0.25]	1.1 [0.27]	1.2 [0.30]	1.3 [0.32]	1.4 [0.35]	1.5 [0.37]	1.6 [0.40]	1.7 [0.42]	1.8 [0.45]	1.9 [0.47]	2.0 [0.50]																				
2700 [127.4]	—	561	894	596	934	631	975	665	1018	698	1062	730	1108	762	1155	793	1203	823	1253	853	1304	882	1357	910	1411	937	1467	964	1524	990	1583	1015	1643	1039	1704	1063	1767	1086	1832	
2800 [132.1]	—	573	927	608	969	642	1013	676	1058	708	1104	740	1152	771	1201	802	1252	832	1304	861	1358	889	1413	917	1470	943	1528	970	1587	995	1648	1020	1711	1044	1775	1067	1840	1090	1907	
2900 [136.8]	—	586	964	620	1008	654	1054	687	1101	719	1150	750	1200	781	1252	811	1305	840	1360	869	1416	897	1473	924	1532	950	1593	976	1654	1001	1718	1025	1782	1048	1848	1071	1916	1093	1985	
3000 [141.6]	564	599	1004	633	1051	666	1099	698	1149	730	1200	761	1253	791	1307	820	1362	849	1419	877	1477	904	1537	931	1598	957	1661	982	1725	1006	1791	1030	1858	1053	1926	1075	1996	1097	2067	
3100 [146.3]	578	1001	612	1048	645	1098	678	1148	710	1200	741	1254	771	1308	801	1365	830	1423	858	1482	886	1542	912	1605	939	1668	964	1733	989	1800	1012	1868	1036	1937	1058	2008	1080	2080	1101	2154
3200 [151.0]	592	1046	625	1096	658	1148	690	1201	721	1255	752	1311	782	1368	811	1427	840	1487	867	1548	894	1611	921	1676	946	1742	971	1809	995	1878	1019	1948	1041	2020	1063	2093	1085	2168	1105	2244
3300 [155.7]	605	1096	638	1148	671	1202	702	1257	733	1314	763	1372	793	1432	821	1493	849	1555	877	1619	903	1684	929	1751	954	1819	979	1889	1002	1960	1025	2033	1047	2107	1069	2182	1090	2259	1110	2337
3400 [160.4]	619	1149	652	1204	684	1260	715	1317	745	1376	775	1437	804	1499	832	1562	860	1627	886	1693	912	1761	938	1830	962	1900	986	1972	1009	2046	1032	2121	1053	2197	1074	2275	1095	2354	1114	2435
3500 [165.2]	634	1206	666	1263	697	1322	728	1382	758	1443	787	1506	815	1570	843	1635	870	1702	896	1771	922	1841	946	1912	970	1985	994	2060	1017	2135	1038	2213	1060	2291	1080	2371	1100	2453	1119	2536
3600 [169.9]	648	1267	680	1326	711	1387	741	1449	770	1513	799	1578	827	1645	854	1713	880	1782	906	1853	931	1925	955	1999	979	2074	1002	2151	1024	2229	1045	2308	1066	2389	1086	2472	1105	2556	1124	2641
3700 [174.6]	663	1332	694	1393	724	1456	754	1521	783	1587	811	1654	838	1723	865	1793	891	1865	916	1938	941	2013	965	2089	988	2167	1010	2246	1032	2326	1053	2408	1073	2491	1092	2576	1111	2662	1129	2750
3800 [179.3]	678	1400	708	1464	738	1529	767	1596	795	1665	823	1734	850	1805	876	1878	902	1952	926	2028	951	2105	974	2183	996	2263	1018	2344	1039	2427	1060	2511	1080	2597	1099	2684	1117	2772	1134	2862
3900 [184.0]	693	1472	723	1538	752	1606	781	1675	808	1746	836	1818	862	1892	888	1966	913	2043	937	2121	961	2200	983	2281	1005	2363	1027	2447	1048	2532	1067	2618	1087	2706	1105	2796	1123	2886	1140	2979
4000 [188.8]	708	1548	737	1617	766	1687	794	1758	822	1831	848	1906	874	1981	900	2059	924	2137	948	2218	971	2299	993	2382	1015	2467	1036	2553	1056	2640	1075	2729	1094	2819	1112	2911	1129	3004	1146	3099
4100 [193.5]	723	1628	752	1699	781	1771	808	1845	835	1920	861	1997	887	2075	911	2155	935	2236	959	2318	981	2402	1003	2488	1024	2574	1045	2663	1064	2752	1083	2844	1101	2936	1119	3030	1136	3126	1152	3223

NOTE: A/F—Drive left of the bold line, B/G—Drive right of bold lines.

Drive Package	A/F												B/G												C/H											
Motor H.P. [W]	2 [1491.4]												3 [2237.1]												3 [2237.1]											
Blower Sheave	AK79H												AK79H												AK79H											
Motor Sheave	1VL40*7/8												1VP50*7/8												1VP56*7/8											
Belt	A49												A50												A51											
Turns Open	0	1	2	3	4	5	0	1	2	3	4	5	0	1	2	3	4	5	0	1	2	3	4	5												
RPM	804	758	710	661	616	559	1048	1003	959	914	872	826	959	914	872	826	782	736	959	914	872	826	782	736												

- NOTES: 1. Factory sheave settings are shown in bold type.
 2. Do not set motor sheave below minimum or maximum turns open shown.
 3. Re-adjustment of sheave required to achieve rated airflow at AHRI minimum External Static Pressure
 4. Drive data shown is for vertical airflow with dry coil. Add component resistance (below) to duct resistance to determine total External Static Pressure.

[] Designates Metric Conversions

AIRFLOW PERFORMANCE—8.5 TON [29.9 kW] — 60 Hz — DOWNFLOW (con't.)

Airflow	AIRFLOW CORRECTION FACTORS *			COMPONENT AIRFLOW RESISTANCE			
	Total MBH	Sensible MBH	Power kW	Wet Coil	Vertical Economizer RA Damper Open	Concentric Diffuser RXRN-AEF2000 & Concentric Adapter RXMC-DD01 (Flush)	Concentric Diffuser RXRN-AEF2000 & Concentric Adapter RXMC-DD01 (Drop)
CFM [L/s]	Resistance — Inches of Water [kPa]						
2700 [1274]	0.97	0.93	0.99	0.07 [.02]	0.03 [.01]	0.80 [.20]	0.65 [.16]
2800 [1321]	0.98	0.94	0.99	0.07 [.02]	0.03 [.01]	0.85 [.21]	0.69 [.17]
2900 [1368]	0.98	0.96	0.99	0.08 [.02]	0.04 [.01]	0.91 [.23]	0.74 [.18]
3000 [1416]	0.99	0.97	1.00	0.08 [.02]	0.05 [.01]	0.96 [.24]	0.79 [.20]
3100 [1463]	0.99	0.99	1.00	0.09 [.02]	0.06 [.01]	1.02 [.25]	0.86 [.21]
3200 [1510]	1.00	1.00	1.00	0.10 [.02]	0.07 [.02]	1.08 [.27]	0.92 [.23]
3300 [1557]	1.01	1.01	1.00	0.10 [.03]	0.08 [.02]	1.15 [.29]	0.99 [.25]
3400 [1604]	1.01	1.03	1.01	0.11 [.03]	0.09 [.02]	1.21 [.30]	1.05 [.26]
3500 [1652]	1.02	1.04	1.01	0.11 [.03]	0.10 [.02]	1.29 [.32]	1.09 [.27]
3600 [1699]	1.02	1.06	1.01	0.12 [.03]	0.11 [.03]	1.36 [.34]	1.13 [.28]
3700 [1746]	1.03	1.07	1.02	0.13 [.03]	0.12 [.03]	1.43 [.36]	1.18 [.29]
3800 [1793]	1.03	1.09	1.02	0.13 [.03]	0.13 [.03]	1.50 [.37]	1.23 [.31]
3900 [1840]	1.04	1.10	1.02	0.14 [.04]	0.15 [.04]	1.59 [.40]	1.31 [.33]
4000 [1888]	1.05	1.12	1.02	0.14 [.04]	0.16 [.04]	1.68 [.42]	1.38 [.34]
4100 [1935]	1.05	1.13	1.03	0.15 [.04]	0.17 [.04]	1.74 [.43]	1.44 [.36]

*Multiply correction factor times gross performance data resulting sensible capacity cannot exceed total capacity.

[] Designates Metric Conversions

AIRFLOW PERFORMANCE — 8.5 TON [29.9 kW] — 60 Hz — SIDEFLOW

Model RGEDZ*102* Voltage 208/230, 460, 575 — 3 phase 60 Hz		External Static Pressure—Inches of Water [kPa]																																							
Air Flow CFM [L/s]	RPM	0.1 [0.02]		0.2 [0.05]		0.3 [0.07]		0.4 [0.10]		0.5 [0.12]		0.6 [0.15]		0.7 [0.17]		0.8 [0.20]		0.9 [0.22]		1.0 [0.25]		1.1 [0.27]		1.2 [0.30]		1.3 [0.32]		1.4 [0.35]		1.5 [0.37]		1.6 [0.40]		1.7 [0.42]		1.8 [0.45]		1.9 [0.47]		2.0 [0.50]	
		W	RPM	W	RPM	W	RPM	W	RPM	W	RPM	W	RPM	W	RPM	W	RPM	W	RPM	W	RPM	W	RPM	W	RPM	W	RPM	W	RPM	W	RPM	W	RPM	W	RPM	W	RPM	W	RPM	W	RPM
2700 [1274]	—	—	577	932	611	969	644	1009	677	1052	710	1098	742	1147	774	1199	806	1254	837	1312	868	1373	898	1437	929	1505	959	1575	988	1648	1017	1725	1046	1804	1074	1886	1102	1972			
2800 [1321]	—	—	556	926	589	962	622	1000	655	1042	687	1087	719	1134	751	1185	783	1239	814	1295	844	1355	875	1418	905	1484	934	1553	963	1624	992	1699	1021	1777	1049	1858	1077	1942	1105	2029	
2900 [1368]	—	—	568	958	601	995	633	1036	666	1079	697	1125	729	1174	760	1227	791	1282	821	1340	851	1402	881	1466	911	1533	940	1604	968	1677	997	1754	1025	1834	1052	1916	1080	2002	1107	2090	
3000 [1416]	—	—	580	994	613	1033	645	1074	676	1119	708	1167	738	1218	769	1272	799	1329	829	1389	859	1452	888	1518	917	1587	945	1659	973	1734	1001	1812	1029	1894	1056	1978	1082	2065	1109	2155	
3100 [1463]	561	996	593	1033	624	1073	656	1117	687	1163	718	1213	748	1266	778	1321	808	1379	837	1441	866	1506	895	1573	923	1644	951	1718	978	1794	1006	1874	1033	1957	1059	2043	1085	2132	1111	2224	
3200 [1510]	574	1037	605	1076	636	1118	667	1163	698	1211	728	1262	758	1316	787	1373	816	1434	845	1497	873	1563	902	1632	929	1705	957	1780	984	1858	1010	1940	1037	2024	1063	2112	1088	2202	1113	2296	
3300 [1557]	587	1082	618	1122	648	1166	679	1212	709	1262	738	1315	767	1371	796	1430	825	1491	853	1556	881	1624	908	1695	936	1769	962	1846	989	1926	1015	2009	1041	2095	1066	2184	1091	2276	1116	2372	
3400 [1604]	600	1130	630	1172	660	1217	690	1266	720	1317	749	1371	777	1429	806	1489	834	1553	861	1619	888	1689	915	1761	942	1837	968	1916	994	1997	1020	2082	1045	2170	1070	2260	1094	2354	1118	2451	
3500 [1652]	613	1182	643	1226	672	1273	702	1323	730	1376	759	1432	787	1491	815	1553	842	1618	869	1686	896	1757	922	1831	948	1909	974	1989	999	2072	1024	2158	1049	2248	1073	2340	1097	2436	1121	2534	
3600 [1699]	626	1238	656	1283	685	1332	713	1383	741	1438	769	1495	797	1556	824	1620	851	1687	877	1756	904	1829	929	1905	955	1984	980	2066	1005	2151	1029	2238	1053	2329	1077	2423	1100	2520	1123	2621	
3700 [1746]	640	1297	668	1344	697	1394	725	1447	753	1504	780	1563	807	1625	833	1690	860	1759	886	1830	911	1905	937	1982	961	2063	986	2146	1010	2233	1034	2322	1057	2415	1081	2510	1103	2609	1128	2711	
3800 [1793]	653	1360	681	1409	709	1460	737	1515	764	1573	790	1634	817	1698	843	1765	869	1835	894	1908	919	1984	944	2063	968	2145	992	2230	1016	2318	1039	2410	1062	2504	1084	2601	1107	2701	1128	2805	
3900 [1840]	667	1426	694	1477	721	1530	748	1587	775	1646	801	1709	827	1774	852	1843	878	1914	902	1989	927	2067	951	2147	975	2231	998	2318	1021	2408	1044	2500	1066	2596	1088	2695	1110	2797	1131	2902	
4000 [1888]	680	1486	707	1548	734	1604	760	1662	786	1723	812	1787	837	1854	862	1924	887	1998	911	2074	935	2153	958	2235	981	2321	1004	2409	1027	2501	1049	2595	1071	2693	1092	2793	1113	2897	1134	3003	
4100 [1935]	694	1570	720	1624	746	1681	772	1740	797	1803	822	1869	847	1938	872	2009	896	2084	919	2162	943	2243	965	2327	988	2414	1010	2504	1032	2597	1054	2693	1075	2792	1096	2895	1116	3000	1137	3108	

NOTE: A/F—Drive left of the bold line, B/G—Drive right of bold lines.

Drive Package	A/F	B/G	C/H
Motor H.P. [W]	2 [1491.4]	3 [2237.1]	3 [2237.1]
Blower Sheave	AK79H	AK79H	AK79H
Motor Sheave	1VL40*7/8	1VP50*7/8	1VP56*7/8
Belt	A49	A50	A51
Turns Open	0	1	2
RPM	802	754	707
	707	662	616
	555	516	475
	960	916	870
	1048	1005	960
	1044	1000	956

- NOTES: 1. Factory sheave settings are shown in bold type.
 2. Do not set motor sheave below minimum or maximum turns open shown.
 3. Re-adjustment of sheave required to achieve rated airflow at AHRI minimum External Static Pressure
 4. Add component resistance (below) to duct resistance to determine total External Static Pressure.

[] Designates Metric Conversions

AIRFLOW PERFORMANCE—8.5 TON [29.9 kW] — 60 Hz — SIDEFLOW (con't.)

Airflow	AIRFLOW CORRECTION FACTORS *			COMPONENT AIRFLOW RESISTANCE				
	CFM [L/s]	Total MBH	Sensible MBH	Power kW	Wet Coil	Horizontal Economizer RA Damper Open	Concentric Diffuser RXRN-AEF2000 & Concentric Adapter RXMC-DD01 (Flush)	Concentric Diffuser RXRN-AED2000 & Concentric Adapter RXMC-DD01 (Drop)
2700 [1274]	0.97	0.93	0.99	0.99	0.07 [.02]	0.03 [.01]	0.80 [.20]	0.65 [.16]
2800 [1321]	0.98	0.94	0.99	0.99	0.07 [.02]	0.03 [.01]	0.85 [.21]	0.69 [.17]
2900 [1368]	0.98	0.96	0.99	0.99	0.08 [.02]	0.04 [.01]	0.91 [.23]	0.74 [.18]
3000 [1416]	0.99	0.97	1.00	1.00	0.08 [.02]	0.05 [.01]	0.96 [.24]	0.79 [.20]
3100 [1463]	0.99	0.99	1.00	1.00	0.09 [.02]	0.06 [.01]	1.02 [.25]	0.86 [.21]
3200 [1510]	1.00	1.00	1.00	1.00	0.10 [.02]	0.07 [.02]	1.08 [.27]	0.92 [.23]
3300 [1557]	1.01	1.01	1.00	1.00	0.10 [.03]	0.08 [.02]	1.15 [.29]	0.99 [.25]
3400 [1604]	1.01	1.03	1.01	1.01	0.11 [.03]	0.09 [.02]	1.21 [.30]	1.05 [.26]
3500 [1652]	1.02	1.04	1.01	1.01	0.11 [.03]	0.10 [.02]	1.29 [.32]	1.09 [.27]
3600 [1699]	1.02	1.06	1.01	1.01	0.12 [.03]	0.11 [.03]	1.36 [.34]	1.13 [.28]
3700 [1746]	1.03	1.07	1.02	1.02	0.13 [.03]	0.12 [.03]	1.43 [.36]	1.18 [.29]
3800 [1793]	1.03	1.09	1.02	1.02	0.13 [.03]	0.13 [.03]	1.50 [.37]	1.23 [.31]
3900 [1840]	1.04	1.10	1.02	1.02	0.14 [.04]	0.15 [.04]	1.59 [.40]	1.31 [.33]
4000 [1888]	1.05	1.12	1.02	1.02	0.15 [.04]	0.16 [.04]	1.68 [.42]	1.38 [.34]
4100 [1935]	1.05	1.13	1.03	1.03	0.15 [.04]	0.17 [.04]	1.74 [.43]	1.44 [.36]

*Multiply correction factor times gross performance data resulting sensible capacity cannot exceed total capacity.

[] Designates Metric Conversions

AIRFLOW PERFORMANCE—10 TON [35.1 kW] — 60 Hz — DOWNFLOW

Air Flow CFM [L/s]	Model RGEDZ*120* Voltage 208/230, 460, 575 — 3 phase 60 Hz																																									
	External Static Pressure—Inches of Water [kPa]																																									
		0.1 [0.02]		0.2 [0.05]		0.3 [0.07]		0.4 [0.10]		0.5 [0.12]		0.6 [0.15]		0.7 [0.17]		0.8 [0.20]		0.9 [0.22]		1.0 [0.25]		1.1 [0.27]		1.2 [0.30]		1.3 [0.32]		1.4 [0.35]		1.5 [0.37]		1.6 [0.40]		1.7 [0.42]		1.8 [0.45]		1.9 [0.47]		2.0 [0.50]		
		RPM	W	RPM	W	RPM	W	RPM	W	RPM	W	RPM	W	RPM	W	RPM	W	RPM	W	RPM	W	RPM	W	RPM	W	RPM	W	RPM	W	RPM	W	RPM	W	RPM	W	RPM	W	RPM	W	RPM	W	
3200 [1510]	597	1046	629	1092	661	1141	692	1191	723	1242	753	1296	782	1351	811	1409	839	1468	867	1528	893	1591	920	1655	945	1722	970	1790	994	1859	1018	1931	1041	2004	1064	2080	1085	2157	1107	2236		
3300 [1557]	610	1092	642	1141	674	1192	705	1244	735	1299	764	1355	793	1413	822	1473	849	1535	876	1599	903	1664	928	1731	954	1800	978	1871	1002	1943	1025	2018	1048	2094	1070	2172	1091	2251	1112	2333		
3400 [1604]	624	1142	655	1194	686	1247	717	1303	747	1360	776	1419	804	1480	832	1542	859	1607	886	1673	912	1741	937	1811	962	1883	986	1956	1010	2031	1032	2108	1055	2187	1076	2268	1097	2350	1117	2435		
3500 [1652]	638	1196	669	1251	705	1307	729	1365	759	1425	787	1487	815	1550	843	1616	843	1683	896	1752	921	1821	946	1895	971	1969	994	2046	1017	2124	1040	2203	1061	2285	1083	2368	1103	2454	1123	2541		
3600 [1699]	651	1255	682	1312	712	1371	742	1432	771	1494	799	1559	827	1625	854	1693	880	1763	906	1835	931	1908	955	1984	979	2061	1003	2140	1025	2220	1047	2303	1068	2387	1089	2473	1109	2561	1129	2651		
3700 [1746]	665	1317	696	1377	725	1439	755	1503	783	1568	811	1635	838	1704	865	1775	891	1848	916	1922	941	1998	965	2076	988	2156	1011	2238	1033	2321	1055	2406	1075	2493	1096	2582	1115	2673	1134	2765		
3800 [1793]	679	1385	709	1447	739	1512	767	1578	795	1646	823	1716	851	1788	876	1861	901	1937	926	2014	941	2093	974	2173	997	2256	1019	2340	1041	2426	1062	2514	1083	2604	1102	2696	1122	2789	1140	2884		
3900 [1840]	693	1456	723	1521	752	1589	780	1658	808	1728	835	1801	861	1875	887	1952	912	2030	936	2110	960	2191	983	2275	1006	2360	1028	2447	1049	2536	1070	2627	1090	2719	1109	2813	1128	2909	1146	3007		
4000 [1888]	708	1532	737	1600	765	1670	793	1741	820	1815	847	1890	873	1967	898	2046	923	2127	947	2210	970	2294	993	2380	1015	2468	1036	2558	1057	2650	1077	2743	1097	2838	1116	2935	1134	3034	1152	3135		
4100 [1935]	722	1612	751	1682	779	1755	806	1830	833	1906	859	1984	884	2064	909	2145	933	2229	957	2314	980	2401	1002	2490	1024	2581	1045	2673	1065	2768	1085	2864	1104	2962	1123	3061	1141	3163	1168	3266		
4200 [1982]	736	1696	765	1769	792	1845	819	1922	845	2001	871	2082	896	2164	921	2249	944	2335	968	2423	990	2513	1012	2604	1033	2698	1054	2793	1074	2890	1093	2989	1112	3090	1130	3192	1147	3296	1164	3402		
4300 [2029]	751	1784	779	1861	806	1939	832	2019	858	2100	883	2184	908	2269	932	2356	955	2445	978	2536	1000	2629	1022	2723	1043	2819	1063	2917	1082	3017	1101	3118	1119	3222	1137	3327	1154	3434	—	—		
4400 [2076]	765	1877	793	1956	820	2037	846	2120	871	2204	896	2290	920	2378	944	2468	967	2560	989	2653	1010	2749	1032	2846	1052	2945	1072	3045	1091	3148	1109	3252	1127	3358	1144	3466	1161	3576	—	—		
4500 [2123]	780	1974	807	2056	833	2140	859	2225	884	2312	908	2401	932	2492	955	2584	978	2679	1000	2775	1021	2873	1041	2973	1061	3074	1081	3178	1099	3283	1117	3390	1135	3499	1152	3609	1168	3722	—	—		
4600 [2171]	795	2076	821	2160	847	2246	872	2335	897	2424	921	2516	944	2610	967	2705	989	2802	1010	2901	1031	3002	1051	1071	3208	1090	3314	1108	3422	1126	3532	1143	3644	1159	3757	—	—	—	—	—	—	
4700 [2218]	810	2181	836	2269	861	2358	886	2448	910	2541	934	2635	957	2732	979	2830	1000	2929	1021	3031	1042	3134	1062	3240	1081	3347	1099	3455	1117	3566	1134	3679	1151	3793	1167	3909	—	—	—	—	—	—
4800 [2265]	825	2291	850	2381	875	2473	900	2567	923	2662	946	2759	969	2858	991	2959	1012	3061	1033	3165	1052	3272	1072	3380	1090	3489	1108	3601	1126	3714	1143	3829	1159	3946	—	—	—	—	—	—	—	—

NOTE: A/F—Drive left of the bold line, B/G—Drive right of bold lines.

Drive Package	A/F	B/G	C/H
Motor H.P. [W]	2 [1491.4]	3 [2237.1]	3 [2237.1]
Blower Sheave	AK79H	AK79H	AK79H
Motor Sheave	1VL40*7/8	1VP50*7/8	1VP56*7/8
Belt	A49	A50	A51
Turns Open	0	1	2
RPM	802	758	710
Turns Open	0	1	2
RPM	802	758	710
Turns Open	0	1	2
RPM	802	758	710
Turns Open	0	1	2
RPM	802	758	710
Turns Open	0	1	2
RPM	802	758	710
Turns Open	0	1	2
RPM	802	758	710

NOTES: 1. Factory sheave settings are shown in bold type.

2. Do not set motor sheave below minimum or maximum turns open shown.

3. Re-adjustment of sheave required to achieve rated airflow at AHRI minimum External Static Pressure

4. Drive data shown is for vertical airflow with dry coil. Add component resistance (below) to duct resistance to determine total External Static Pressure.

[] Designates Metric Conversions

AIRFLOW PERFORMANCE — 10 TON [35.1 kW] — 60 Hz — DOWNFLOW (con't.)

Airflow	AIRFLOW CORRECTION FACTORS *			COMPONENT AIRFLOW RESISTANCE				
	CFM [L/s]	Total MBH	Sensible MBH	Power kW	Wet Coil	Vertical Economizer RA Damper Open	Concentric Diffuser RXRN-AEF3415 & Diffuser RXMC-DD02 (Flush)	Concentric Diffuser RXRN-AEF3415 & Diffuser RXMC-DD02 (Drop)
					Resistance — Inches of Water [kPa]			
3200 [1510]	0.97	0.93	0.99	0.99	0.10 [.02]	0.07 [.02]	0.74 [.18]	0.56 [.14]
3300 [1557]	0.98	0.94	0.99	0.99	0.10 [.03]	0.08 [.02]	0.79 [.20]	0.59 [.15]
3400 [1604]	0.98	0.96	0.99	0.99	0.11 [.03]	0.09 [.02]	0.84 [.21]	0.62 [.15]
3500 [1652]	0.99	0.97	1.00	1.00	0.11 [.03]	0.10 [.02]	0.90 [.22]	0.66 [.16]
3600 [1699]	0.99	0.98	1.00	1.00	0.12 [.03]	0.11 [.03]	0.95 [.24]	0.69 [.17]
3700 [1746]	1.00	0.99	1.00	1.00	0.13 [.03]	0.12 [.03]	1.00 [.25]	0.73 [.18]
3800 [1793]	1.00	1.01	1.00	1.00	0.13 [.03]	0.13 [.03]	1.04 [.26]	0.76 [.19]
3900 [1840]	1.01	1.02	1.00	1.00	0.14 [.04]	0.15 [.04]	1.09 [.27]	0.80 [.20]
4000 [1888]	1.01	1.03	1.01	1.01	0.15 [.04]	0.16 [.04]	1.13 [.28]	0.84 [.21]
4100 [1935]	1.02	1.04	1.01	1.01	0.15 [.04]	0.17 [.04]	1.19 [.30]	0.88 [.22]
4200 [1982]	1.02	1.06	1.01	1.01	0.16 [.04]	0.19 [.05]	1.24 [.31]	0.92 [.23]
4300 [2029]	1.03	1.07	1.01	1.01	0.17 [.04]	0.20 [.05]	1.31 [.33]	0.97 [.24]
4400 [2076]	1.03	1.08	1.01	1.01	0.18 [.04]	0.21 [.05]	1.37 [.34]	1.02 [.25]
4500 [2123]	1.04	1.09	1.02	1.02	0.19 [.05]	0.23 [.06]	1.43 [.35]	1.07 [.27]
4600 [2171]	1.04	1.11	1.02	1.02	0.19 [.05]	0.24 [.06]	1.48 [.37]	1.11 [.28]
4700 [2218]	1.05	1.12	1.02	1.02	0.20 [.05]	0.26 [.06]	1.54 [.38]	1.15 [.29]
4800 [2265]	1.05	1.13	1.02	1.02	0.21 [.05]	0.28 [.07]	1.59 [.40]	1.19 [.30]

*Multiply correction factor times gross performance data resulting sensible capacity cannot exceed total capacity.

[] Designates Metric Conversions

AIRFLOW PERFORMANCE— 10 TON [35.1 kW] — 60 Hz — SIDEFLOW (con't.)

Airflow	AIRFLOW CORRECTION FACTORS *			COMPONENT AIRFLOW RESISTANCE				
	CFM [L/s]	Total MBH	Sensible MBH	Power kW	Wet Coil	Horizontal Economizer RA Damper Open	Concentric Diffuser RXRN-AEF3415 & Diffuser RXMC-DD02 (Flush)	Concentric Diffuser RXRN-AEF3415 & Diffuser RXMC-DD02 (Drop)
3200 [1510]	0.97	0.93	0.99	0.99	0.10 [.02]	0.07 [.02]	0.74 [.18]	0.56 [.14]
3300 [1557]	0.98	0.94	0.99	0.99	0.10 [.03]	0.08 [.02]	0.79 [.20]	0.59 [.15]
3400 [1604]	0.98	0.96	0.99	0.99	0.11 [.03]	0.09 [.02]	0.84 [.21]	0.62 [.15]
3500 [1652]	0.99	0.97	1.00	1.00	0.11 [.03]	0.10 [.02]	0.90 [.22]	0.66 [.16]
3600 [1699]	0.99	0.98	1.00	1.00	0.12 [.03]	0.11 [.03]	0.95 [.24]	0.69 [.17]
3700 [1746]	1.00	0.99	1.00	1.00	0.13 [.03]	0.12 [.03]	1.00 [.25]	0.73 [.18]
3800 [1793]	1.00	1.01	1.00	1.00	0.13 [.03]	0.13 [.03]	1.04 [.26]	0.76 [.19]
3900 [1840]	1.01	1.02	1.00	1.00	0.14 [.04]	0.15 [.04]	1.09 [.27]	0.80 [.20]
4000 [1888]	1.01	1.03	1.01	1.01	0.15 [.04]	0.16 [.04]	1.13 [.28]	0.84 [.21]
4100 [1935]	1.02	1.04	1.01	1.01	0.15 [.04]	0.17 [.04]	1.19 [.30]	0.88 [.22]
4200 [1982]	1.02	1.06	1.01	1.01	0.16 [.04]	0.19 [.05]	1.24 [.31]	0.92 [.23]
4300 [2029]	1.03	1.07	1.01	1.01	0.17 [.04]	0.20 [.05]	1.31 [.33]	0.97 [.24]
4400 [2076]	1.03	1.08	1.01	1.01	0.18 [.04]	0.21 [.05]	1.37 [.34]	1.02 [.25]
4500 [2123]	1.04	1.09	1.02	1.02	0.19 [.05]	0.23 [.06]	1.43 [.35]	1.07 [.27]
4600 [2171]	1.04	1.11	1.02	1.02	0.19 [.05]	0.24 [.06]	1.48 [.37]	1.11 [.28]
4700 [2218]	1.05	1.12	1.02	1.02	0.20 [.05]	0.26 [.06]	1.54 [.38]	1.15 [.29]
4800 [2265]	1.05	1.13	1.02	1.02	0.21 [.05]	0.28 [.07]	1.59 [.40]	1.19 [.30]

*Multiply correction factor times gross performance data resulting sensible capacity cannot exceed total capacity.

[] Designates Metric Conversions

AIRFLOW PERFORMANCE—12.5 TON [43.9 kW] — 60 Hz — DOWNFLOW

Air Flow CFM [L/s]	Model RGEDZ*150* Voltage 208/230, 460, 575 — 3 phase 60 Hz																							
	External Static Pressure—Inches of Water [kPa]																							
	0.1 [0.02]	0.2 [0.05]	0.3 [0.07]	0.4 [0.10]	0.5 [0.12]	0.6 [0.15]	0.7 [0.17]	0.8 [0.20]	0.9 [0.22]	1.0 [0.25]	1.1 [0.27]	1.2 [0.30]	1.3 [0.32]	1.4 [0.35]	1.5 [0.37]	1.6 [0.40]	1.7 [0.42]	1.8 [0.45]	1.9 [0.47]	2.0 [0.50]				
4000 [1888]	766 [1776]	795 [1806]	824 [1842]	851 [1883]	878 [1931]	904 [1985]	929 [2044]	953 [2110]	976 [2181]	998 [2259]	1019 [2342]	1040 [2431]	1059 [2526]	1078 [2627]	1096 [2734]	1113 [2847]	1129 [2966]	1144 [3091]	1158 [3221]	1171 [3358]				
4100 [1935]	778 [1820]	807 [1856]	835 [1897]	862 [1944]	888 [1997]	913 [2056]	937 [2120]	961 [2191]	983 [2268]	1005 [2350]	1026 [2439]	1045 [2533]	1064 [2634]	1082 [2740]	1099 [2852]	1116 [2970]	1131 [3094]	1145 [3224]	1159 [3360]	1171 [3502]				
4200 [1982]	792 [1875]	820 [1915]	847 [1961]	873 [2014]	899 [2072]	923 [2136]	947 [2206]	969 [2282]	991 [2364]	1012 [2451]	1032 [2545]	1051 [2645]	1070 [2750]	1087 [2862]	1103 [2979]	1119 [3102]	1134 [3232]	1147 [3367]	1160 [3508]	1172 [3655]				
4300 [2029]	806 [1938]	833 [1984]	859 [2036]	885 [2093]	910 [2156]	934 [2226]	957 [2301]	979 [2382]	1000 [2469]	1020 [2562]	1040 [2661]	1058 [2766]	1076 [2877]	1092 [2993]	1108 [3116]	1123 [3244]	1137 [3379]	1150 [3519]	1162 [3665]	1174 [3818]				
4400 [2076]	820 [2012]	847 [2063]	873 [2119]	898 [2182]	922 [2251]	945 [2325]	967 [2406]	989 [2492]	1009 [2584]	1029 [2682]	1048 [2787]	1065 [2897]	1082 [3013]	1098 [3134]	1113 [3262]	1128 [3396]	1141 [3536]	1154 [3681]	1165 [3833]	1176 [3990]				
4500 [2123]	835 [2095]	861 [2151]	886 [2213]	911 [2281]	934 [2355]	957 [2434]	978 [2520]	999 [2611]	1019 [2709]	1038 [2812]	1056 [2922]	1073 [3037]	1090 [3158]	1105 [3285]	1119 [3418]	1133 [3557]	1146 [3702]	1158 [3853]	1168 [4009]	1178 [4172]				
4600 [2171]	851 [2187]	876 [2249]	901 [2316]	925 [2389]	947 [2468]	969 [2553]	990 [2644]	1010 [2740]	1030 [2843]	1048 [2952]	1065 [3066]	1082 [3187]	1097 [3313]	1112 [3445]	1126 [3584]	1139 [3728]	1151 [3878]	1162 [4034]	1172 [4196]	1182 [4363]				
4800 [2265]	884 [2401]	908 [2473]	932 [2551]	954 [2634]	975 [2723]	996 [2819]	1016 [2920]	1034 [3027]	1052 [3140]	1069 [3259]	1085 [3384]	1101 [3515]	1115 [3652]	1128 [3795]	1141 [3943]	1153 [4098]	1163 [4258]	1173 [4425]	1182 [4597]	1190 [4775]				
4900 [2312]	902 [2523]	925 [2599]	948 [2682]	969 [2771]	990 [2866]	1010 [2966]	1029 [3073]	1047 [3185]	1065 [3303]	1081 [3427]	1097 [3558]	1111 [3694]	1125 [3836]	1138 [3984]	1149 [4137]	1160 [4297]	1170 [4463]	1180 [4634]	1188 [4812]	1195 [4995]				
5000 [2359]	920 [2653]	943 [2736]	965 [2824]	986 [2917]	1006 [3017]	1025 [3123]	1044 [3235]	1061 [3352]	1078 [3476]	1093 [3605]	1108 [3741]	1122 [3882]	1135 [4029]	1147 [4182]	1158 [4341]	1169 [4506]	1178 [4677]	1187 [4854]	1194 [5036]	1201 [5225]				
5200 [2454]	958 [2944]	980 [3036]	1000 [3135]	1020 [3239]	1039 [3349]	1057 [3465]	1074 [3588]	1090 [3716]	1105 [3849]	1120 [3989]	1133 [4135]	1146 [4287]	1158 [4444]	1168 [4608]	1178 [4777]	1187 [4953]	1196 [5134]	1203 [5321]	1209 [5514]	1215 [5713]				
5300 [2501]	978 [3103]	999 [3201]	1019 [3305]	1038 [3414]	1056 [3530]	1074 [3651]	1090 [3778]	1106 [3912]	1120 [4051]	1134 [4196]	1147 [4347]	1159 [4504]	1170 [4666]	1180 [4835]	1189 [5010]	1198 [5190]	1205 [5377]	1212 [5569]	1217 [5767]	1222 [5972]				
5400 [2548]	999 [3273]	1019 [3376]	1038 [3484]	1057 [3599]	1074 [3720]	1091 [3846]	1107 [3979]	1122 [4117]	1136 [4261]	1149 [4412]	1161 [4568]	1172 [4730]	1183 [4898]	1192 [5072]	1201 [5252]	1209 [5438]	1215 [5629]	1221 [5827]	1226 [6030]	—				
5500 [2595]	1020 [3451]	1040 [3559]	1058 [3673]	1076 [3793]	1093 [3919]	1109 [4051]	1124 [4189]	1138 [4332]	1152 [4482]	1164 [4637]	1176 [4799]	1186 [4966]	1196 [5139]	1205 [5318]	1213 [5503]	1220 [5694]	1226 [5891]	—	—	—				
5600 [2643]	1042 [3640]	1061 [3753]	1079 [3872]	1096 [3997]	1112 [4128]	1128 [4265]	1142 [4408]	1156 [4557]	1168 [4712]	1180 [4872]	1191 [5039]	1201 [5212]	1210 [5390]	1218 [5574]	1226 [5765]	—	—	—	—	—				
5700 [2690]	1064 [3838]	1083 [3956]	1100 [4080]	1117 [4211]	1132 [4347]	1147 [4489]	1161 [4637]	1174 [4791]	1186 [4951]	1197 [5117]	1207 [5289]	1216 [5467]	1225 [5650]	—	—	—	—	—	—	—				
5800 [2737]	1088 [4045]	1105 [4169]	1122 [4298]	1138 [4434]	1153 [4575]	1167 [4723]	1180 [4876]	1192 [5035]	1204 [5200]	1214 [5371]	1224 [5548]	—	—	—	—	—	—	—	—	—				
5900 [2784]	1111 [4262]	1128 [4391]	1144 [4526]	1160 [4666]	1174 [4813]	1187 [4966]	1200 [5124]	1211 [5289]	1222 [5459]	—	—	—	—	—	—	—	—	—	—	—				
6000 [2831]	1136 [4489]	1152 [4623]	1167 [4763]	1182 [4909]	1196 [5061]	1208 [5218]	1220 [5382]	—	—	—	—	—	—	—	—	—	—	—	—	—				

NOTE: AF-Drive left of the bold line, B/G-Drive right of bold lines.

Drive Package	A					B						
	0	1	2	3	4	5	0	1	2	3	4	5
Motor H.P. [W]	3 [1118.5]					5 [2237.1]						
Blower Sheave	AK71H					AK79H						
Motor Sheave	1VL44*7/8					1VP60*1x1/8						
Belt	A48					A52						
Turns Open	0	1	2	3	4	5	0	1	2	3	4	5
RPM	1003	958	912	863	814	764	1220	1171	1127	1085	1039	994

NOTES: 1. Factory sheave settings are shown in bold type.

2. Do not set motor sheave below minimum or maximum turns open shown.

3. Re-adjustment of sheave required to achieve rated airflow at AHRI minimum External Static Pressure

4. Drive data shown is for vertical airflow with dry coil. Add component resistance (below) to duct resistance to determine total External Static Pressure.

[] Designates Metric Conversions

AIRFLOW PERFORMANCE — 12.5 TON [43.9 kW] — 60 Hz — DOWNFLOW (con't.)

Airflow	AIRFLOW CORRECTION FACTORS *			COMPONENT AIRFLOW RESISTANCE				
	CFM [L/s]	Total MBH	Sensible MBH	Power kW	Wet Coil	Vertical Economizer RA Damper Open	Concentric Diffuser RXRN-AEF3618 & Concentric Adapter RXMC-DD03 (Flush)	Concentric Diffuser RXRN-AEF3618 & Concentric Adapter RXMC-DD03 (Drop)
4000 [1888]	1.01	1.03	1.01	1.01	0.15 [04]	0.16 [04]	0.76 [19]	0.68 [17]
4100 [1935]	1.02	1.04	1.01	1.01	0.16 [04]	0.17 [04]	0.79 [20]	0.72 [18]
4200 [1982]	1.02	1.06	1.01	1.01	0.17 [04]	0.19 [05]	0.82 [20]	0.75 [19]
4300 [2029]	1.03	1.07	1.01	1.01	0.17 [04]	0.20 [05]	0.86 [21]	0.79 [20]
4400 [2076]	1.03	1.08	1.01	1.01	0.18 [05]	0.21 [05]	0.90 [22]	0.83 [21]
4500 [2123]	1.04	1.09	1.02	1.02	0.19 [05]	0.23 [06]	0.94 [23]	0.86 [21]
4600 [2171]	1.04	1.11	1.02	1.02	0.20 [05]	0.24 [06]	0.98 [24]	0.89 [22]
4700 [2218]	1.05	1.12	1.02	1.02	0.21 [05]	0.26 [06]	1.02 [25]	0.94 [23]
4800 [2265]	1.05	1.13	1.02	1.02	0.21 [05]	0.28 [07]	1.06 [26]	0.98 [24]
4900 [2312]	1.06	1.14	1.02	1.02	0.22 [06]	0.29 [07]	1.10 [27]	1.01 [25]
5000 [2359]	1.06	1.16	1.03	1.03	0.23 [06]	0.31 [08]	1.14 [28]	1.04 [26]
5100 [2407]	1.07	1.17	1.03	1.03	0.24 [06]	0.33 [08]	1.18 [29]	1.07 [27]
5200 [2454]	1.07	1.18	1.03	1.03	0.25 [06]	0.35 [09]	1.22 [30]	1.10 [27]
5300 [2501]	1.08	1.19	1.03	1.03	0.26 [06]	0.36 [09]	1.27 [32]	1.15 [29]
5400 [2548]	1.08	1.21	1.03	1.03	0.27 [07]	0.38 [09]	1.33 [33]	1.20 [30]
5500 [2595]	1.09	1.22	1.04	1.04	0.28 [07]	0.40 [10]	1.37 [34]	1.25 [31]
5600 [2643]	1.09	1.23	1.04	1.04	0.29 [07]	0.42 [10]	1.42 [35]	1.30 [32]
5700 [2690]	1.10	1.24	1.04	1.04	0.30 [07]	0.44 [11]	1.47 [37]	1.34 [33]
5800 [2737]	1.10	1.26	1.04	1.04	0.31 [08]	0.46 [11]	1.52 [38]	1.38 [34]
5900 [2784]	1.10	1.27	1.05	1.05	0.32 [08]	0.48 [12]	1.56 [39]	1.42 [35]
6000 [2831]	1.11	1.28	1.05	1.05	0.33 [08]	0.51 [13]	1.60 [40]	1.45 [36]

*Multiply correction factor times gross performance data resulting sensible capacity cannot exceed total capacity.

[] Designates Metric Conversions

AIRFLOW PERFORMANCE—12.5 TON [43.9 kW] — 60 Hz — SIDEFLOW

Air Flow CFM [L/s]	Model RGEDZ*150* Voltage 208/230, 460, 575 — 3 phase 60 Hz																													
	External Static Pressure—Inches of Water [kPa]																													
	0.1 [0.02]	0.2 [0.05]	0.3 [0.07]	0.4 [0.10]	0.5 [0.12]	0.6 [0.15]	0.7 [0.17]	0.8 [0.20]	0.9 [0.22]	1.0 [0.25]	1.1 [0.27]	1.2 [0.30]	1.3 [0.32]	1.4 [0.35]	1.5 [0.37]	1.6 [0.40]	1.7 [0.42]	1.8 [0.45]	1.9 [0.47]	2.0 [0.50]										
4000 [1888]	—	791 [1757]	819 [1824]	846 [1892]	872 [1961]	897 [2031]	922 [2101]	946 [2173]	970 [2245]	993 [2318]	1015 [2392]	1036 [2467]	1057 [2542]	1077 [2619]	1096 [2696]	1115 [2774]	1133 [2853]	1150 [2933]	1167 [3014]	1183 [3095]										
4100 [1935]	782 [1773]	809 [1841]	836 [1911]	863 [1982]	888 [2053]	913 [2125]	937 [2198]	961 [2272]	984 [2346]	1006 [2422]	1027 [2498]	1048 [2576]	1068 [2654]	1088 [2733]	1106 [2812]	1124 [2893]	1142 [2975]	1158 [3057]	1174 [3140]	1189 [3224]										
4200 [1982]	801 [1860]	828 [1932]	854 [2004]	880 [2077]	905 [2150]	929 [2225]	952 [2300]	975 [2377]	997 [2454]	1019 [2532]	1040 [2611]	1060 [2691]	1079 [2771]	1098 [2853]	1116 [2935]	1133 [3018]	1150 [3102]	1166 [3187]	1181 [3272]	1196 [3359]										
4300 [2029]	819 [1954]	845 [2028]	871 [2102]	896 [2177]	920 [2254]	944 [2331]	967 [2409]	989 [2488]	1011 [2567]	1032 [2648]	1052 [2729]	1071 [2811]	1090 [2894]	1108 [2978]	1125 [3063]	1142 [3149]	1158 [3235]	1174 [3323]	1188 [3411]	1202 [3500]										
4400 [2076]	837 [2053]	863 [2129]	888 [2207]	912 [2284]	936 [2363]	959 [2443]	981 [2523]	1003 [2603]	1024 [2687]	1044 [2770]	1064 [2854]	1082 [2938]	1101 [3024]	1118 [3110]	1135 [3197]	1151 [3286]	1166 [3375]	1181 [3464]	1195 [3555]	1208 [3646]										
4500 [2123]	855 [2159]	880 [2237]	905 [2317]	929 [2397]	952 [2479]	974 [2561]	996 [2644]	1016 [2727]	1037 [2812]	1056 [2897]	1075 [2984]	1093 [3071]	1111 [3159]	1128 [3248]	1144 [3338]	1159 [3428]	1174 [3520]	1188 [3612]	1201 [3705]	1214 [3799]										
4600 [2171]	873 [2270]	898 [2351]	921 [2433]	944 [2516]	967 [2600]	988 [2684]	1009 [2770]	1030 [2856]	1049 [2943]	1068 [3031]	1086 [3118]	1104 [3210]	1121 [3300]	1137 [3392]	1152 [3484]	1167 [3577]	1181 [3671]	1195 [3766]	1207 [3861]	1219 [3958]										
4700 [2218]	891 [2387]	914 [2471]	938 [2556]	960 [2641]	982 [2727]	1003 [2814]	1023 [2902]	1043 [2991]	1062 [3080]	1080 [3171]	1097 [3262]	1114 [3354]	1130 [3447]	1146 [3541]	1161 [3636]	1175 [3732]	1188 [3828]	1201 [3925]	1213 [4023]	—										
4800 [2265]	908 [2511]	931 [2597]	954 [2684]	975 [2772]	996 [2860]	1017 [2950]	1036 [3040]	1055 [3132]	1074 [3224]	1091 [3317]	1108 [3410]	1124 [3505]	1140 [3601]	1155 [3697]	1169 [3794]	1182 [3892]	1195 [3991]	1207 [4091]	1219 [4191]	—										
4900 [2312]	925 [2640]	947 [2729]	969 [2818]	990 [2908]	1011 [3000]	1031 [3092]	1050 [3184]	1068 [3278]	1086 [3373]	1102 [3468]	1119 [3565]	1134 [3662]	1149 [3760]	1163 [3859]	1177 [3958]	1190 [4059]	1202 [4160]	1213 [4262]	—	—										
5000 [2359]	942 [2775]	964 [2866]	985 [2958]	1005 [3051]	1025 [3145]	1044 [3239]	1062 [3335]	1080 [3431]	1097 [3528]	1113 [3626]	1129 [3725]	1144 [3824]	1158 [3925]	1172 [4026]	1185 [4128]	1197 [4231]	1208 [4335]	1219 [4440]	—	—										
5100 [2407]	958 [2916]	979 [3010]	1000 [3104]	1020 [3200]	1039 [3296]	1057 [3393]	1075 [3491]	1092 [3589]	1108 [3689]	1124 [3789]	1139 [3891]	1153 [3993]	1167 [4096]	1180 [4200]	1192 [4304]	1204 [4410]	1214 [4516]	—	—	—										
5200 [2454]	975 [3063]	995 [3160]	1015 [3256]	1034 [3354]	1053 [3453]	1070 [3552]	1087 [3653]	1104 [3754]	1120 [3856]	1135 [3959]	1149 [4063]	1162 [4167]	1175 [4273]	1188 [4379]	1199 [4486]	1210 [4594]	1220 [4703]	—	—	—										
5300 [2501]	991 [3217]	1010 [3315]	1030 [3415]	1048 [3515]	1066 [3616]	1083 [3718]	1100 [3821]	1115 [3924]	1130 [4029]	1145 [4134]	1158 [4241]	1171 [4348]	1184 [4456]	1195 [4564]	1206 [4674]	1216 [4785]	—	—	—	—										
5400 [2548]	1006 [3376]	1026 [3477]	1044 [3579]	1062 [3681]	1079 [3785]	1096 [3889]	1111 [3995]	1126 [4101]	1141 [4208]	1155 [4316]	1168 [4425]	1180 [4534]	1192 [4645]	1203 [4756]	1213 [4868]	—	—	—	—	—										
5500 [2595]	1022 [3541]	1040 [3644]	1058 [3749]	1075 [3854]	1092 [3960]	1108 [4067]	1123 [4175]	1137 [4283]	1151 [4393]	1164 [4503]	1177 [4614]	1188 [4726]	1199 [4839]	1210 [4953]	1219 [5068]	—	—	—	—	—										
5600 [2643]	1037 [3712]	1055 [3818]	1072 [3924]	1089 [4032]	1105 [4141]	1120 [4250]	1134 [4361]	1148 [4472]	1161 [4584]	1174 [4697]	1185 [4810]	1196 [4925]	1207 [5040]	1216 [5156]	—	—	—	—	—	—										
5700 [2690]	1052 [3888]	1069 [3997]	1086 [4106]	1102 [4217]	1117 [4328]	1132 [4440]	1145 [4552]	1159 [4666]	1171 [4780]	1183 [4896]	1194 [5012]	1204 [5129]	1214 [5247]	—	—	—	—	—	—	—										
5800 [2737]	1067 [4071]	1083 [4182]	1099 [4294]	1115 [4407]	1129 [4520]	1143 [4635]	1156 [4750]	1169 [4866]	1181 [4983]	1192 [5101]	1202 [5220]	1212 [5339]	1221 [5460]	—	—	—	—	—	—	—										
5900 [2784]	1081 [4260]	1097 [4374]	1113 [4488]	1127 [4603]	1141 [4719]	1154 [4836]	1167 [4954]	1179 [5073]	1190 [5192]	1200 [5312]	1210 [5433]	1219 [5555]	—	—	—	—	—	—	—	—										
6000 [2831]	1095 [4455]	1111 [4571]	1126 [4688]	1139 [4805]	1153 [4924]	1165 [5043]	1177 [5164]	1188 [5285]	1199 [5407]	1209 [5529]	1218 [5653]	—	—	—	—	—	—	—	—	—										

NOTE: AF-Drive left of the bold line, B/G-Drive right of bold lines.

Drive Package	A					B						
	0	1	2	3	4	5	0	1	2	3	4	5
Motor H.P. [W]	3	2237.1					5	3728.5				
Blower Sheave	AK7H						AK79H					
Motor Sheave	1VL44*7/8						1VP60*1x1/8					
Belt	A48						A52					
Turns Open	0	1	2	3	4	5	0	1	2	3	4	5
RPM	1002	955	909	862	813	765	1208	1171	1127	1084	1038	995

NOTES: 1. Factory sheave settings are shown in bold type.

2. Do not set motor sheave below minimum or maximum turns open shown.

3. Re-adjustment of sheave required to achieve rated airflow at AHRI minimum External Static Pressure

4. Add component resistance (below) to duct resistance to determine total External Static Pressure.

[] Designates Metric Conversions

AIRFLOW PERFORMANCE — 12.5 TON [43.9 kW] — 60 Hz — SIDEFLOW (con't.)

Airflow	AIRFLOW CORRECTION FACTORS *			COMPONENT AIRFLOW RESISTANCE				
	CFM [L/s]	Total MBH	Sensible MBH	Power kW	Wet Coil	Vertical Economizer RA Damper Open	Concentric Diffuser RXRN-AEF3618 & Concentric Adapter RXMC-DD03 (Flush)	Concentric Diffuser RXRN-AEF3618 & Concentric Adapter RXMC-DD03 (Drop)
4000 [1888]	1.01	1.03	1.01	1.01	0.15 [04]	0.16 [04]	0.76 [19]	0.68 [17]
4100 [1935]	1.02	1.04	1.01	1.01	0.16 [04]	0.17 [04]	0.79 [20]	0.72 [18]
4200 [1982]	1.02	1.06	1.01	1.01	0.17 [04]	0.19 [05]	0.82 [20]	0.75 [19]
4300 [2029]	1.03	1.07	1.01	1.01	0.17 [04]	0.20 [05]	0.86 [21]	0.79 [20]
4400 [2076]	1.03	1.08	1.01	1.01	0.18 [05]	0.21 [05]	0.90 [22]	0.83 [21]
4500 [2123]	1.04	1.09	1.02	1.02	0.19 [05]	0.23 [06]	0.94 [23]	0.86 [21]
4600 [2171]	1.04	1.11	1.02	1.02	0.20 [05]	0.24 [06]	0.98 [24]	0.89 [22]
4700 [2218]	1.05	1.12	1.02	1.02	0.21 [05]	0.26 [06]	1.02 [25]	0.94 [23]
4800 [2265]	1.05	1.13	1.02	1.02	0.21 [05]	0.28 [07]	1.06 [26]	0.98 [24]
4900 [2312]	1.06	1.14	1.02	1.02	0.22 [06]	0.29 [07]	1.10 [27]	1.01 [25]
5000 [2359]	1.06	1.16	1.03	1.03	0.23 [06]	0.31 [08]	1.14 [28]	1.04 [26]
5100 [2407]	1.07	1.17	1.03	1.03	0.24 [06]	0.33 [08]	1.18 [29]	1.07 [27]
5200 [2454]	1.07	1.18	1.03	1.03	0.25 [06]	0.35 [09]	1.22 [30]	1.10 [27]
5300 [2501]	1.08	1.19	1.03	1.03	0.26 [06]	0.36 [09]	1.27 [32]	1.15 [29]
5400 [2548]	1.08	1.21	1.03	1.03	0.27 [07]	0.38 [09]	1.33 [33]	1.20 [30]
5500 [2595]	1.09	1.22	1.04	1.04	0.28 [07]	0.40 [10]	1.37 [34]	1.25 [31]
5600 [2643]	1.09	1.23	1.04	1.04	0.29 [07]	0.42 [10]	1.42 [35]	1.30 [32]
5700 [2690]	1.10	1.24	1.04	1.04	0.30 [07]	0.44 [11]	1.47 [37]	1.34 [33]
5800 [2737]	1.10	1.26	1.04	1.04	0.31 [08]	0.46 [11]	1.52 [38]	1.38 [34]
5900 [2784]	1.10	1.27	1.05	1.05	0.32 [08]	0.48 [12]	1.56 [39]	1.42 [35]
6000 [2831]	1.11	1.28	1.05	1.05	0.33 [08]	0.51 [13]	1.60 [40]	1.45 [36]

*Multiply correction factor times gross performance data resulting sensible capacity cannot exceed total capacity.

[] Designates Metric Conversions

ELECTRICAL DATA – GEDZR SERIES

		090ACA15 090ACA20	090ACB15 090ACC15 090ACC20 090ACB20	090ADA15 090ADA20	090ADB15 090ADB20 090ADC15 090ADC20	090AYA15	090AYA20
Unit Information	Unit Operating Voltage Range	187-253	187-253	414-506	414-506	517-633	517-633
	Volts	208/230	208/230	460	460	575	575
	Phase	3	3	3	3	3	3
	Hz	60	60	60	60	60	60
	Minimum Circuit Ampacity	41	43	21	23	16	16
	Minimum Overcurrent Protection Device Size	50	50	25	30	20	20
	Maximum Overcurrent Protection Device Size	60	60	30	35	25	25
Compressor Motor	No.	1	1	1	1	1	1
	Volts	208/230	208/230	460	460	575	575
	Phase	3	3	3	3	3	3
	RPM	3450	3450	3450	3450	3450	3450
	HP, Compressor 1	7	7	7	7	7	7
	Amps (RLA), Comp. 1	25	25	12.8	12.8	9.6	9.6
	Amps (LRA), Comp. 1	164	164	100	100	78	78
Condenser Motor	No.	2	2	2	2	2	2
	Volts	208/230	208/230	460	460	575	575
	Phase	1	1	1	1	1	1
	HP	1/5	1/5	1/5	1/5	1/5	1/5
	Amps (FLA, each)	1.2	1.2	0.8	0.8	0.6	0.6
	Amps (LRA, each)	2.3	2.3	1.4	1.4	1.1	1.1
Evaporator Fan	No.	1	1	1	1	1	1
	Volts	208/230	208/230	460	460	575	575
	Phase	3	3	3	3	3	3
	HP	2	3	2	3	2	2
	Amps (FLA, each)	6.6	9.1	3.3	4.6	2.5	2.5
	Amps (LRA, each)	47	74.5	22.5	38.1	19	19

ELECTRICAL DATA – GEDZR SERIES

		090AYB15	090AYB20	090AYC15	090AYC20
Unit Information	Unit Operating Voltage Range	517-633	517-633	517-633	517-633
	Volts	575	575	575	575
	Phase	3	3	3	3
	Hz	60	60	60	60
	Minimum Circuit Ampacity	17	17	17	17
	Minimum Overcurrent Protection Device Size	20	20	20	20
	Maximum Overcurrent Protection Device Size	25	25	25	25
Compressor Motor	No.	1	1	1	1
	Volts	575	575	575	575
	Phase	3	3	3	3
	RPM	3450	3450	3450	3450
	HP, Compressor 1	7	7	7	7
	Amps (RLA), Comp. 1	9.6	9.6	9.6	9.6
	Amps (LRA), Comp. 1	78	78	78	78
Condenser Motor	No.	2	2	2	2
	Volts	575	575	575	575
	Phase	1	1	1	1
	HP	1/5	1/5	1/5	1/5
	Amps (FLA, each)	0.6	0.6	0.6	0.6
	Amps (LRA, each)	1.1	1.1	1.1	1.1
Evaporator Fan	No.	1	1	1	1
	Volts	575	575	575	575
	Phase	3	3	3	3
	HP	3	3	3	3
	Amps (FLA, each)	3.5	3.5	3.5	3.5
	Amps (LRA, each)	20	20	20	20

ELECTRICAL DATA – GEDZR SERIES

		102ACA15 102ACA22	102ACB15 102ACB22	102ACC15 102ACC22	102ADA15 102ADA22	102ADB15 102ADB22	102ADC15 102ADC22	102AYA15
Unit Information	Unit Operating Voltage Range	187-253	187-253	187-253	414-506	414-506	414-506	517-633
	Volts	208/230	208/230	208/230	460	460	460	575
	Phase	3	3	3	3	3	3	3
	Hz	60	60	60	60	60	60	60
	Minimum Circuit Ampacity	44	46	49	22	23	24	16
	Minimum Overcurrent Protection Device Size	60	60	60	25	30	30	20
	Maximum Overcurrent Protection Device Size	70	70	70	30	35	35	25
Compressor Motor	No.	1	1	1	1	1	1	1
	Volts	208/230	208/230	208/230	460	460	460	575
	Phase	3	3	3	3	3	3	3
	RPM	3450	3450	3450	3450	3450	3450	3450
	HP, Compressor 1	7 1/2	7 1/2	7 1/2	7 1/2	7 1/2	7 1/2	7 1/2
	Amps (RLA), Comp. 1	27.6	27.6	27.6	12.8	12.8	12.8	9.6
	Amps (LRA), Comp. 1	191	191	191	100	100	100	78
Condenser Motor	No.	2	2	2	2	2	2	2
	Volts	208/230	208/230	208/230	460	460	460	575
	Phase	1	1	1	1	1	1	1
	HP	1/5	1/5	1/5	1/5	1/5	1/5	1/5
	Amps (FLA, each)	1.2	1.2	1.2	0.8	0.8	0.8	0.6
	Amps (LRA, each)	2.3	2.3	2.03	1.4	1.4	1.4	1.1
Evaporator Fan	No.	1	1	1	1	1	1	1
	Volts	208/230	208/230	208/230	460	460	460	575
	Phase	3	3	3	3	3	3	3
	HP	2	3	3	2	3	3	2
	Amps (FLA, each)	7.1	9.1	12.0	3.5	4.6	6	2.5
	Amps (LRA, each)	45	74.5	74.5	22.5	38.1	38.1	19

ELECTRICAL DATA – GEDZR SERIES

		102AYA22	102AYB15	102AYB22	102AYC15	102AYC22
Unit Information	Unit Operating Voltage Range	517-633	517-633	517-633	517-633	517-633
	Volts	575	575	575	575	575
	Phase	3	3	3	3	3
	Hz	60	60	60	60	60
	Minimum Circuit Ampacity	16	17	17	17	17
	Minimum Overcurrent Protection Device Size	20	20	20	20	20
	Maximum Overcurrent Protection Device Size	25	25	25	25	25
Compressor Motor	No.	1	1	1	1	1
	Volts	575	575	575	575	575
	Phase	3	3	3	3	3
	RPM	3450	3450	3450	3450	3450
	HP, Compressor 1	7 1/2	7 1/2	7 1/2	7 1/2	7 1/2
	Amps (RLA), Comp. 1	9.6	9.6	9.6	9.6	9.6
	Amps (LRA), Comp. 1	78	78	78	78	78
Condenser Motor	No.	2	2	2	2	2
	Volts	575	575	575	575	575
	Phase	1	1	1	1	1
	HP	1/5	1/5	1/5	1/5	1/5
	Amps (FLA, each)	0.6	0.6	0.6	0.6	0.6
	Amps (LRA, each)	1.1	1.1	1.1	1.1	1.1
Evaporator Fan	No.	1	1	1	1	1
	Volts	575	575	575	575	575
	Phase	3	3	3	3	3
	HP	2	3	3	3	3
	Amps (FLA, each)	2.5	3.5	3.5	3.5	3.5
	Amps (LRA, each)	19	20	20	20	20

ELECTRICAL DATA – GEDZR SERIES

		120ACA15 120ACA22	120ACB15 120ACB22	120ACC15 120ACC22	120ADA15 120ADA22	120ADB15 120ADB22	120ADC15 120ADC22
Unit Information	Unit Operating Voltage Range	187-253	187-253	187-253	414-506	414-506	414-506
	Volts	208/230	208/230	208/230	460	460	460
	Phase	3	3	3	3	3	3
	Hz	60	60	60	60	60	60
	Minimum Circuit Ampacity	48	51	53	26	27	28
	Minimum Overcurrent Protection Device Size	60	60	60	30	30	35
	Maximum Overcurrent Protection Device Size	70	70	80	35	40	40
Compressor Motor	No.	1	1	1	1	1	1
	Volts	208/230	208/230	208/230	460	460	460
	Phase	3	3	3	3	3	3
	RPM	3450	3450	3450	3450	3450	3450
	HP, Compressor 1	10	10	10	10	10	10
	Amps (RLA), Comp. 1	28.2	28.2	28.2	14.7	14.7	14.7
	Amps (LRA), Comp. 1	239	239	239	130	130	130
Condenser Motor	No.	2	2	2	2	2	2
	Volts	208/230	208/230	208/230	460	460	460
	Phase	1	1	1	1	1	1
	HP	1/3	1/3	1/3	1/3	1/3	1/3
	Amps (FLA, each)	2.4	2.4	2.4	1.4	1.4	1.4
	Amps (LRA, each)	4.7	4.7	4.7	2.4	2.4	2.4
Evaporator Fan	No.	1	1	1	1	1	1
	Volts	208/230	208/230	208/230	460	460	460
	Phase	3	3	3	3	3	3
	HP	2	2	2	2	3	3
	Amps (FLA, each)	7.9	10.1	12	3.9	5	6
	Amps (LRA, each)	45	74.5	74.5	22.5	38.1	38.1

ELECTRICAL DATA – GEDZR SERIES

		120AYA15	120AYA22	120AYB15	120AYB22	120AYC15	120AYC22
Unit Information	Unit Operating Voltage Range	517-633	517-633	517-633	517-633	517-633	517-633
	Volts	575	575	575	575	575	575
	Phase	3	3	3	3	3	3
	Hz	60	60	60	60	60	60
	Minimum Circuit Ampacity	19	19	20	20	20	20
	Minimum Overcurrent Protection Device Size	25	25	25	25	25	25
	Maximum Overcurrent Protection Device Size	25	25	30	30	30	30
Compressor Motor	No.	1	1	1	1	1	1
	Volts	575	575	575	575	575	575
	Phase	3	3	3	3	3	3
	RPM	3450	3450	3450	3450	3450	3450
	HP, Compressor 1	10	10	10	10	10	10
	Amps (RLA), Comp. 1	11.3	11.3	11.3	11.3	11.3	11.3
	Amps (LRA), Comp. 1	93.7	93.7	93.7	93.7	93.7	93.7
Condenser Motor	No.	2	2	2	2	2	2
	Volts	575	575	575	575	575	575
	Phase	1	1	1	1	1	1
	HP	1/3	1/3	1/3	1/3	1/3	1/3
	Amps (FLA, each)	1	1	1	1	1	1
	Amps (LRA, each)	1.6	1.6	1.6	1.6	1.6	1.6
Evaporator Fan	No.	1	1	1	1	1	1
	Volts	575	575	575	575	575	575
	Phase	3	3	3	3	3	3
	HP	2	2	3	3	3	3
	Amps (FLA, each)	2.5	2.5	3.5	3.5	3.5	3.5
	Amps (LRA, each)	19	19	20	20	20	20

ELECTRICAL DATA – GEDZS SERIES

		090ACA15 090ACA20	090ACB15 090ACB20 090ACC15 090ACC20	090ACF15 090ACF20	090ACG15 090ACG20 090ACH15 090ACH20	090ADA15 090ADF15 090ADF20 090ADA20	090ADB15 090ADB20 090ADC15 090ADC20 090ADG15 090ADG20 090ADH15 090ADH20
Unit Information	Unit Operating Voltage Range	187-253	187-253	187-253	187-253	414-506	414-506
	Volts	208/230	208/230	208/230	208/230	460	460
	Phase	3	3	3	3	3	3
	Hz	60	60	60	60	60	60
	Minimum Circuit Ampacity	41	44	41	44	17	19
	Minimum Overcurrent Protection Device Size	50	50	50	50	20	25
	Maximum Overcurrent Protection Device Size	60	60	60	60	25	25
Compressor Motor	No.	1	1	1	1	1	1
	Volts	208/230	208/230	208/230	208/230	460	460
	Phase	3	3	3	3	3	3
	RPM	3450	3450	3450	3450	3450	3450
	HP, Compressor 1	7	7	7	7	7	7
	Amps (RLA), Comp. 1	25.3	25.3	25.3	25.3	9.6	9.6
	Amps (LRA), Comp. 1	184	184	184	184	84	84
Condenser Motor	No.	2	2	2	2	2	2
	Volts	208/230	208/230	208/230	208/230	460	460
	Phase	1	1	1	1	1	1
	HP	1/5	1/5	1/5	1/5	1/5	1/5
	Amps (FLA, each)	1.2	1.2	1.2	1.2	0.8	0.8
	Amps (LRA, each)	2.3	2.3	2.3	2.3	1.4	1.4
Evaporator Fan	No.	1	1	1	1	1	1
	Volts	208/230	208/230	208/230	208/230	460	460
	Phase	3	3	3	3	3	3
	HP	2	3	2	3	2	3
	Amps (FLA, each)	6.6	9.1	6.6	9.1	3.2	4.6
	Amps (LRA, each)	47	74.5	22.5	74.5	22.5	38.1

ELECTRICAL DATA – GEDZS SERIES

		090AYA15	090AYA20	090AYB15	090AYB20	090AYC15	090AYC20
Unit Information	Unit Operating Voltage Range	517-633	517-633	517-633	517-633	517-633	517-633
	Volts	575	575	575	575	575	575
	Phase	3	3	3	3	3	3
	Hz	60	60	60	60	60	60
	Minimum Circuit Ampacity	13	13	14	14	14	14
	Minimum Overcurrent Protection Device Size	15	15	20	20	20	20
	Maximum Overcurrent Protection Device Size	15	15	20	20	20	20
Compressor Motor	No.	1	1	1	1	1	1
	Volts	575	575	575	575	575	575
	Phase	3	3	3	3	3	3
	RPM	3450	3450	3450	3450	3450	3450
	HP, Compressor 1	7	7	7	7	7	7
	Amps (RLA), Comp. 1	7.1	7.1	7.1	7.1	7.1	7.1
	Amps (LRA), Comp. 1	60	60	60	60	60	60
Condenser Motor	No.	2	2	2	2	2	2
	Volts	575	575	575	575	575	575
	Phase	1	1	1	1	1	1
	HP	1/5	1/5	1/5	1/5	1/5	1/5
	Amps (FLA, each)	0.6	0.6	0.6	0.6	0.6	0.6
	Amps (LRA, each)	1.1	1.1	1.1	1.1	1.1	1.1
Evaporator Fan	No.	1	1	1	1	1	1
	Volts	575	575	575	575	575	575
	Phase	3	3	3	3	3	3
	HP	2	2	3	3	3	3
	Amps (FLA, each)	2.5	2.5	3.5	3.5	3.5	3.5
	Amps (LRA, each)	19	19	20	20	20	20

ELECTRICAL DATA – GEDZS SERIES

		102ACA15 102ACF15 102ACF22 102ACA22	102ACB15 102ACB22 102ACG15 102ACG22	102ACC15 102ACC22 102ACH15 102ACH22	102ADA15 102ADA22 102ADF15 102ADF22	102ADB15 102ADB22 102ADG15 102ADG22	102ADC15 102ADC22 102ADH15 102ADH22
Unit Information	Unit Operating Voltage Range	187-253	187-253	187-253	414-506	414-506	414-506
	Volts	208/230	208/230	208/230	460	460	460
	Phase	3	3	3	3	3	3
	Hz	60	60	60	60	60	60
	Minimum Circuit Ampacity	46	48	51	21	22	24
	Minimum Overcurrent Protection Device Size	60	60	60	25	25	30
Maximum Overcurrent Protection Device Size	70	70	70	30	30	35	
Compressor Motor	No.	1	1	1	1	1	1
	Volts	208/230	208/230	208/230	460	460	460
	Phase	3	3	3	3	3	3
	RPM	3450	3450	3450	3450	3450	3450
	HP, Compressor 1	7 1/2	7 1/2	7 1/2	7 1/2	7 1/2	7 1/2
	Amps (RLA), Comp. 1	28.8	28.8	28.8	12.5	12.5	12.5
	Amps (LRA), Comp. 1	191	191	191	100	100	100
Condenser Motor	No.	2	2	2	2	2	2
	Volts	208/230	208/230	208/230	460	460	460
	Phase	1	1	1	1	1	1
	HP	1/5	1/5	1/5	1/5	1/5	1/5
	Amps (FLA, each)	1.2	1.2	1.2	0.8	0.8	0.8
	Amps (LRA, each)	2.3	2.3	2.3	1.4	1.4	1.4
Evaporator Fan	No.	1	1	1	1	1	1
	Volts	208/230	208/230	208/230	460	460	460
	Phase	3	3	3	3	3	3
	HP	2	3	3	2	3	3
	Amps (FLA, each)	7	9.1	12	3.5	4.6	6
	Amps (LRA, each)	45	74.5	74.5	22.5	38.1	38.1

ELECTRICAL DATA – GEDZS SERIES

		102AYA15	102AYA22	102AYB15	102AYB22	102AYC15	102AYC22
Unit Information	Unit Operating Voltage Range	517-633	517-633	517-633	517-633	517-633	517-633
	Volts	575	575	575	575	575	575
	Phase	3	3	3	3	3	3
	Hz	60	60	60	60	60	60
	Minimum Circuit Ampacity	16	16	17	17	17	17
	Minimum Overcurrent Protection Device Size	20	20	20	20	20	20
	Maximum Overcurrent Protection Device Size	25	25	25	25	25	25
Compressor Motor	No.	1	1	1	1	1	1
	Volts	575	575	575	575	575	575
	Phase	3	3	3	3	3	3
	RPM	3450	3450	3450	3450	3450	3450
	HP, Compressor 1	7 1/2	7 1/2	7 1/2	7 1/2	7 1/2	7 1/2
	Amps (RLA), Comp. 1	9.7	9.7	9.7	9.7	9.7	9.7
	Amps (LRA), Comp. 1	70	70	70	70	70	70
Condenser Motor	No.	2	2	2	2	2	2
	Volts	575	575	575	575	575	575
	Phase	1	1	1	1	1	1
	HP	1/5	1/5	1/5	1/5	1/5	1/5
	Amps (FLA, each)	0.6	0.6	0.6	0.6	0.6	0.6
	Amps (LRA, each)	1.1	1.1	1.1	1.1	1.1	1.1
Evaporator Fan	No.	1	1	1	1	1	1
	Volts	575	575	575	575	575	575
	Phase	3	3	3	3	3	3
	HP	2	2	3	3	3	3
	Amps (FLA, each)	2.5	2.5	3.5	3.5	3.5	3.5
	Amps (LRA, each)	19	19	20	20	20	20

ELECTRICAL DATA – GEDZS SERIES

		120ACA15 120ACA22 120ACF15 120ACF22	120ACB15 120ACB22 120ACG15 120ACG22	120ACC15 120ACC22 120ACH15 120ACH22	120ADA15 120ADA22 120ADF15 120ADF22	120ADB15 120ADB22 120ADG15 120ADG22	120ADC15 120ADC22 120ADH15 120ADH22
Unit Information	Unit Operating Voltage Range	187-253	187-253	187-253	414-506	414-506	414-506
	Volts	208/230	208/230	208/230	460	460	460
	Phase	3	3	3	3	3	3
	Hz	60	60	60	60	60	60
	Minimum Circuit Ampacity	54	56	58	26	27	28
	Minimum Overcurrent Protection Device Size	70	70	70	30	30	35
	Maximum Overcurrent Protection Device Size	80	80	90	40	40	40
Compressor Motor	No.	1	1	1	1	1	1
	Volts	208/230	208/230	208/230	460	460	460
	Phase	3	3	3	3	3	3
	RPM	3450	3450	3450	3450	3450	3450
	HP, Compressor 1	10	10	10	10	10	10
	Amps (RLA), Comp. 1	32.6	32.6	32.6	14.8	14.8	14.8
	Amps (LRA), Comp. 1	240	240	240	130	130	130
Condenser Motor	No.	2	2	2	2	2	2
	Volts	208/230	208/230	208/230	460	460	460
	Phase	1	1	1	1	1	1
	HP	1/3	1/3	1/3	1/3	1/3	1/3
	Amps (FLA, each)	2.4	2.4	2.4	1.4	1.4	1.4
	Amps (LRA, each)	4.7	4.7	4.7	2.4	2.4	2.4
Evaporator Fan	No.	1	1	1	1	1	1
	Volts	208/230	208/230	208/230	460	460	460
	Phase	3	3	3	3	3	3
	HP	2	2	2	2	3	3
	Amps (FLA, each)	7.9	10.1	12	3.9	5.1	6
	Amps (LRA, each)	45	74.5	74.5	22.5	38.1	38.1

ELECTRICAL DATA – GEDZS SERIES

		120AYA15	120AYA22	120AYB15	120AYB22	120AYC15	120AYC22
Unit Information	Unit Operating Voltage Range	517-633	517-633	517-633	517-633	517-633	517-633
	Volts	575	575	575	575	575	575
	Phase	3	3	3	3	3	3
	Hz	60	60	60	60	60	60
	Minimum Circuit Ampacity	19	19	20	20	20	20
	Minimum Overcurrent Protection Device Size	25	25	25	25	25	25
	Maximum Overcurrent Protection Device Size	25	25	30	30	30	30
Compressor Motor	No.	1	1	1	1	1	1
	Volts	575	575	575	575	575	575
	Phase	3	3	3	3	3	3
	RPM	3450	3450	3450	3450	3450	3450
	HP, Compressor 1	10	10	10	10	10	10
	Amps (RLA), Comp. 1	11.1	11.1	11.1	11.1	11.1	11.1
	Amps (LRA), Comp. 1	93.7	93.7	93.7	93.7	93.7	93.7
Condenser Motor	No.	2	2	2	2	2	2
	Volts	575	575	575	575	575	575
	Phase	1	1	1	1	1	1
	HP	1/3	1/3	1/3	1/3	1/3	1/3
	Amps (FLA, each)	1	1	1	1	1	1
	Amps (LRA, each)	2.2	2.2	2.2	2.2	2.2	2.2
Evaporator Fan	No.	1	1	1	1	1	1
	Volts	575	575	575	575	575	575
	Phase	3	3	3	3	3	3
	HP	2	2	3	3	3	3
	Amps (FLA, each)	2.5	2.5	3.5	3.5	3.5	3.5
	Amps (LRA, each)	19	19	20	20	20	20

ELECTRICAL DATA – GEDZS SERIES

		150ACA15 150ACA22 150ACF15 150ACF22	150ACB15 150ACB22 150ACG15 150ACG22	150ADA15 150ADA22 150ADF15 150ADF22	150ADB15 150ADB22 150ADG15 150ADG22	150AYA15 150AYA22	150AYB15 150AYB22
Unit Information	Unit Operating Voltage Range	187-253	187-253	414-506	414-506	517-633	517-633
	Volts	208/230	208/230	460	460	575	575
	Phase	3	3	3	3	3	3
	Hz	60	60	60	60	60	60
	Minimum Circuit Ampacity	70	75	34	37	25	27
	Minimum Overcurrent Protection Device Size	80	90	40	40	30	30
	Maximum Overcurrent Protection Device Size	90	90	40	45	30	30
Compressor Motor	No.	2	2	2	2	2	2
	Volts	208/230	208/230	460	460	575	575
	Phase	3	3	3	3	3	3
	RPM	3450	3450	3450	3450	3450	3450
	HP, Compressor 1	6	6	6	6	6	6
	Amps (RLA), Comp. 1	22.4	22.4	10.6	10.6	7.7	7.7
	Amps (LRA), Comp. 1	164	164	100	100	78	78
	HP, Compressor 2	6	6	6	6	6	6
	Amps (RLA), Comp. 2	22.4	22.4	10.6	10.6	7.7	7.7
	Amps (LRA), Comp. 2	164	164	100	100	78	78
Condenser Motor	No.	2	2	2	2	2	2
	Volts	208/230	208/230	460	460	575	575
	Phase	1	1	1	1	1	1
	HP	3/4	3/4	3/4	3/4	3/4	3/4
	Amps (FLA, each)	4.2	4.2	2.3	2.3	1.6	1.6
	Amps (LRA, each)	10.1	10.1	4.9	4.9	3.4	3.4
Evaporator Fan	No.	1	1	1	1	1	1
	Volts	208/230	208/230	460	460	575	575
	Phase	3	3	3	3	3	3
	HP	3	5	3	5	3	5
	Amps (FLA, each)	10.4	16	5.2	8	4.4	5.9
	Amps (LRA, each)	74.5	82	38.1	41	20	38

ELECTRICAL DATA – GEDZT SERIES

		090ACF15 090ACF20	090ACG15 090ACG20 090ACH15 090ACH20	090ADF15 090ADF20	090ADG15 090ADG20 090ADH15 090ADH20
Unit Information	Unit Operating Voltage Range	187-253	187-253	414-506	414-506
	Volts	208/230	208/230	460	460
	Phase	3	3	3	3
	Hz	60	60	60	60
	Minimum Circuit Ampacity	41	44	17	19
	Minimum Overcurrent Protection Device Size	50	50	20	25
	Maximum Overcurrent Protection Device Size	60	60	25	25
Compressor Motor	No.	1	1	1	1
	Volts	208/230	208/230	460	460
	Phase	3	3	3	3
	RPM	3450	3450	3450	3450
	HP, Compressor 1	7	7	7	7
	Amps (RLA), Comp. 1	25.3	25.3	9.6	9.6
	Amps (LRA), Comp. 1	184	184	84	84
Condenser Motor	No.	2	2	2	2
	Volts	208/230	208/230	460	460
	Phase	1	1	1	1
	HP	1/5	1/5	1/5	1/5
	Amps (FLA, each)	1.2	1.2	0.8	0.8
	Amps (LRA, each)	2.3	2.3	1.4	1.4
Evaporator Fan	No.	1	1	1	1
	Volts	208/230	208/230	460	460
	Phase	3	3	3	3
	HP	2	3	2	3
	Amps (FLA, each)	6.6	9.1	3.2	4.6
	Amps (LRA, each)	22.5	74.5	22.5	38.1

ELECTRICAL DATA – GEDZT SERIES

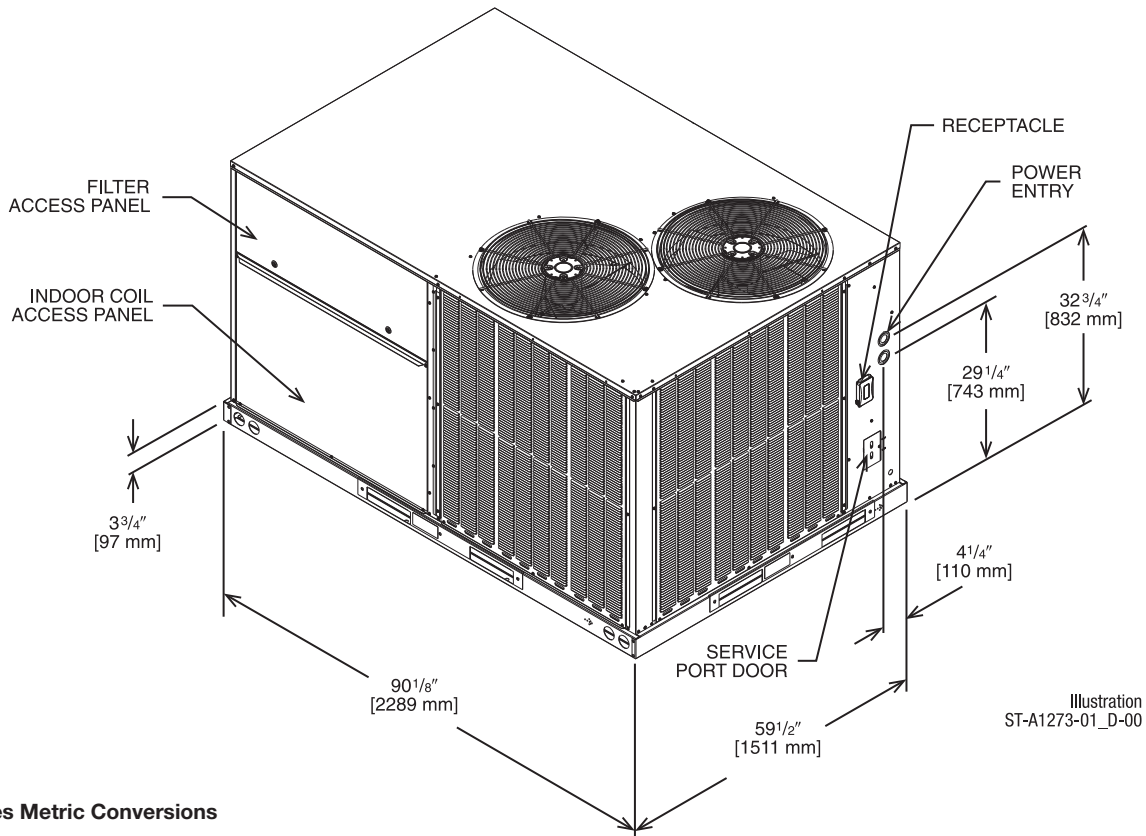
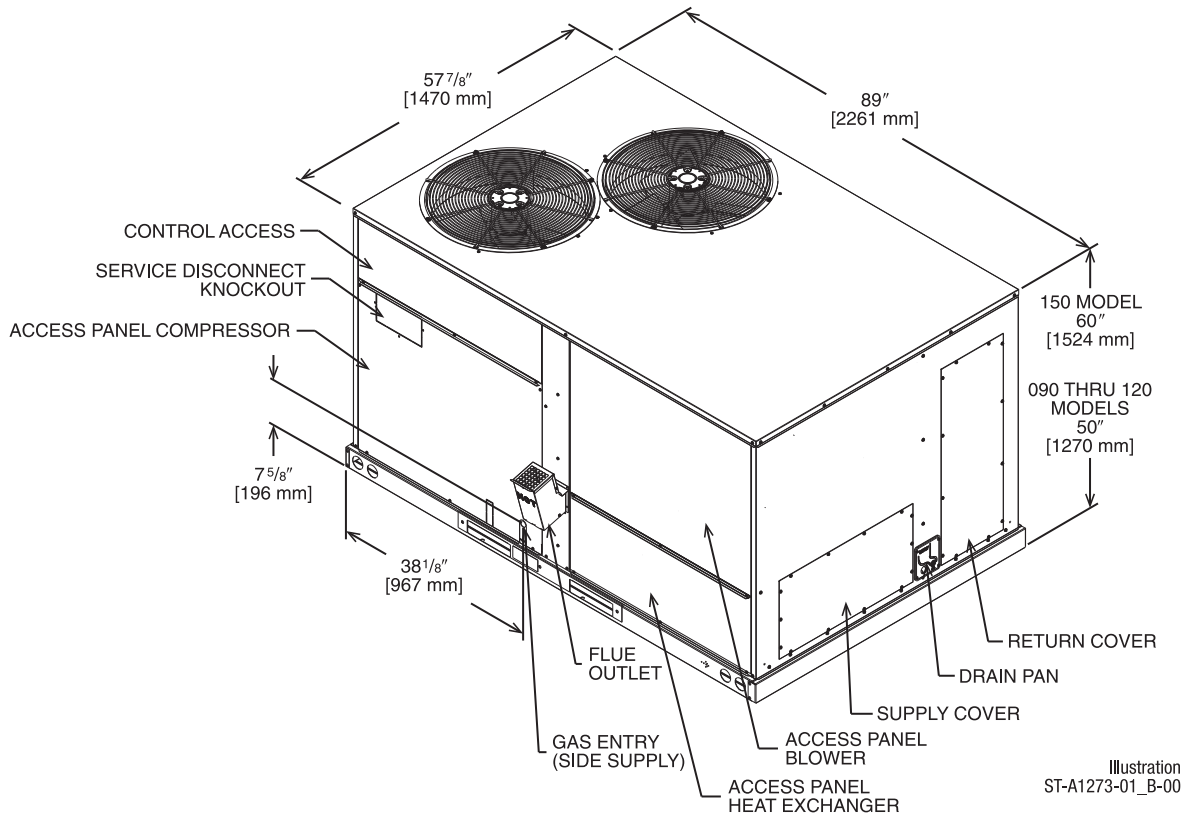
		102ACF15 102ACF22	102ACG15 102ACG22	102ACH15 102ACH22	102ADF15 102ADF22	102ADG15 102ADG22	102ADH15 102ADH22
Unit Information	Unit Operating Voltage Range	187-253	187-253	187-253	414-506	414-506	414-506
	Volts	208/230	208/230	208/230	460	460	460
	Phase	3	3	3	3	3	3
	Hz	60	60	60	60	60	60
	Minimum Circuit Ampacity	46	48	51	21	22	24
	Minimum Overcurrent Protection Device Size	60	60	60	25	25	30
	Maximum Overcurrent Protection Device Size	70	70	70	30	30	35
Compressor Motor	No.	1	1	1	1	1	1
	Volts	208/230	208/230	208/230	460	460	460
	Phase	3	3	3	3	3	3
	RPM	3450	3450	3450	3450	3450	3450
	HP, Compressor 1	7 1/2	7 1/2	7 1/2	7 1/2	7 1/2	7 1/2
	Amps (RLA), Comp. 1	28.8	28.8	28.8	12.5	12.5	12.5
	Amps (LRA), Comp. 1	191	191	191	100	100	100
Condenser Motor	No.	2	2	2	2	2	2
	Volts	208/230	208/230	208/230	460	460	460
	Phase	1	1	1	1	1	1
	HP	1/5	1/5	1/5	1/5	1/5	1/5
	Amps (FLA, each)	1.2	1.2	1.2	0.8	0.8	0.8
	Amps (LRA, each)	2.3	2.3	2.3	1.4	1.4	1.4
Evaporator Fan	No.	1	1	1	1	1	1
	Volts	208/230	208/230	208/230	460	460	460
	Phase	3	3	3	3	3	3
	HP	2	3	3	2	3	3
	Amps (FLA, each)	7	9.1	12	3.5	4.6	6
	Amps (LRA, each)	45	74.5	74.5	22.5	38.1	38.1

ELECTRICAL DATA – GEDZT SERIES

		120ACF15 120ACF22	120ACG15 120ACG22	120ACH15 120ACH22	120ADF15 120ADF22	120ADG15 120ADG22	120ADH15 120ADH22
Unit Information	Unit Operating Voltage Range	187-253	187-253	187-253	414-506	414-506	414-506
	Volts	208/230	208/230	208/230	460	460	460
	Phase	3	3	3	3	3	3
	Hz	60	60	60	60	60	60
	Minimum Circuit Ampacity	54	56	58	26	27	28
	Minimum Overcurrent Protection Device Size	70	70	70	30	30	35
	Maximum Overcurrent Protection Device Size	80	80	90	40	40	30
Compressor Motor	No.	1	1	1	1	1	1
	Volts	208/230	208/230	208/230	460	460	460
	Phase	3	3	3	3	3	3
	RPM	3450	3450	3450	3450	3450	3450
	HP, Compressor 1	10	10	10	10	10	10
	Amps (RLA), Comp. 1	32.6	32.6	32.6	14.8	14.8	14.8
	Amps (LRA), Comp. 1	240	240	240	130	130	130
Condenser Motor	No.	2	2	2	2	2	2
	Volts	208/230	208/230	208/230	460	460	460
	Phase	1	1	1	1	1	1
	HP	1/3	1/3	1/3	1/3	1/3	1/3
	Amps (FLA, each)	2.4	2.4	2.4	1.4	1.4	1.4
	Amps (LRA, each)	4.7	4.7	4.7	2.4	2.4	2.4
Evaporator Fan	No.	1	1	1	1	1	1
	Volts	208/230	208/230	208/230	460	460	460
	Phase	3	3	3	3	3	3
	HP	2	2	2	2	3	3
	Amps (FLA, each)	7.9	10.1	12	3.9	5.1	6
	Amps (LRA, each)	45	74.5	74.5	22.5	38.1	38.1

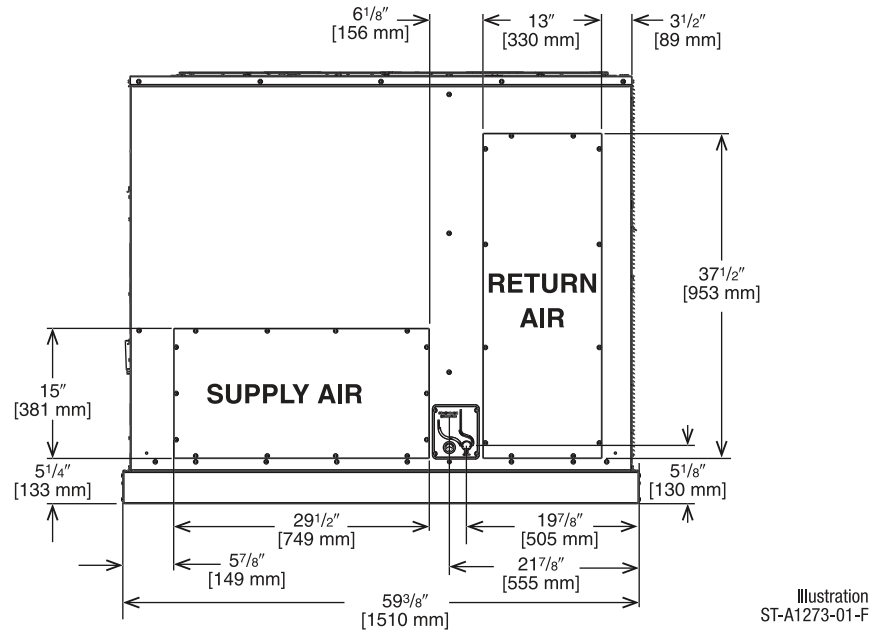
ELECTRICAL DATA – GEDZT SERIES

		150ACF15 150ACF22	150ACG15 150ACG22	150ADF15 150ADF22	150ADG15 150ADG22
Unit Information	Unit Operating Voltage Range	187-253	187-253	414-506	414-506
	Volts	208/230	208/230	460	460
	Phase	3	3	3	3
	Hz	60	60	60	60
	Minimum Circuit Ampacity	70	75	34	37
	Minimum Overcurrent Protection Device Size	80	90	40	40
	Maximum Overcurrent Protection Device Size	90	90	40	45
Compressor Motor	No.	2	2	2	2
	Volts	208/230	208/230	460	460
	Phase	3	3	3	3
	RPM	3450	3450	3450	3450
	HP, Compressor 1	6	6	6	6
	Amps (RLA), Comp. 1	22.4	22.4	10.6	10.6
	Amps (LRA), Comp. 1	164	164	100	100
	HP, Compressor 2	6	6	6	6
	Amps (RLA), Comp. 2	22.4	22.4	10.6	10.6
	Amps (LRA), Comp. 2	164	164	100	100
Condenser Motor	No.	2	2	2	2
	Volts	208/230	208/230	460	460
	Phase	1	1	1	1
	HP	3/4	3/4	3/4	3/4
	Amps (FLA, each)	4.2	4.2	2.3	2.3
	Amps (LRA, each)	10.1	10.1	4.9	4.9
Evaporator Fan	No.	1	1	1	1
	Volts	208/230	208/230	460	460
	Phase	3	3	3	3
	HP	3	5	3	5
	Amps (FLA, each)	10.4	16	5.2	8
	Amps (LRA, each)	74.5	82	38.1	41

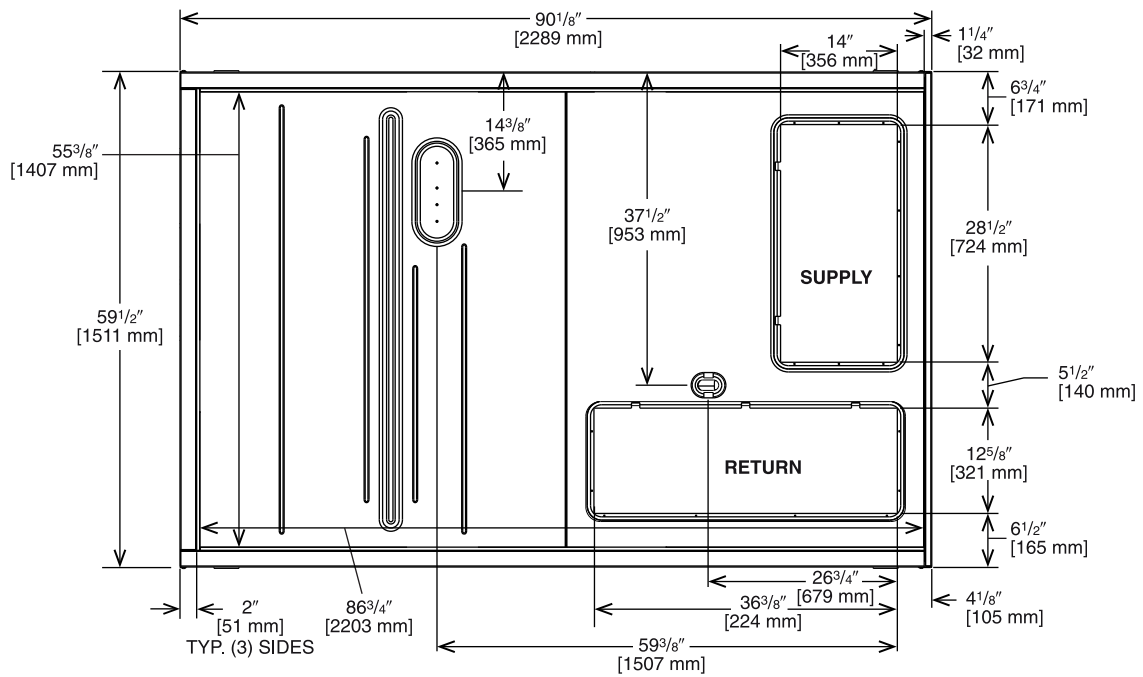


[] Designates Metric Conversions

SUPPLY AND RETURN DIMENSIONS FOR HORIZONTAL APPLICATIONS



SUPPLY AND RETURN DIMENSIONS FOR DOWNFLOW APPLICATIONS



[] Designates Metric Conversions

WEIGHTS

Capacity Tons [kW]	Corner Weights by Percentage			
	A	B	C	D
7.5-12.5 [21.1-44.0]	26%	34%	17%	23%

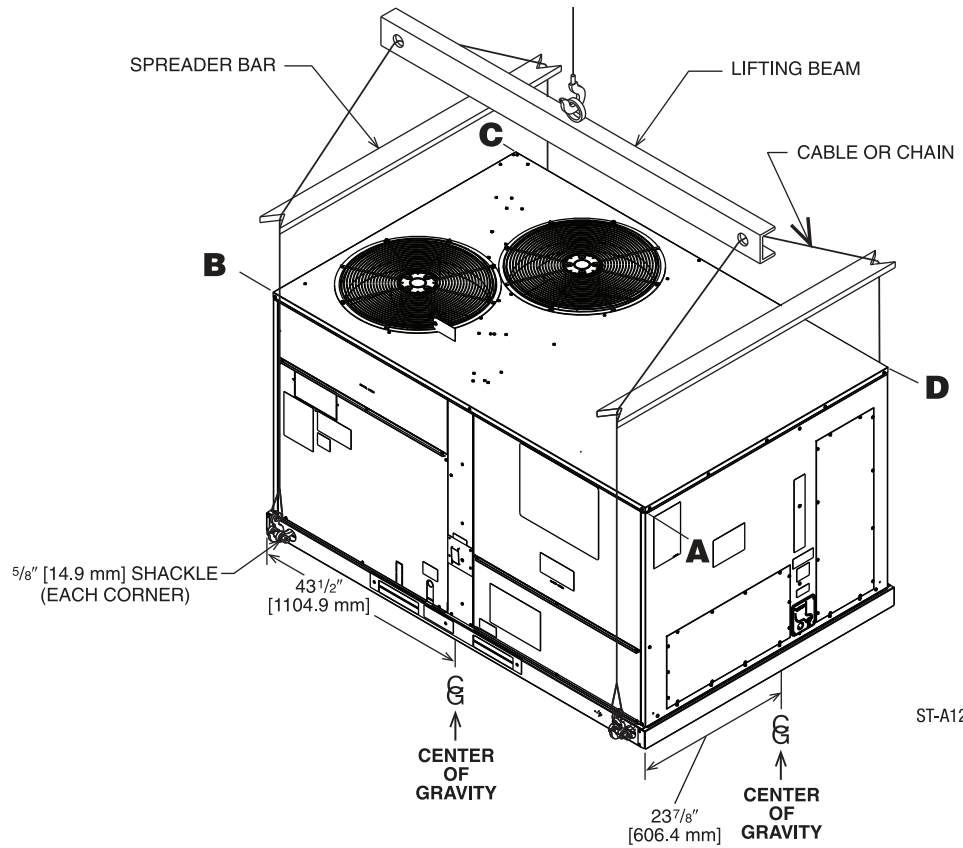


Illustration ST-A1273-01_J-00

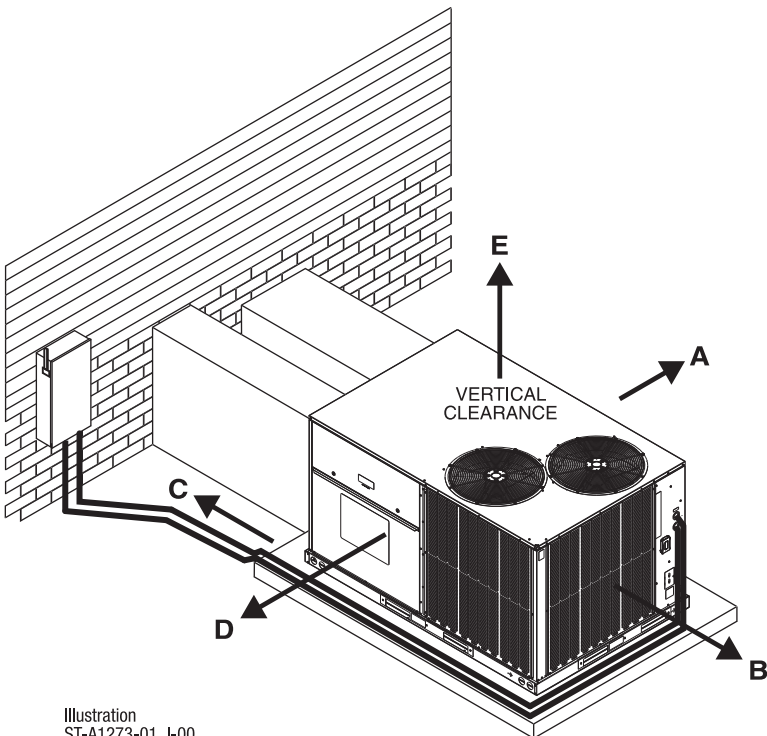


Illustration ST-A1273-01_I-00

CLEARANCES

The following minimum clearances must be observed for proper unit performance and serviceability.

RECOMMENDED CLEARANCE In. [mm]	LOCATION
48 [1219]	A - FRONT
24 [609]	B - CONDENSER END
48 [1219] ①	C - DUCT END
24 [609] ②	D - FILTER SIDE
60 [1524]	E - ABOVE

① 18" [457 mm] MINIMUM IF DRAINPAN WILL NOT BE REMOVED.

② 48" [1219 MM] MINIMUM IF ECONOMIZER IS INSTALLED.

[] Designates Metric Conversions

FIELD-INSTALLED ACCESSORY EQUIPMENT

Accessory Description	Model Number	Shipping Weight Lbs. [kg]	Installed Weight Lbs. [kg]	Factory Installation Available?
Economizer w/Single Enthalpy (Downflow)	RXRD-01MDDAM3	86 [39.0]	57 [25.9]	Yes
Economizer w/Single Enthalpy (Horizontal)	RXRD-01MDHAM3	84 [38.1]	55 [24.9]	No
Economizer-w/Single Enthalpy (Downflow) DDC	RXRD-01MDDBM3	86 [39.0]	57 [25.9]	Yes
Economizer w/Single Enthalpy (Horizontal) DDC	RXRD-01MDHBM3	84 [38.1]	55 [24.9]	No
Dual Enthalpy Kit	RXRX-BV01	1 [.5]	1 [.5]	No
Dual Enthalpy Kit DDC	RXRX-BV02	1 [.5]	1 [.5]	No
Carbon Dioxide Sensor (Wall Mount)	RXRX-AR02	3 [1.4]	2 [1.0]	No
Power Exhaust	RXRX-CDF01C	58 [26.3]	48 [21.8]	No
Power Exhaust	RXRX-CDF01D	50 [22.7]	44 [20.0]	No
Manual Fresh Air Damper	RXRF-ADA1	15 [6.8]	12 [5.4]	No
Motorized Fresh Air Damper	RXRF-ADB1	38 [17.2]	31 [14.06]	No
Motorized Fresh Air Damper (DDC)	RXRF-ADC1	38 [17.2]	31 [14.06]	No
Roofcurb, 14"	RXKG-DDD14	109 [49.4]	104 [47.2]	No
Roofcurb, 24'	RXKG-DDD24	145 [65.8]	140 [63.5]	No
Roofcurb Adapter*	RXRX-DDCAE	235 [106.6]	215 [97.5]	No
Concentric Diffuser 7.5/8.5 Ton Flush	RXRN-AEF2000	30 [13.6]	25 [11.3]	No
Concentric Diffuser 10.0 Ton Flush	RXRN-AEF3415	250 [113.4]	130 [59]	No
Concentric Diffuser 12.5 Ton Flush	RXRN-AEF3618	275 [124.7]	170 [77.1]	No
Concentric Diffuser 7.5/8.5 Ton Drop	RXRN-AED2000	35 [15.9]	30 [13.6]	No
Concentric Diffuser 10.0 Ton Drop	RXRN-AED3415	270 [122.5]	160 [72.6]	No
Concentric Diffuser 12.5 Ton Drop	RXRN-AED3618	300 [136.1]	180 [81.6]	No
Concentric Adapter 7.5/8.5 Ton Drop	RXMC-DD01	25 [11.3]	20 [9.1]	No
Concentric Adapter 10 Ton Drop	RXMC-DD02	75 [34]	65 [29.5]	No
Concentric Adapter 12.5 Ton Drop	RXMC-DD03	75 [34]	65 [29.5]	No
Outdoor Coil Louver Kit - GED-090/102/120	RXRX-ADD04A	52 [23.6]	47 [21.3]	Yes
Outdoor Coil Louver Kit - GED-150	RXRX-ADD04B	43 [19.5]	39 [17.7]	Yes
Unwired Convenience Outlet	RXRX-BN01	2 [1.0]	1.5 [.7]	Yes
Unfused Service Disconnect	RXRX-BP01	10 [4.5]	9 [4.1]	Yes
Comfort Alert (1 Per Compressor)	RXRX-AZ02	3 [1.5]	2 [0.9]	Yes
BACnet Communication Card	RXRX-AY01	1 [0.5]	1 [0.5]	No
LonWorks Communication Card	RXRX-AY02	1 [0.5]	1 [0.5]	No
Room Humidity Sensor	RHC-ZNS4	1 [0.5]	1 [0.5]	No
Room Temperature and Relative Humidity Sensor	RHC-ZNS5	1 [0.5]	1 [0.5]	No
Low-Ambient Control Kit	RXRZ-A04	4 [1.8]	3 [1.4]	Yes
Freeze Stat Kit	RXRX-AM01	2 [1.0]	1.5 [.7]	Yes
LP Kit	RXGJ-FP39	2 [1.0]	0 [.0]	No
Variable Frequency Drive Kit	RXRX-AC02	9.1 [4.1]	7.6 [3.4]	No
	RXRX-AC03	11.7 [5.3]	10.2 [4.6]	No
	RXRX-AC05	11.7 [5.3]	10.2 [4.6]	No
	RXRX-AD02	9.4 [4.3]	7.9 [3.6]	No
	RXRX-AD03	12.3 [5.6]	10.8 [4.9]	No
	RXRX-AD05	12.3 [5.6]	10.8 [4.9]	No
	RXRX-CC02	9.1 [4.1]	7.6 [3.4]	No
	RXRX-CC03	11.7 [5.3]	10.2 [4.6]	No
	RXRX-CC05	11.7 [5.3]	10.2 [4.6]	No
	RXRX-CD02	9.4 [4.3]	7.9 [3.6]	No
	RXRX-CD03	12.3 [5.6]	10.8 [4.9]	No
	RXRX-CD05	12.3 [5.6]	10.8 [4.9]	No

NOTICE: Please refer to conversion kit index provided with the unit for LP conversion kit.

*This adapter converts to "B" series units 1st generation.

[] Designates Metric Conversions

FLUSH MOUNT ROOM TEMPERATURE SENSORS FOR NETWORKED DDC APPLICATIONS



**ROOM TEMPERATURE SENSOR
with TIMED OVERRIDE BUTTON**

RHC-ZNS1

10k Ω room temperature sensor transmits room temperature to DDC system. Timed override button allows tenant to change from unoccupied temperature setpoint to occupied temperature setpoint for a preset time.



**ROOM TEMPERATURE SENSOR
with TIMED OVERRIDE BUTTON and STATUS INDICATOR**

RHC-ZNS2

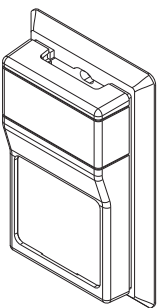
10k Ω room temperature sensor transmits room temperature to DDC system. Timed override button allows tenant to change from unoccupied temperature setpoint to occupied temperature setpoint for a preset time. Status Indicator Light transmits ALARM flash code to occupied space.



**ROOM TEMPERATURE SENSOR
with SETPOINT ADJUSTMENT and TIMED OVERRIDE BUTTON**

RHC-ZNS3

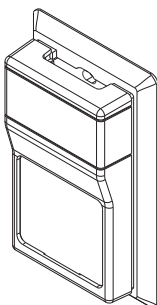
10k Ω room temperature sensor with setpoint adjustment transmits room temperature to DDC system along with desired occupied room temperature setpoint. Timed override button allows tenant to change from unoccupied temperature setpoint to occupied temperature setpoint for a preset time.



ROOM HUMIDITY SENSOR

RHC-ZNS4

Transmits room relative humidity to DDC System.



ROOM TEMPERATURE AND RELATIVE HUMIDITY SENSOR

RHC-ZNS5

Transmits room temperature and relative humidity to DDC System.

COMMUNICATION CARDS



BACnet® COMMUNICATION CARD RXRX-AY01

The field installed BACnet® Communication Card allows the RTU-C unit controller to communicate with a third party building management system that supports the BACnet Application Specific Controller device profile. The BACnet® Communication Module plugs onto the unit RTU-C controller and allows communication between the RTU-C and the BACnet MSTP network.



LonWorks® COMMUNICATION CARD RXRX-AY02

The field installed LonWorks® Communication Card allows the RTU-C unit controller to communicate with a third party building management system that supports the LonMark Space Comfort Controller (SCC) functional profile or LonMark Discharge Air Controller (DAC) functional profile. The LonMark Communication Module plugs onto the RTU-C controller and allows communication between the RTU-C and a LonWorks Network.

NON-DDC ECONOMIZER FOR DOWNFLOW DUCT INSTALLATION

Use to Select Field-Installed Options Only

RXRD-01MDDAM3—Single Enthalpy (Outdoor)

RRRX-BV01—Dual Enthalpy Upgrade Kit

RRRX-AR02—Optional Wall-Mounted CO₂ Sensor

- Features **Honeywell JADE™** Digital Controls
- Available Factory Installed or Field Accessory
- Gear Driven Direct Drive Actuator
- Fully Modulating (0-100%)
- Ultra Low Leak Dampers meet California Title 24 requirements and ASHRAE 90.1 2013
- AMCA 511 Certified Class 1A Leakage—1" WG of differential pressure tested to AMCA Standard 500-D
- Slip-In Design for Easy Installation
- Plug-In Polarized 12-pin Electrical Connections
- Standard Barometric Relief Damper
- Single Enthalpy with Dual Enthalpy Upgrade Kit Available
- CO₂ Input Sensor Available
- Field Assembled Hood Ships with Economizer
- Economizer Ships Complete for Down-flow Duct Application.
- Field Installed Power Exhaust Available
- Fault detections and diagnostics

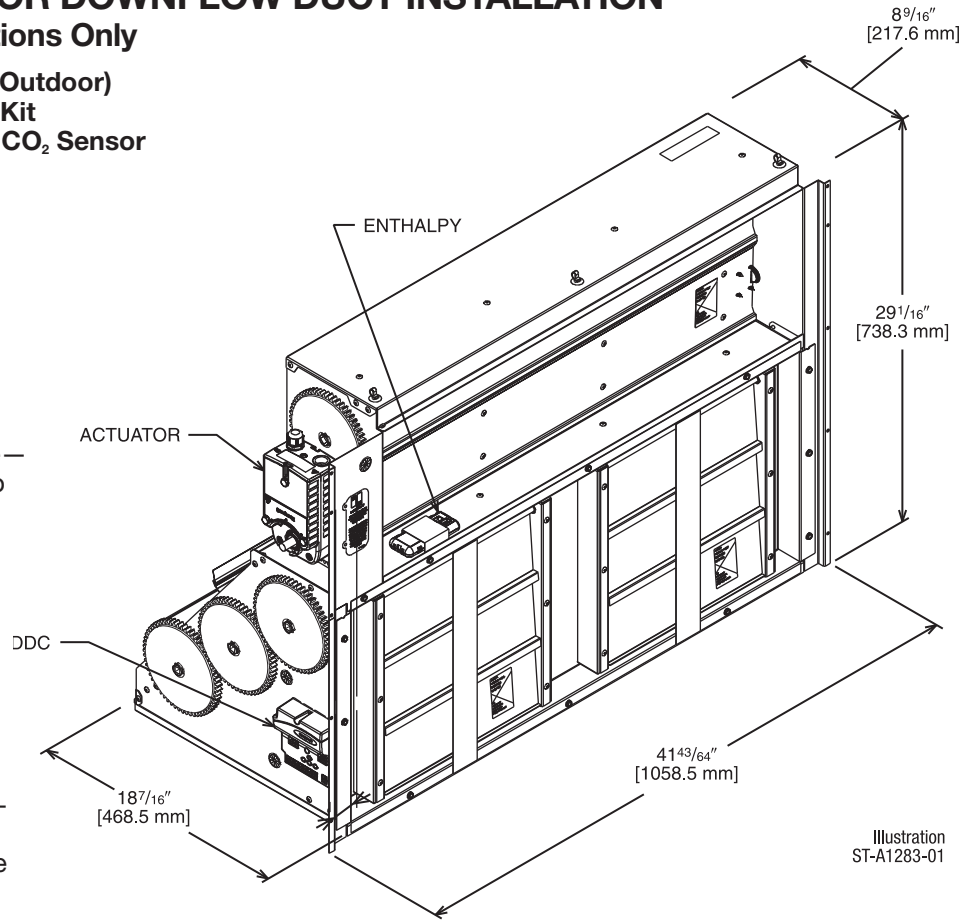


Illustration ST-A1283-01

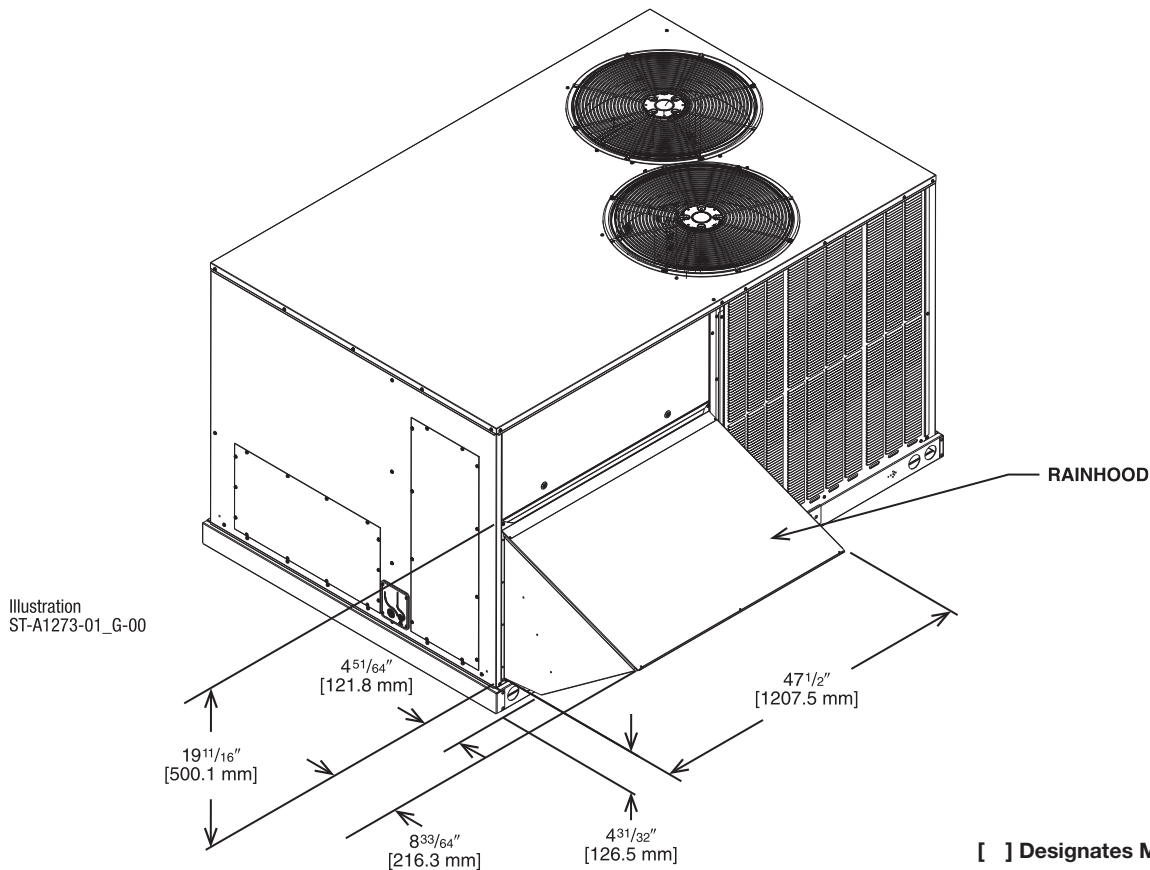


Illustration ST-A1273-01_G-00

[] Designates Metric Conversions

NON-DDC ECONOMIZER FOR HORIZONTAL DUCT INSTALLATION

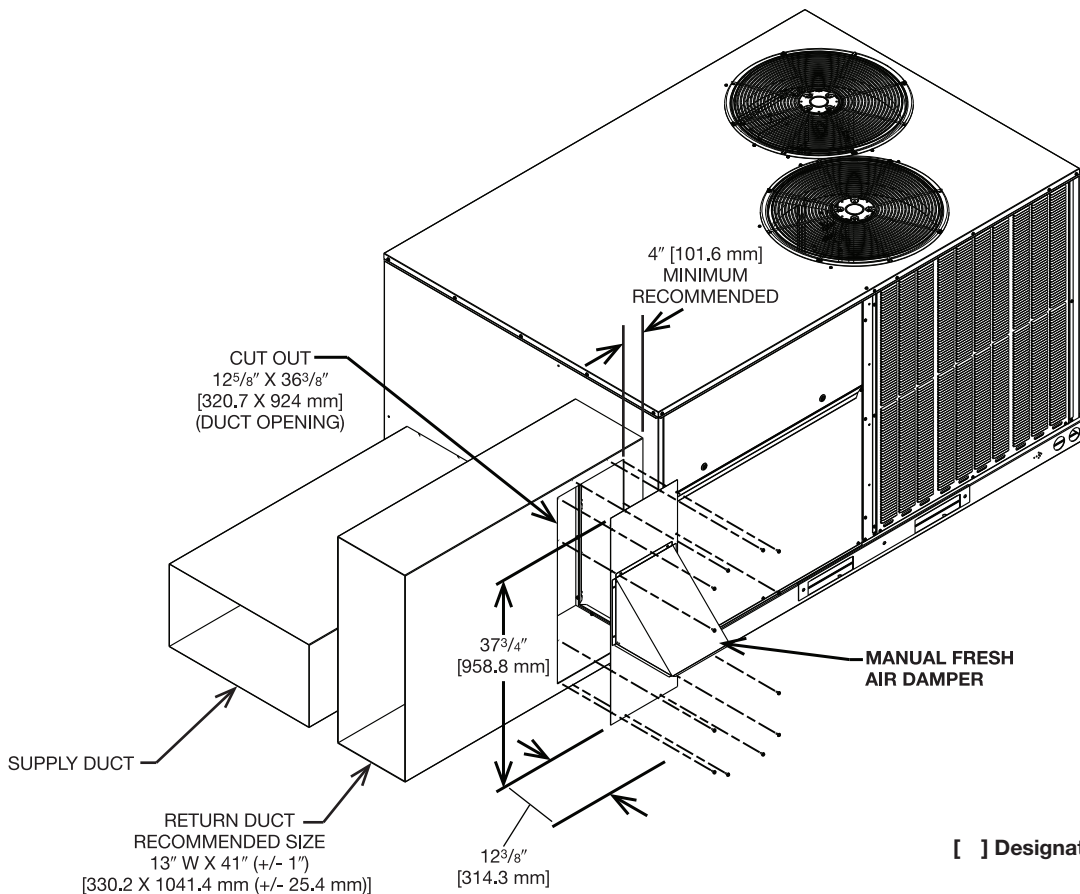
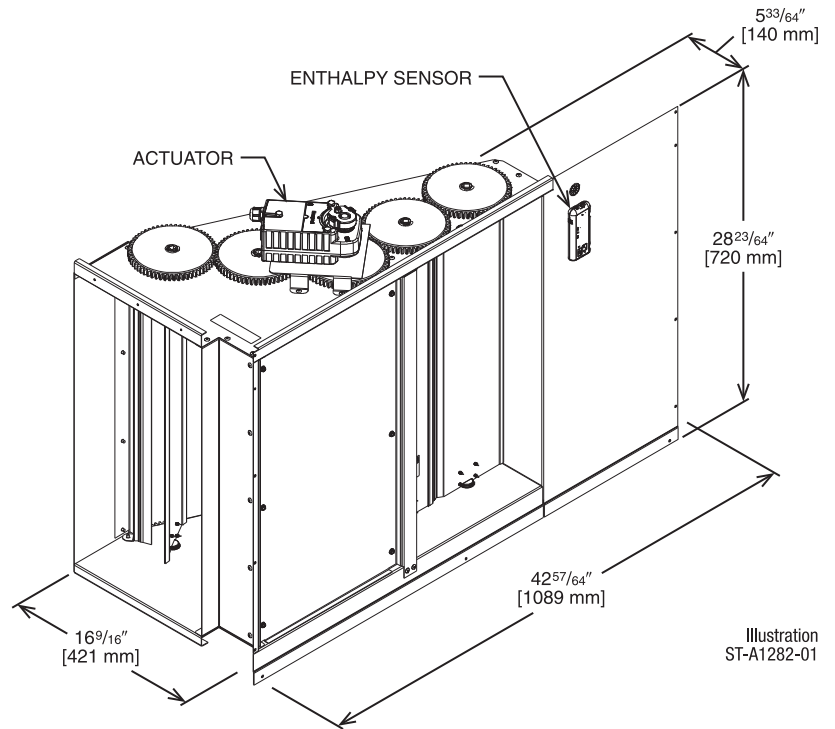
Field Installed Only

RXRD-01MDHAM3—Single Enthalpy (Outdoor)

RXRX-BV01—Dual Enthalpy Upgrade Kit

RXRX-AR02—Wall-mounted CO₂ Sensor

- Features **Honeywell JADE™** Digital Controls
- Available as a Field Installed Accessory Only
- Gear Driven Direct Drive Actuator
- Fully Modulating (0-100%)
- Ultra Low Leak Dampers meet California Title 24 requirements and ASHRAE 90.1 2013
- Slip-In Design for Easy Installation
- Standard Barometric Relief Damper
- Single Enthalpy with Dual Enthalpy Upgrade Kit Available
- CO₂ Input Sensor Available
- Field Assembled Hood Ships with Economizer
- Economizer Ships Complete for Horizontal Duct Application
- Field Installed Power Exhaust Available



[] Designates Metric Conversions

DDC—ECONOMIZER FOR DOWNFLOW DUCT INSTALLATION

Use to Select Field Installed Options Only

RXRD-01MDDBM3—Single Enthalpy (Outdoor)

RRRX-BV02—Dual Enthalpy Upgrade Kit

RRRX-AR02—Optional Wall-Mounted CO₂ Sensor

- Features **Honeywell** Controls
- Available Factory Installed or Field Accessory
- Gear Driven Direct Drive Actuator
- Fully Modulating (0-100%)
- Ultra Low Leak Dampers meet California Title 24 requirements and ASHRAE 90.1 2013
- Slip-In Design for Easy Installation
- Standard Barometric Relief Damper
- Single Enthalpy with Dual Enthalpy Upgrade Kit Available
- CO₂ Input Sensor Available
- Field Assembled Hood Ships with Economizer
- Economizer Ships Complete for Downflow Duct Application.
- Optional Remote Minimum Position Potentiometer (270 ohm) (Honeywell #S963B1136) is Available from Prostock.
- Field Installed Power Exhaust Available
- Prewired for Smoke Detector
- If connected to a Building Automation System (BAS), all economizer functions can be viewed on the (BAS), or 16 x 2 LCD screen
- If connected to thermostat, all economizer functions can be viewed on 16 x 2 LCD screen

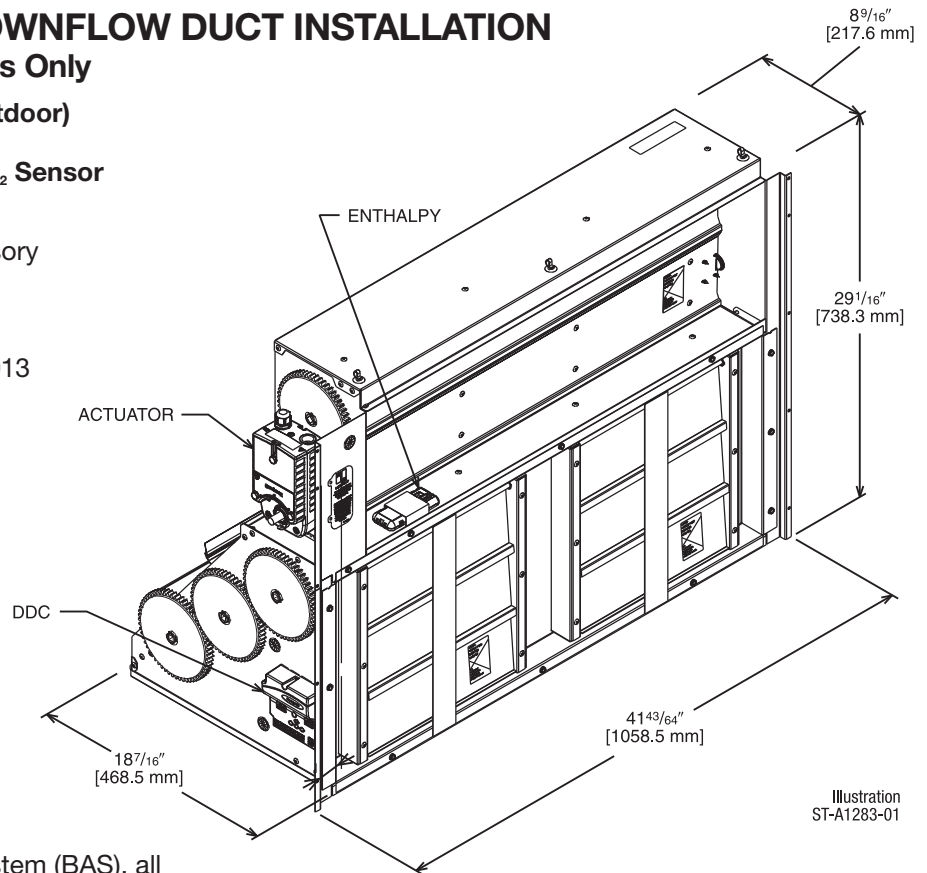


Illustration ST-A1283-01

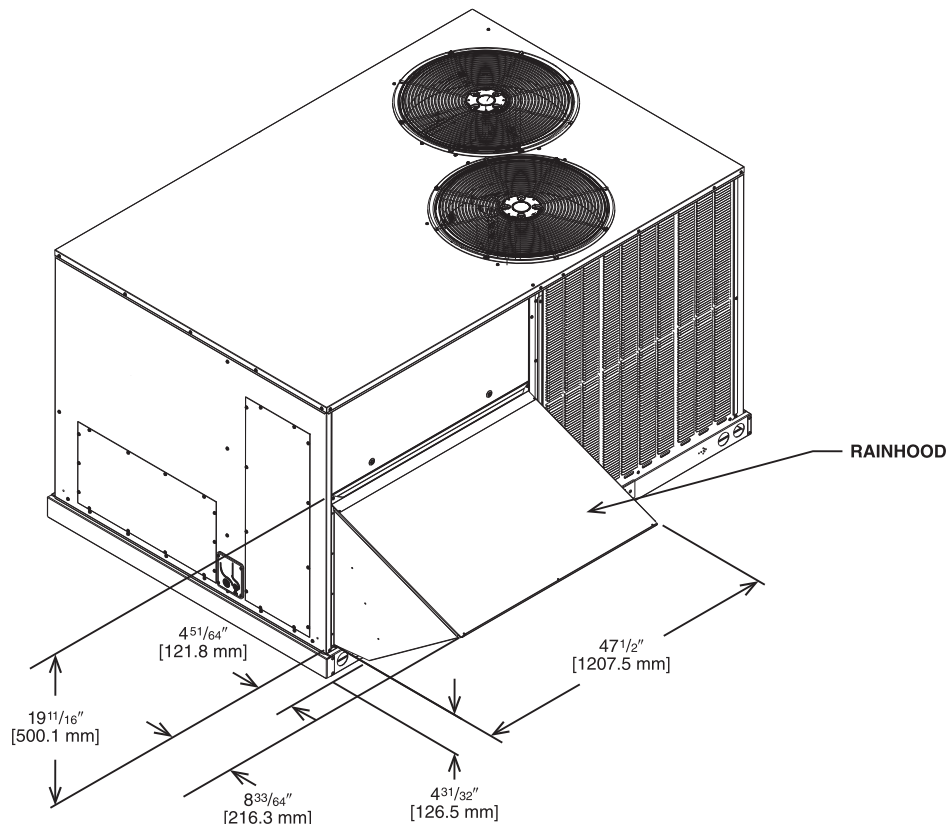


Illustration ST-A1273-01_G-00

[] Designates Metric Conversions

DDC—ECONOMIZER FOR HORIZONTAL DUCT INSTALLATION

Field Installed Only

RXR0-01MDHBM3—Single Enthalpy (Outdoor)

RXXR-BV02—Dual Enthalpy Upgrade Kit

RXXR-AR02—Wall-mounted CO₂ Sensor

- Features **Honeywell** Controls
- Available as a Field Installed Accessory Only
- Gear Driven Direct Drive Actuator
- Fully Modulating (0-100%)
- Ultra Low Leak Dampers meet California Title 24 requirements and ASHRAE 90.1 2013
- Slip-In Design for Easy Installation
- Standard Barometric Relief Damper
- Single Enthalpy with Dual Enthalpy Upgrade Kit Available
- CO₂ Input Sensor Available
- Field Assembled Hood Ships with Economizer
- Economizer Ships Complete for Horizontal Duct Application
- Optional Remote Minimum Position Potentiometer (270 ohm) (Honeywell #S963B1136) is Available from Prostock
- Field Installed Power Exhaust Available
- If connected to a Building Automation System (BAS), all economizer functions can be viewed on the (BAS), or 16 x 2 LCD screen
- If connected to thermostat, all economizer functions can be viewed on 16 x 2 LCD screen

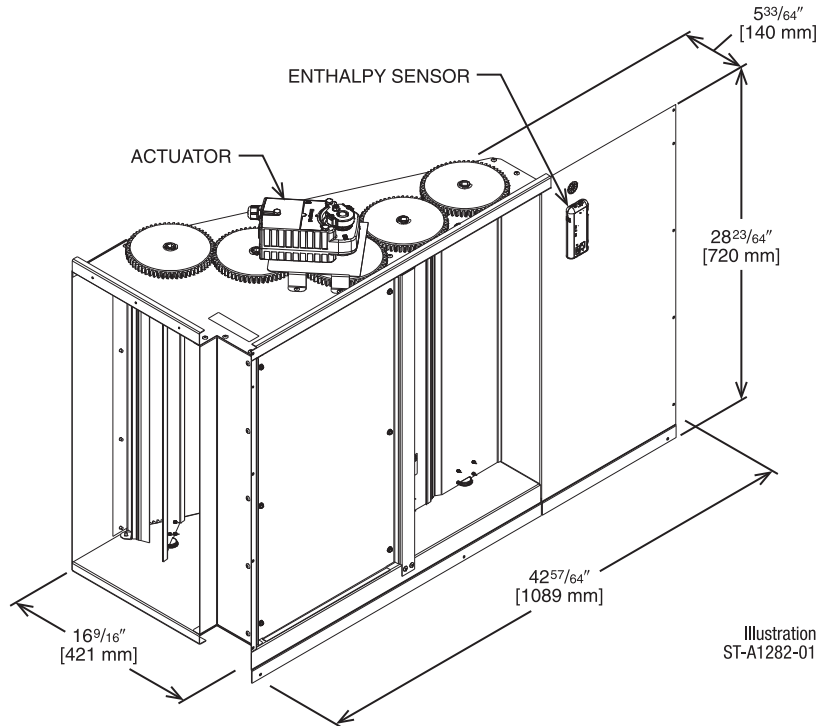


Illustration ST-A1282-01

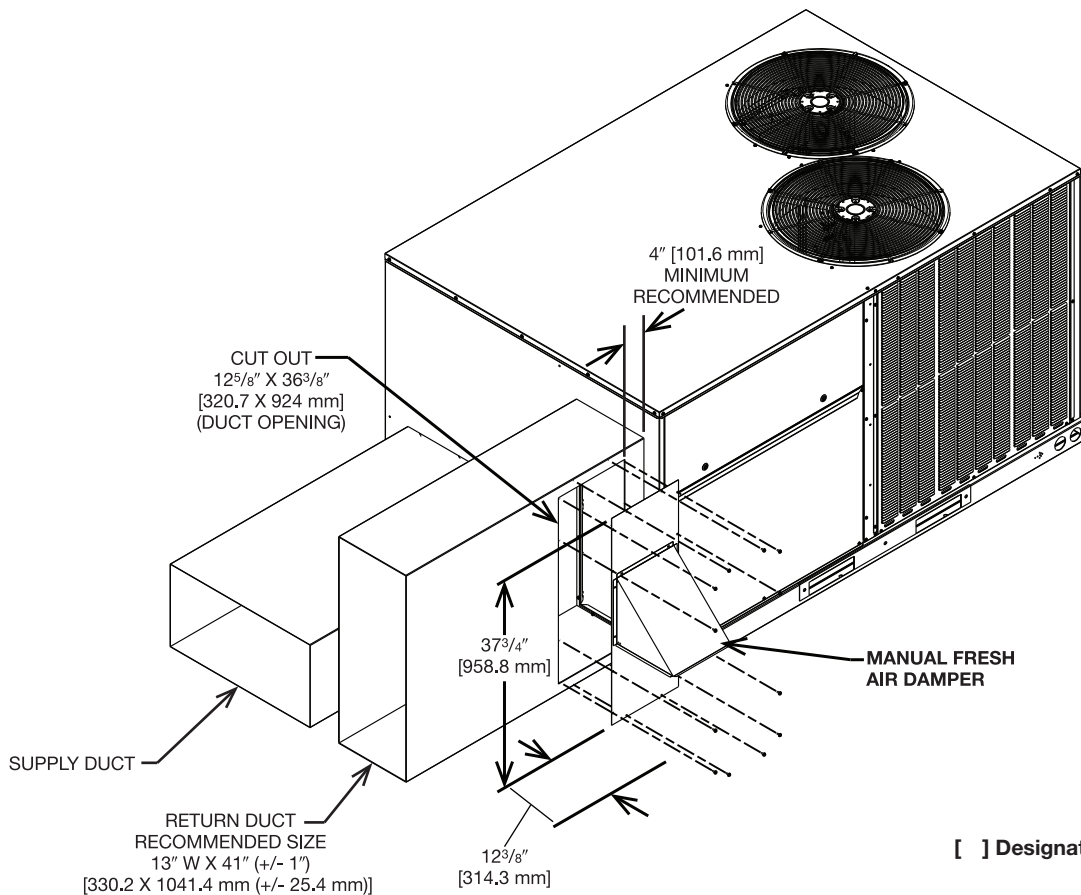


Illustration ST-A1273-04-01

[] Designates Metric Conversions

POWER EXHAUST KIT FOR RXRD-01MDDAM3, RXRD-01MDDBM3, RXRD-01MDHAM3, RXRD-01MDHBM3 ECONOMIZERS

RXRX-CDF01 (C, D, or Y*)

*Voltage Code

VERTICAL AIRFLOW

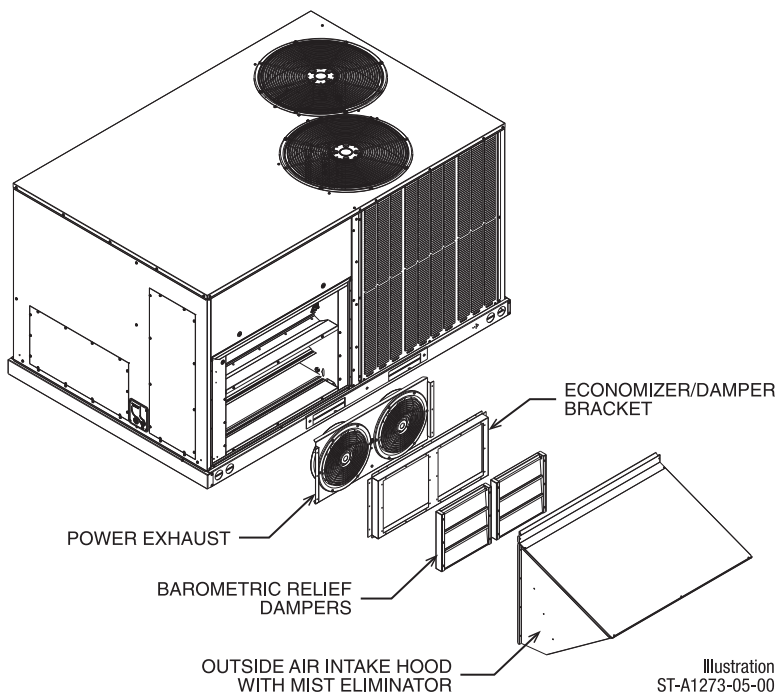


Illustration
ST-A1273-05-00

HORIZONTAL AIRFLOW

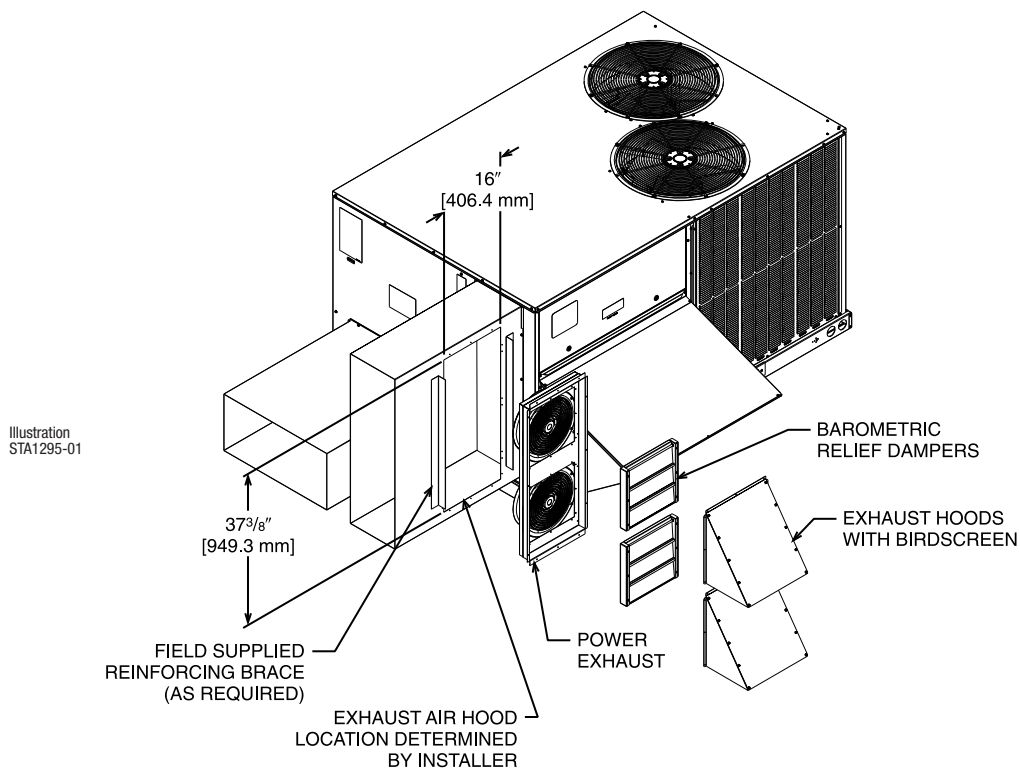


Illustration
STA1295-01

Model No.	No. of Fans	Volts	Phase	HP (ea.)	CFM [L/s]*	RPM	FLA (ea.)	LRA (ea.)
RXRX-CDF01C	2	208-230	1	0.47	2200	3000	1.55	1.1
RXRX-CDF01D	2	460	3	0.40	1970	2750	0.51	1.9

*CFM is per fan at 0" w.c. external static pressure.

[] Designates Metric Conversions

FRESH AIR DAMPER

MOTORIZED DAMPER KIT RXRF-ADB1

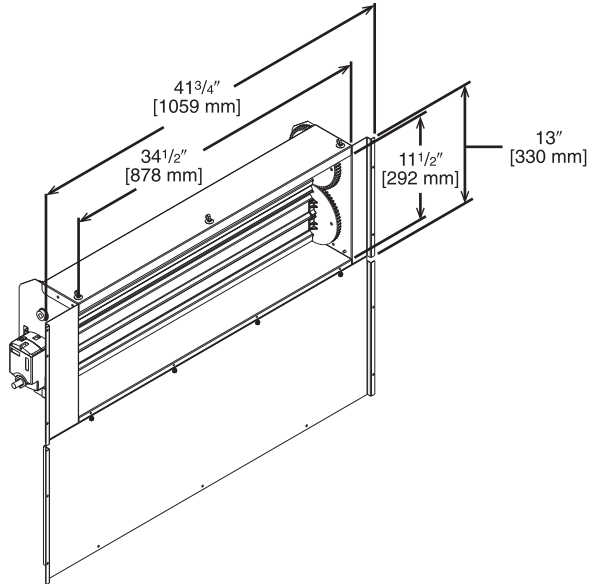


Illustration
ST-A1273-10-00

[] Designates Metric Conversions

MOTORIZED DAMPER KIT RXRX-ADC1 (Modulating Motor Kit with position feedback for DDC Models)

- Features **Honeywell** Controls
- Gear Driven Direct Drive Actuator
- Fully Modulating (0-100%)
- Low Leakage Dampers
- Slip-In Design for Easy Installation
- Plug-In Polarized 12-pin and 4-pin Electrical Connections
- Pre-Configured—No Field Adjustments Necessary
- Addition of Dual Enthalpy Upgrade Kit allows limited economizer function
- CO₂ Sensor Input Available for Demand Control Ventilation (DCV)
- All fresh air damper functions can be viewed at the RTU-C unit controller display
- If connected to a Building Automation System (BAS), all fresh air damper functions can be viewed on the (BAS), or 16 x 2 LCD screen
- If connected to thermostat, all fresh air damper functions can be viewed on 16 x 2 LCD screen

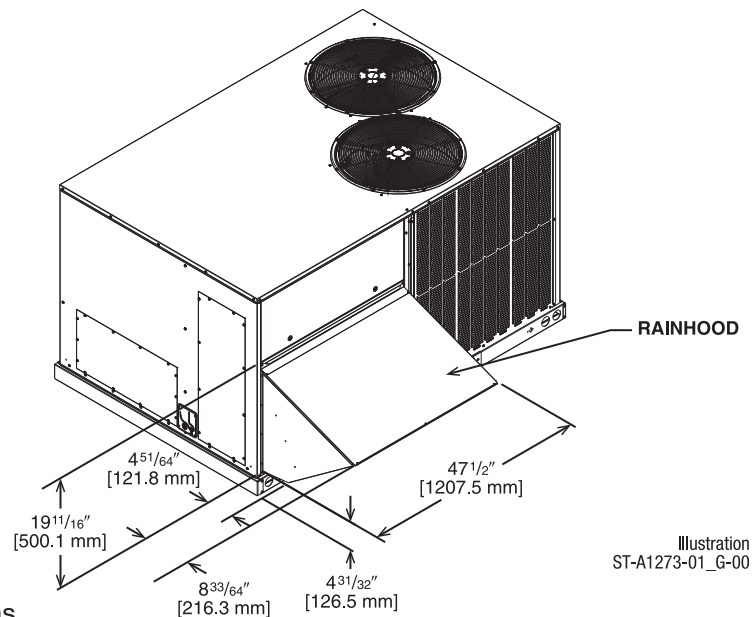
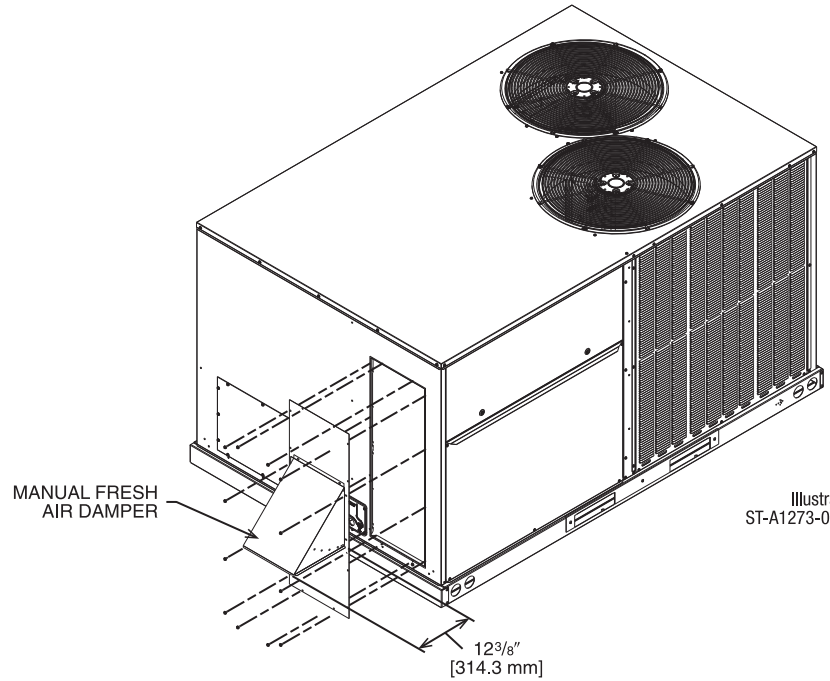


Illustration
ST-A1273-01_G-00

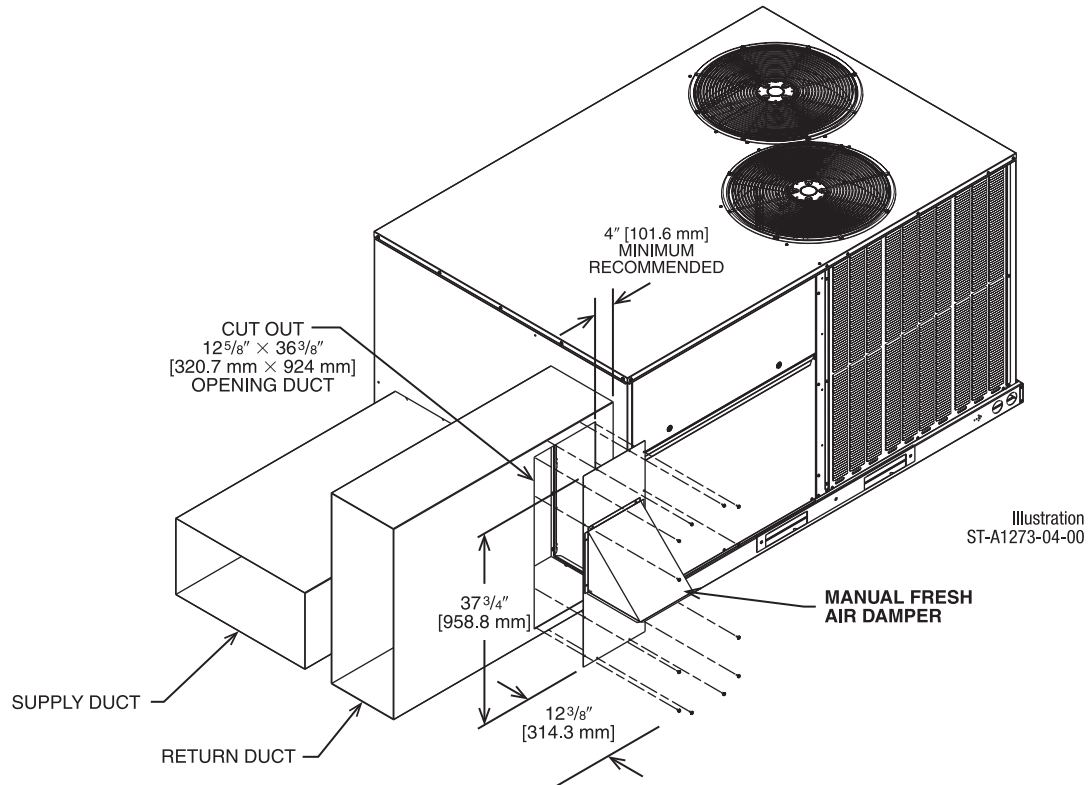
FRESH AIR DAMPER (Cont.)

AXRF-ADA1

DOWNFLOW APPLICATION



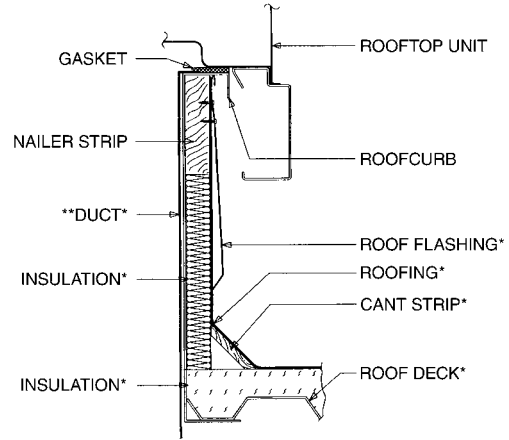
HORIZONTAL APPLICATION



[] Designates Metric Conversions

ROOFCURBS (Full Perimeter)

- Sure Comfort’s roofcurb design can be utilized on all 7.5-12.5 ton [26.4-44.0 kW] RGED- models.
- Two available heights (14" [356 mm] and 24" [610 mm]) for ALL models.
- Quick assembly corners for simple and fast assembly.
- Opening provided in bottom pan to match the “Thru the Curb” electrical, gas piping, condensate, connection opening provided on the unit base pan.
- 1" [25 mm] x 4" [102 mm] Nailer provided.
- Sealing gasket (40' [12.2 m]) provided with Roofcurb.
- Packaged for easy field assembly.



*BY CONTRACTOR
 **FOR INSTALLATION OF DUCT AS SHOWN, USE RECOMMENDED DUCT SIZES FROM ROOFCURB INSTALLATION INSTRUCTIONS. FOR DUCT FLANGE ATTACHMENT TO UNIT, SEE UNIT INSTALLATION INSTRUCTIONS FOR RECOMMENDED DUCT SIZES.

Illustration
 ST-A0743-02

Roofcurb Model	Height of Curb
RXKG-DDD14	14" [356 mm]
RXKG-DDD24	24" [610 mm]

ROOFCURB INSTALLATION

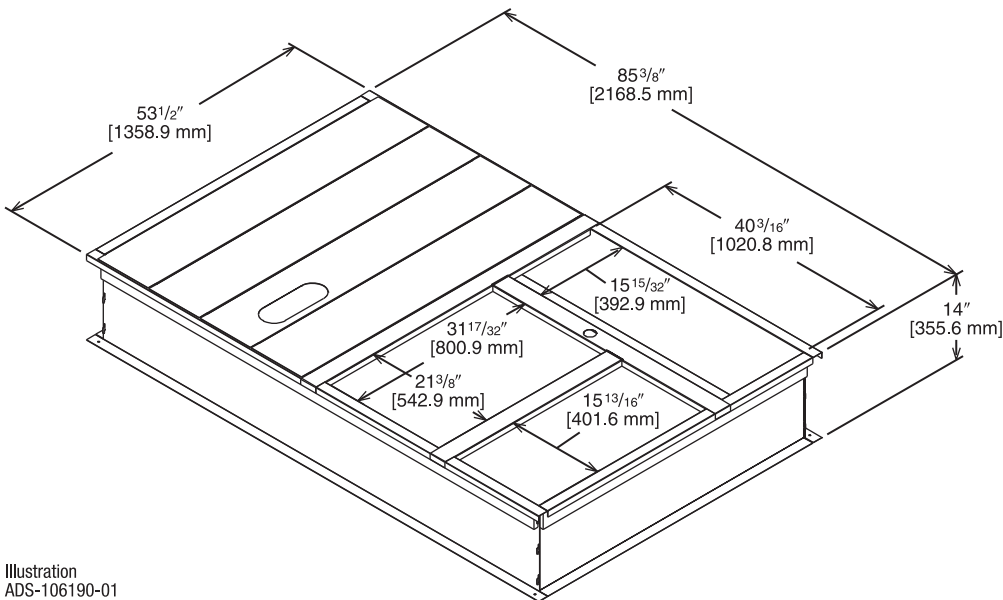


Illustration
 ADS-106190-01

[] Designates Metric Conversions

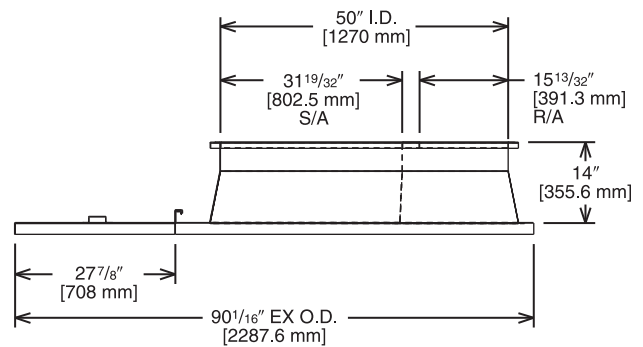
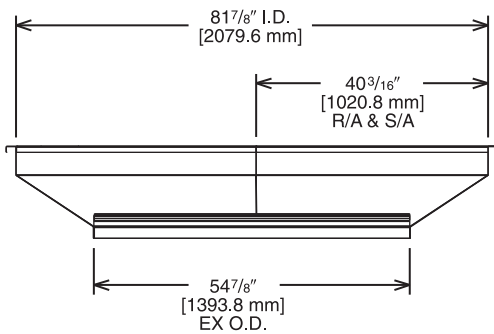
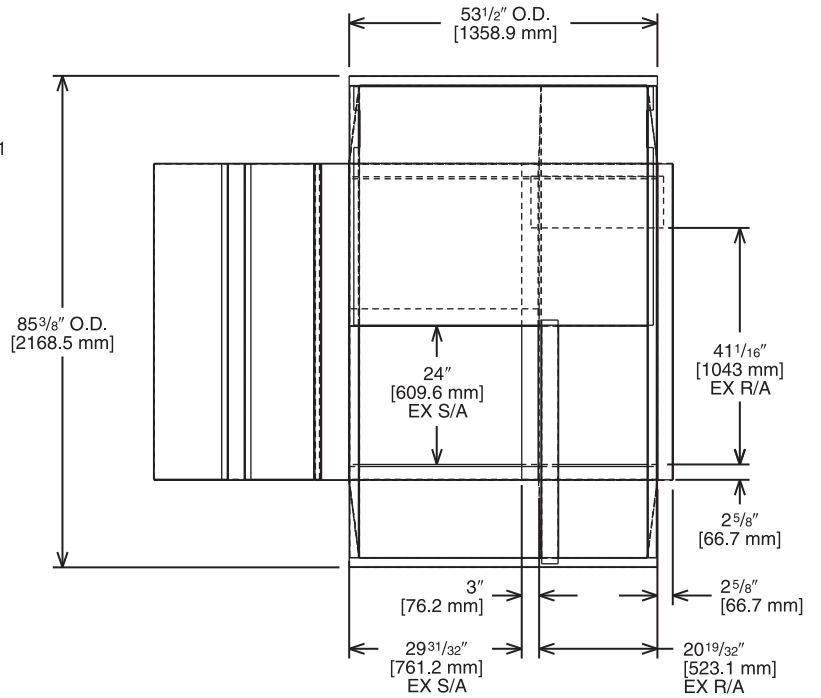
ROOFCURB ADAPTERS (Cont.)

RXXR-DDCAE

Illustration
ADS-106176-01
SHEET 2

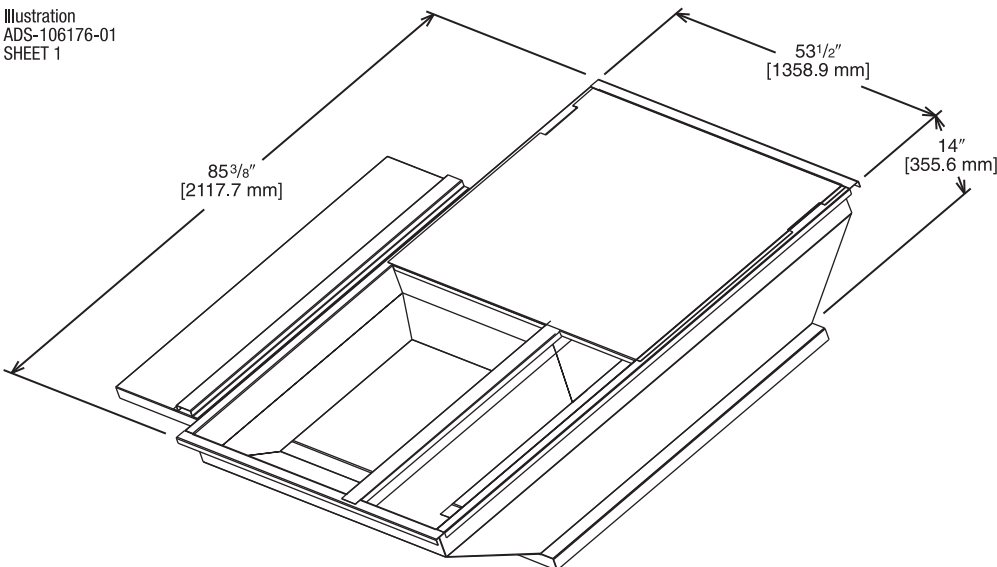
APPROXIMATE STATIC PRESSURE DROP

@2,000 = 0.06" w.g.
@3,000 = 0.12" w.g.
@4,000 = 0.22" w.g.
@5,000 = 0.36" w.g.



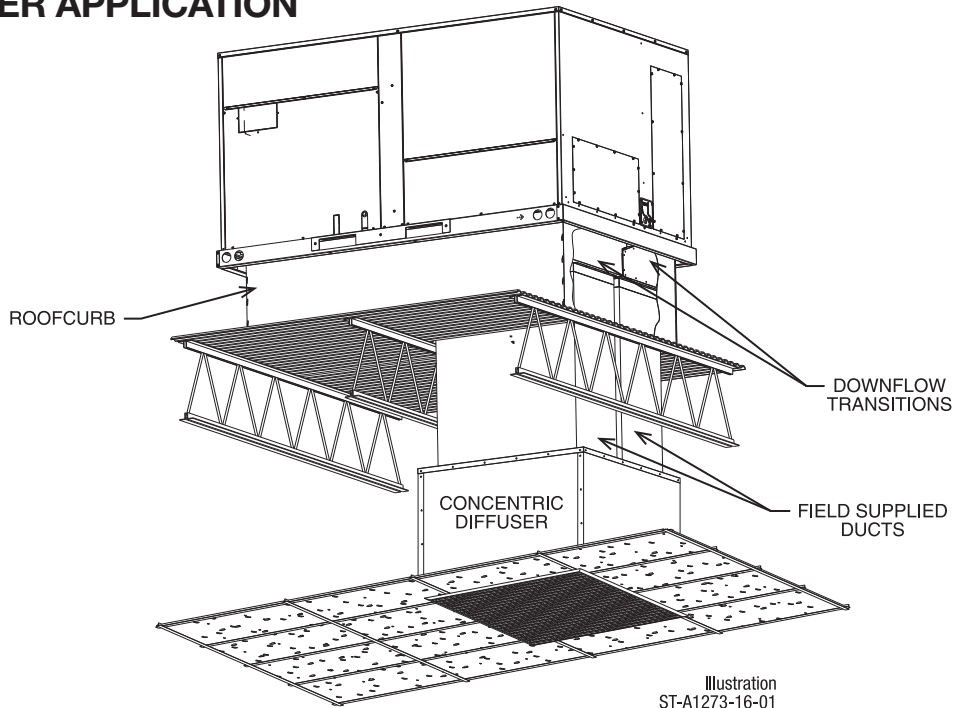
TOP VIEW

Illustration
ADS-106176-01
SHEET 1



[] Designates Metric Conversions

CONCENTRIC DIFFUSER APPLICATION



DOWNFLOW TRANSITION DRAWINGS

RXMC-DDO2

- Used with AEF3415 or AED3415 Concentric Diffusers.

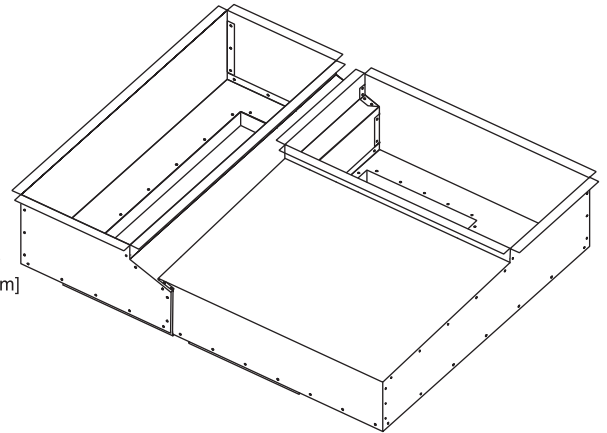
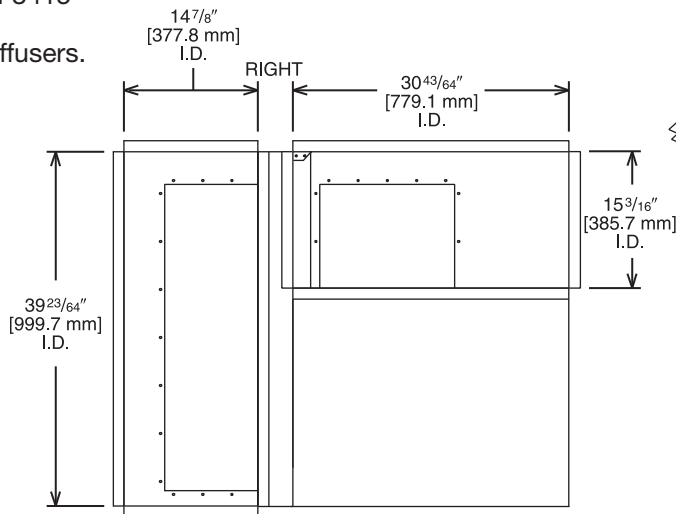
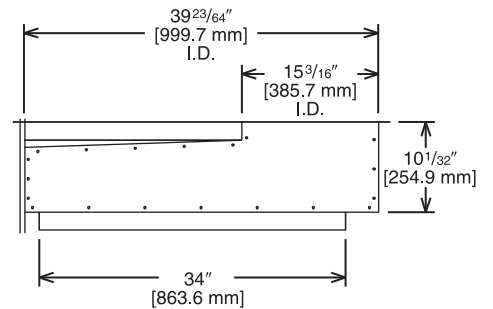
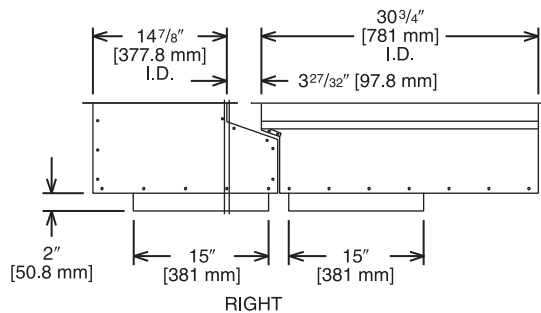


Illustration
ADS-106193-02



[] Designates Metric Conversions

DOWNFLOW TRANSITION DRAWINGS

RXMC-DD03

- Used with AEF3618 or AED3618 Concentric Diffusers.

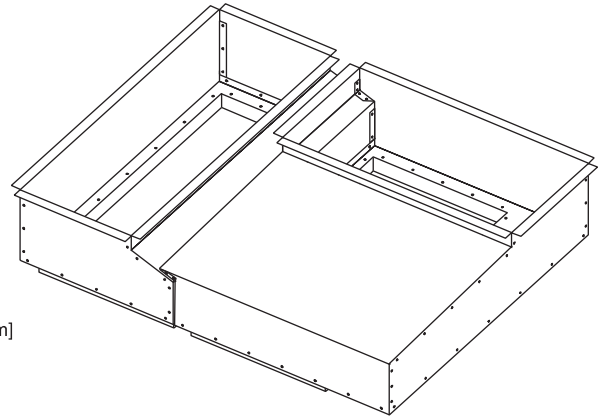
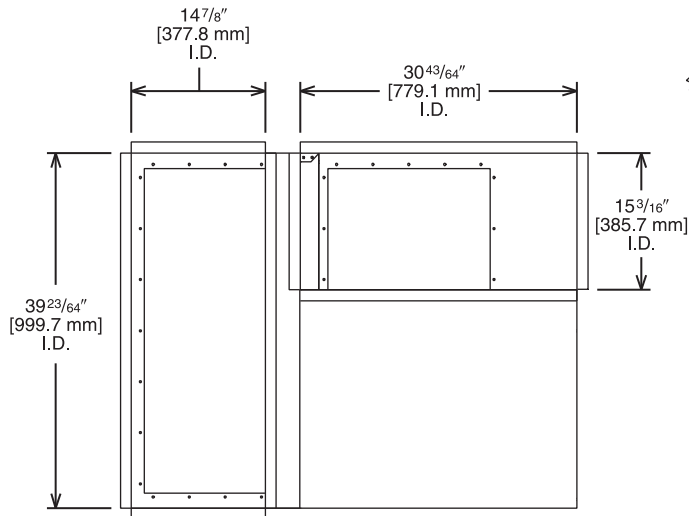
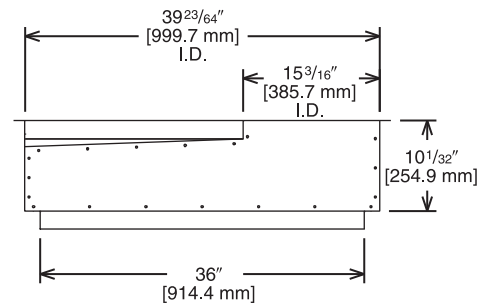
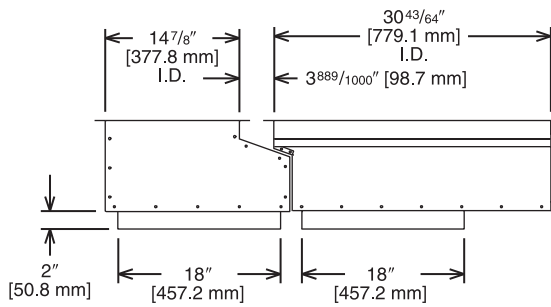


Illustration
ADS-106193-03



[] Designates Metric Conversions

DOWNFLOW TRANSITION DRAWINGS

RXMC-DD01

- Used with AEF2000 or AED2000 Concentric Diffusers.

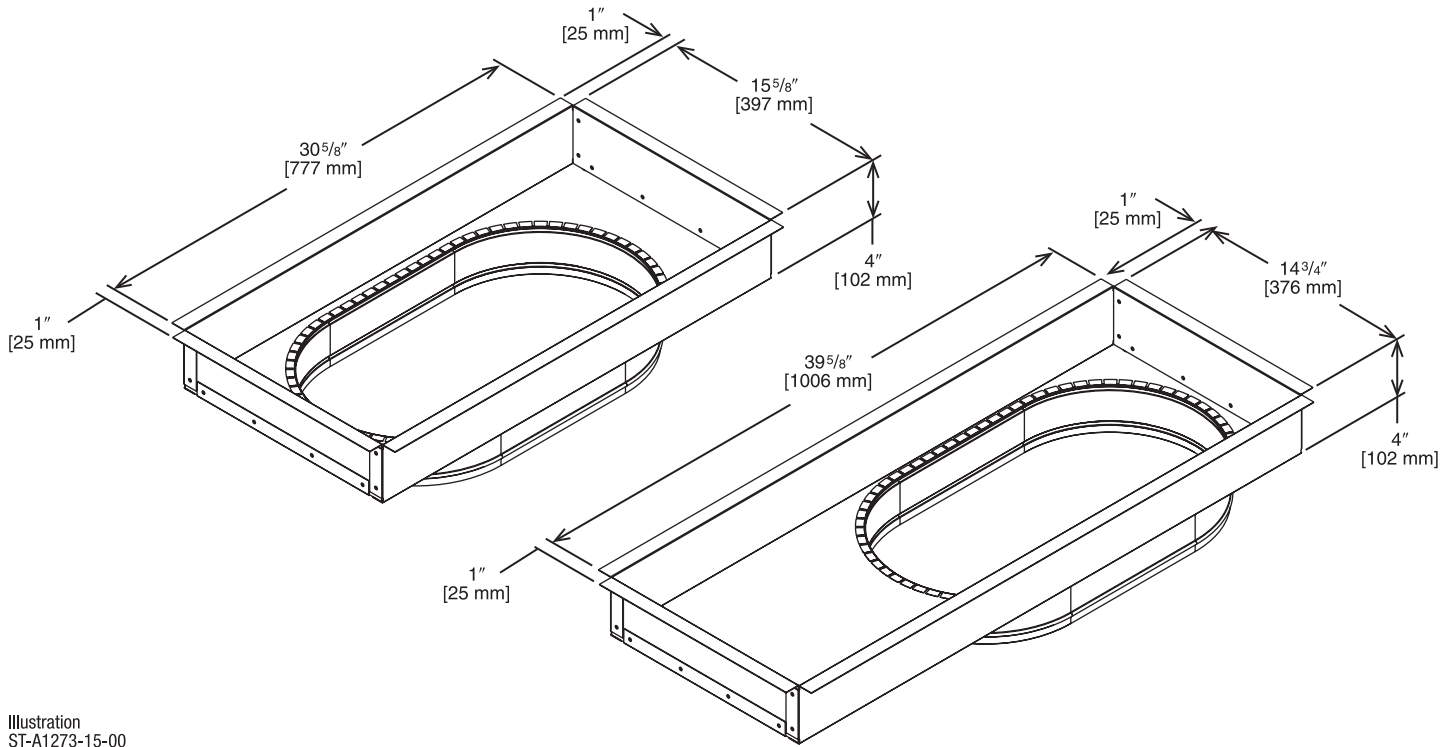


Illustration
ST-A1273-15-00

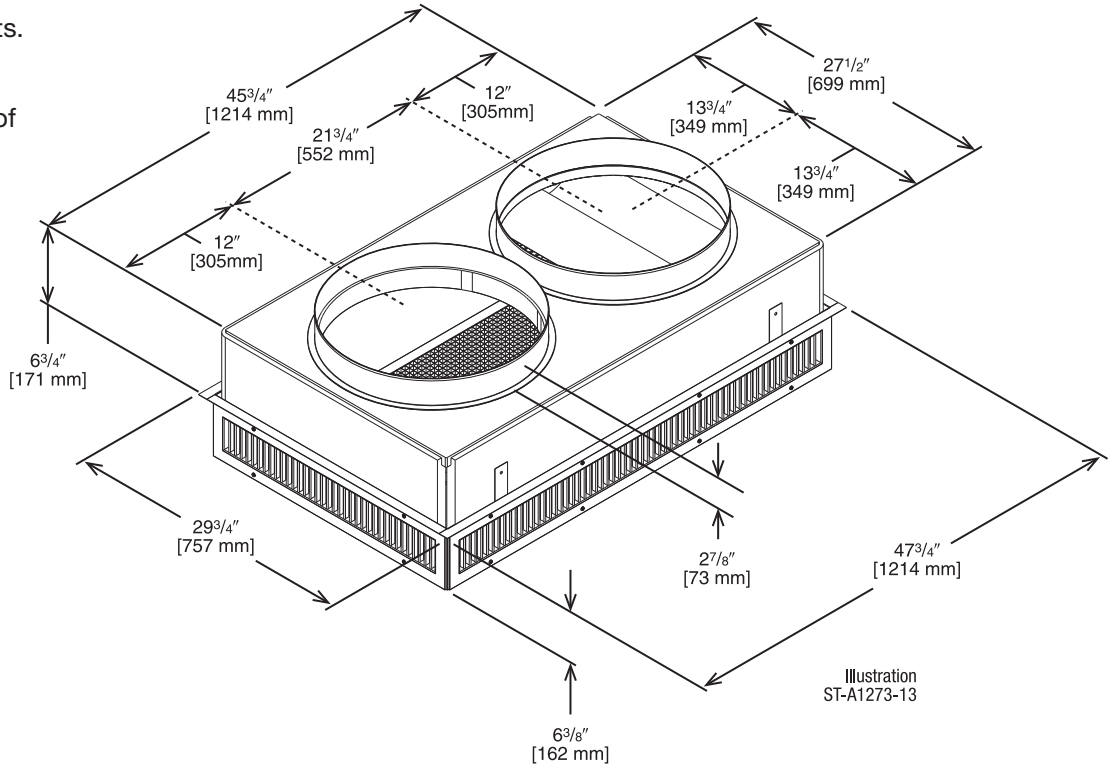
[] Designates Metric Conversions

CONCENTRIC DIFFUSER—STEP DOWN

RXRN-AED2000 (7.5 & 8.5 Ton [26.4 & 29.9 kW] Models)

For Use With Downflow Transition (RXMC-DD01)
and 20" [508 mm] Round Supply and Return Ducts

- All aluminum diffuser with aluminum return air eggcrate.
- Built-in anti-sweat gasket.
- Molded fiberglass supports.
- Built-in hanging supports.
- Diffuser box constructed of sheetmetal insulated with 1" [25.4 mm] 1.5 lbs. [.7 kg] duct liner.



ENGINEERING DATA^①

Model No.	Flow Rate CFM [L/s]	Throw ^{② ③} Feet [m]	Neck Velocity fpm [m/s]	Noise Level ^④ (dbA)
RXRN-AED2000	2600 [1222]	22-39 [6.7-11.9]	669 [3.4]	32
	2800 [1316]	23-40 [7.1-12.2]	720 [3.7]	38
	3000 [1410]	25-42 [7.6-12.8]	772 [3.9]	40
	3200 [1504]	26-43 [7.9-13.1]	823 [4.2]	41
	3400 [1598]	27-45 [8.2-13.7]	874 [4.4]	42
	3600 [1692]	30-50 [9.1-15.2]	925.5 [4.7]	45
	3800 [1786]	32-53 [9.8-16.2]	976.8 [4.9]	48
	4000 [1880]	34-56 [10.4-17.1]	1028.1 [5.2]	50

- NOTES: ① All data is based on the air diffusion council guidelines.
 ② Throw data is based on 75 FPM Terminal Velocities using isothermal air.
 ③ Throw is based on diffuser blades being directed in a straight pattern.
 ④ Actual noise levels may vary due to duct design and do not include transmitted unit noise.
 Adequate duct attenuation must be provided to reduce sound output from the unit.

[] Designates Metric Conversions

CONCENTRIC DIFFUSER—STEP DOWN 15" x 34" [381 x 836 mm]

RXRN-AED3415 (8.5 & 10 Ton [29.9 kW & 35.2] Models)

For Use With Downflow Transition (RXMC-DD02)
and 15" x 34" [381 x 836 mm]
Supply and Return Ducts

- All aluminum diffuser with aluminum return air eggcrate.
- Built-in anti-sweat gasket.
- Molded fiberglass supports.
- Built-in hanging supports.
- Diffuser box constructed of sheetmetal insulated with 1" [25.4 mm] 1.5 lbs. [.7 kg] duct liner.
- Double deflection diffuser with the blades secured by spring steel.

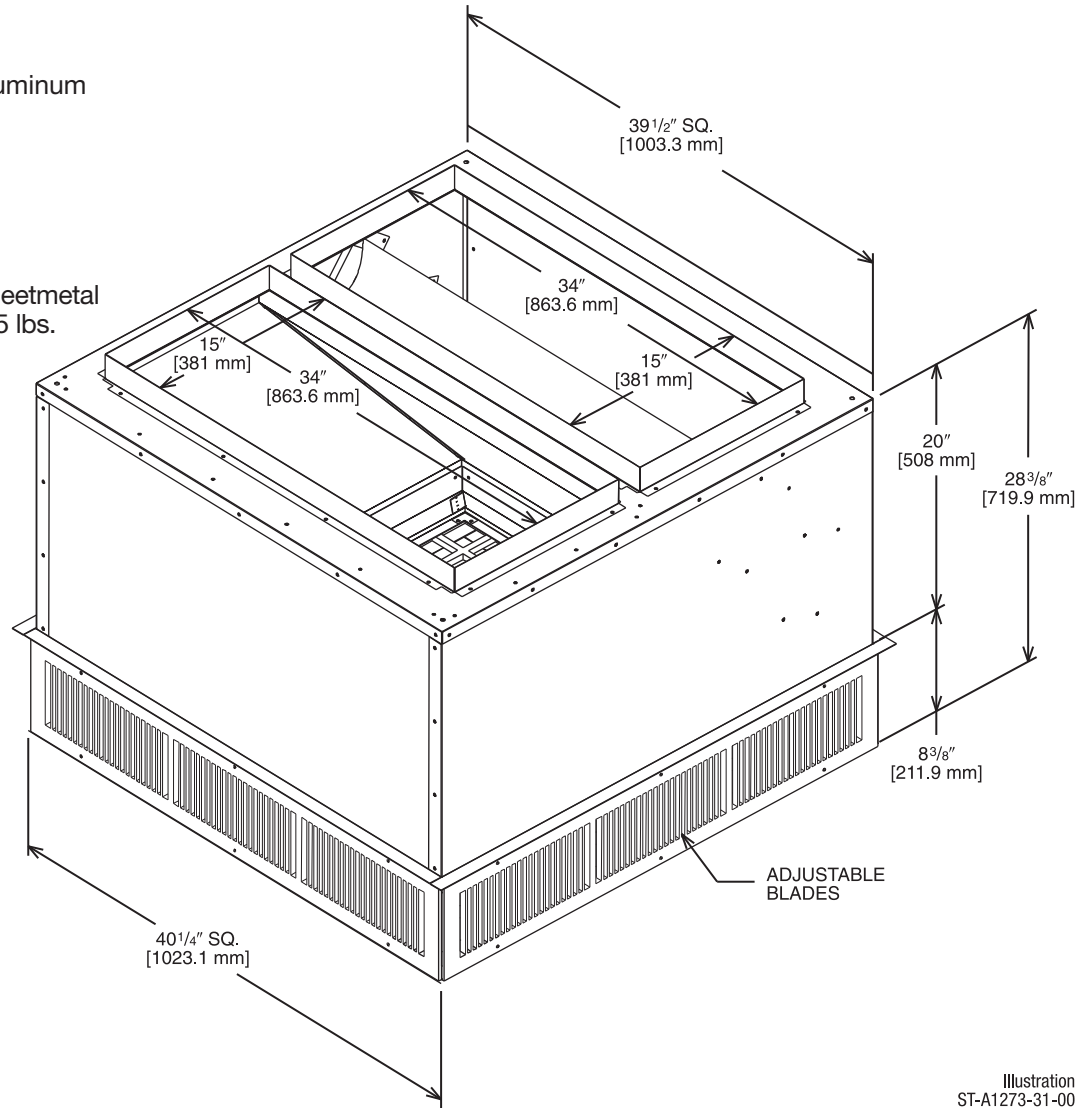


Illustration
ST-A1273-31-00

ENGINEERING DATA^①

Model No.	Flow Rate CFM [L/s]	Throw ^{② ③} Feet [m]	Neck Velocity fpm [m/s]	Noise Level ^④ (dba)
RXRN-AED3415	3600 [1692]	26-53 [7.9-16.2]	851 [4.3]	27
	3800 [1786]	27-55 [8.2-16.8]	898 [4.5]	29
	4000 [1880]	29-58 [8.8-17.7]	946 [4.8]	30
	4200 [1974]	31-61 [9.4-18.6]	993 [5.1]	32
	4400 [2068]	32-64 [9.8-19.5]	1040 [5.3]	33
	4600 [2162]	34-66 [10.4-20.1]	1087.5 [5.5]	35

NOTES: ① All data is based on the air diffusion council guidelines.

② Throw data is based on 75 FPM Terminal Velocities using isothermal air.

③ Throw is based on diffuser blades being directed in a straight pattern.

④ Actual noise levels may vary due to duct design and do not include transmitted unit noise. Adequate duct attenuation must be provided to reduce sound output from the unit.

[] Designates Metric Conversions

CONCENTRIC DIFFUSER—STEP DOWN 18" x 36" [457 x 914 mm]

RXRN-AED3618 (12.5 & 15 Ton [44.0 & 52.8 kW] Models)

For Use With Downflow Transition (RXMC-DD03)
and 18" x 36" [457 x 914 mm]
Supply and Return Ducts

- All aluminum diffuser with aluminum return air eggcrate.
- Built-in anti-sweat gasket.
- Molded fiberglass supports.
- Built-in hanging supports.
- Diffuser box constructed of sheetmetal insulated with 1" [25.4 mm] 1.5 lbs. [.7 kg] duct liner.
- Double deflection diffuser with the blades secured by spring steel.

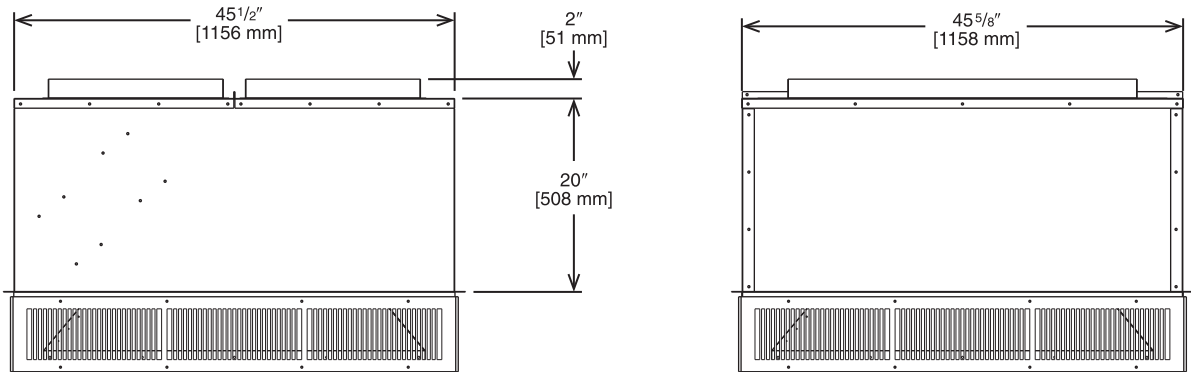
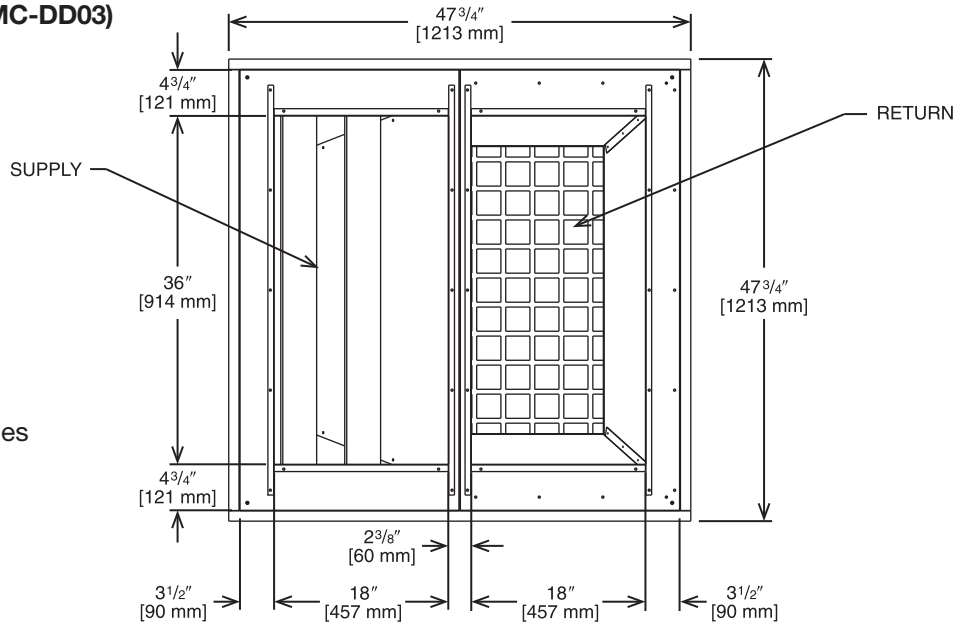


Illustration
ST-A1273-11-00

ENGINEERING DATA^①

Model No.	Flow Rate CFM [L/s]	Throw ^{② ③} Feet [m]	Neck Velocity fpm [m/s]	Noise Level ^④ (dbA)
RXRN-AED3618	4400 [2068]	29-55 [8.8-16.8]	841 [4.3]	26
	4600 [2162]	31-57 [9.4-17.4]	875 [4.4]	28
	4800 [2256]	32-60 [9.8-18.3]	915 [4.6]	29
	5000 [2350]	33-62 [10.1-18.9]	951 [4.8]	30
	5200 [2444]	34-65 [10.4-19.8]	988 [5.1]	31
	5400 [2538]	36-67 [10.9-20.4]	1025 [5.2]	32

NOTES: ① All data is based on the air diffusion council guidelines.

② Throw data is based on 75 FPM Terminal Velocities using isothermal air.

③ Throw is based on diffuser blades being directed in a straight pattern.

④ Actual noise levels may vary due to duct design and do not include transmitted unit noise.

Adequate duct attenuation must be provided to reduce sound output from the unit.

[] Designates Metric Conversions

FLUSH MOUNT CONCENTRIC DIFFUSER—FLUSH

RXRX-AEF2000 (7.5 & 8.5 Ton [26.4 & 29.9 kW] Models)

For Use With Downflow Transition (RXMC-DD01)
20" [508 mm] Round Supply and Return Ducts

- All aluminum diffuser with aluminum return air eggcrate.
- Built-in anti-sweat gasket.
- Molded fiberglass supports.
- Built-in hanging supports.
- Diffuser box constructed of sheetmetal insulated with 1" [25.4 mm] 1.5 lbs. [.7 kg] duct liner.

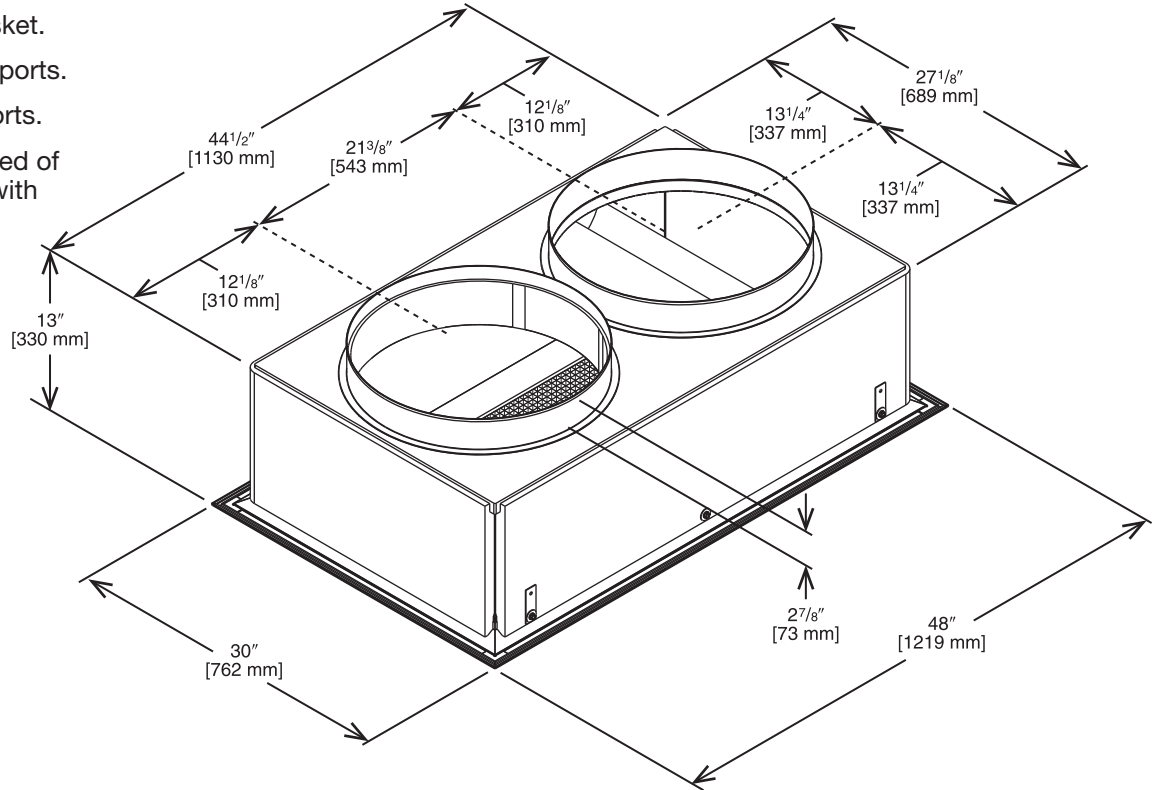


Illustration
ST-A1273-14-00

ENGINEERING DATA^①

Model No.	Flow Rate CFM [L/s]	Throw ^{② ③} Feet [m]	Neck Velocity fpm [m/s]	Noise Level ^④ (dba)
RXRN-AEF2000	2600 [1222]	17-24 [5.2-7.3]	663 [3.4]	30
	2800 [1316]	18-28 [5.5-8.5]	714 [3.6]	35
	3000 [1410]	20-30 [6.1-9.1]	765 [3.9]	35
	3200 [1504]	22-33 [6.7-10.1]	816 [4.1]	40
	3400 [1598]	23-37 [7-11.3]	867 [4.4]	40
	3600 [1692]	25-38 [7.6-11.6]	918 [4.7]	43
	3800 [1786]	26-39 [7.9-11.9]	969 [4.9]	45
	4000 [1880]	27-40 [8.2-12.2]	1020 [5.2]	48

NOTES: ① All data is based on the air diffusion council guidelines.

② Throw data is based on 75 FPM Terminal Velocities using isothermal air.

③ Throw is based on diffuser blades being directed in a straight pattern.

④ Actual noise levels may vary due to duct design and do not include transmitted unit noise. Adequate duct attenuation must be provided to reduce sound output from the unit.

[] Designates Metric Conversions

CONCENTRIC DIFFUSER—FLUSH 18" x 36" [457 x 914 mm]

RXRN-AEF3415 (8.5 & 10 Ton [29.9 & 35.2] Models)

For Use With Downflow Transition (RXMC-DD02)
18" x 36" [457 x 914 mm]
Supply and Return Ducts

- All aluminum diffuser with aluminum return air eggcrate.
- Built-in anti-sweat gasket.
- Molded fiberglass supports.
- Built-in hanging supports.
- Diffuser box constructed of sheetmetal insulated with 1" [25.4 mm] 1.5 lbs. [.7 kg] duct liner.

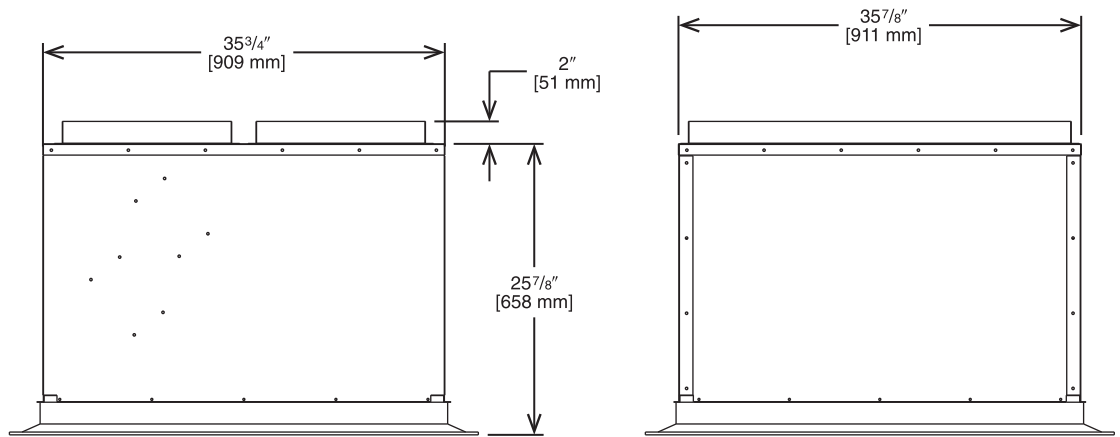
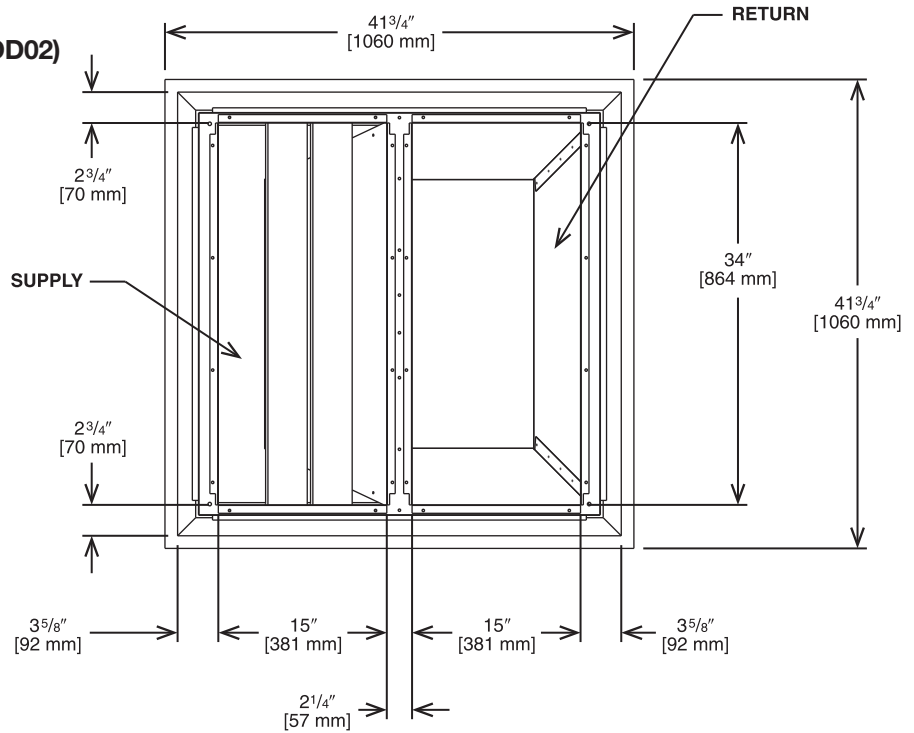


Illustration
ST-A1273-07-00

ENGINEERING DATA^①

Model No.	Flow Rate CFM [L/s]	Throw ^{② ③} Feet [m]	Neck Velocity fpm [m/s]	Noise Level ^④ (dbA)
RXRN-AEF3415	3600 [1692]	14-34 [4.3-10.4]	844 [4.3]	27
	3800 [1786]	15-36 [4.6-11.1]	891 [4.5]	29
	4000 [1880]	16-37 [4.9-11.3]	938 [4.8]	30
	4200 [1974]	17-39 [5.2-11.9]	985 [5.1]	32
	4400 [2068]	18-41 [5.5-12.5]	1032 [5.2]	33
	4600 [2162]	19-43 [5.8-13.1]	1079 [5.5]	35
	4800 [2256]	20-45 [6.1-13.7]	1126 [5.7]	36

- NOTES: ① All data is based on the air diffusion council guidelines.
 ② Throw data is based on 75 FPM Terminal Velocities using isothermal air.
 ③ Throw is based on diffuser blades being directed in a straight pattern.
 ④ Actual noise levels may vary due to duct design and do not include transmitted unit noise.
 Adequate duct attenuation must be provided to reduce sound output from the unit.

[] Designates Metric Conversions

CONCENTRIC DIFFUSER – FLUSH 18" x 36" [457 x 914 mm]

RXRN-AEF3618 (12.5 & 15 Ton [44.0 & 52.8 kW] Models)

For Use With Downflow Transition (RXMC-DD03)

18" x 36" [457 x 914 mm]

Supply and Return Ducts

- All aluminum diffuser with aluminum return air eggcrate.
- Built-in anti-sweat gasket.
- Molded fiberglass supports.
- Built-in hanging supports.
- Diffuser box constructed of sheetmetal insulated with 1" [25.4 mm] 1.5 lbs. [.7 kg] duct liner.

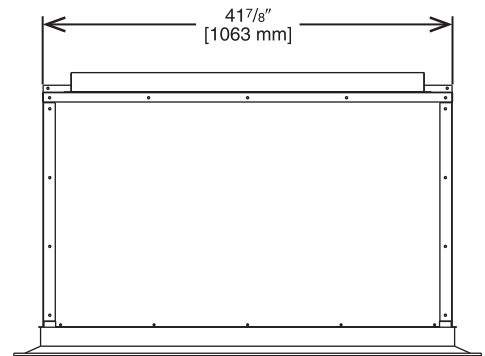
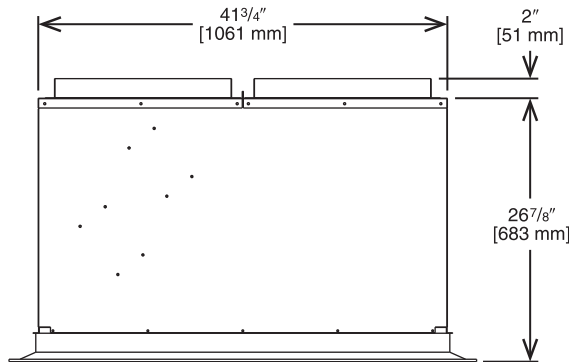
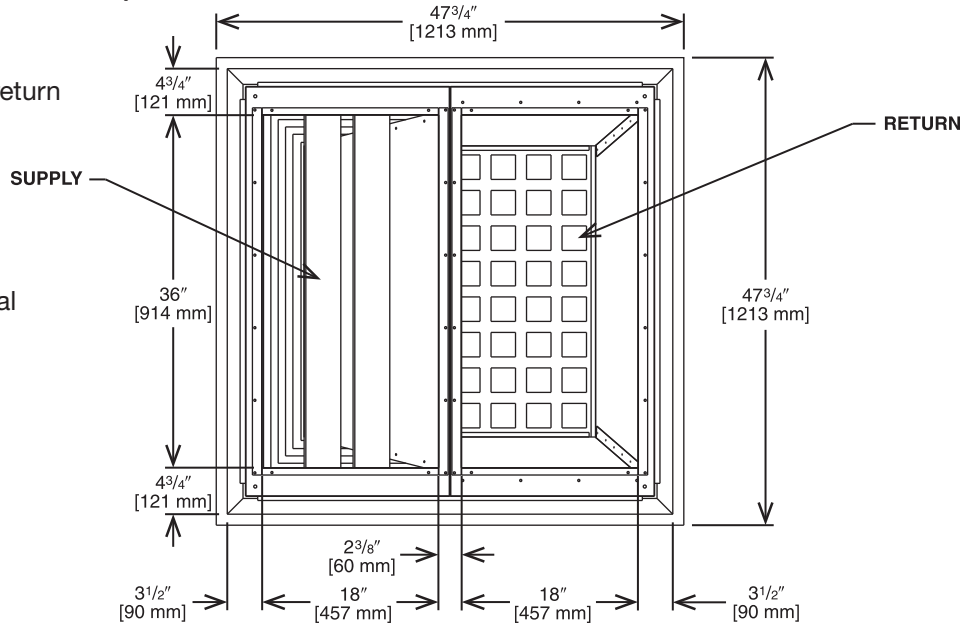


Illustration
ST-A1273-12-00

ENGINEERING DATA^①

Model No.	Flow Rate CFM [L/s]	Throw ^{② ③} Feet [m]	Neck Velocity fpm [m/s]	Noise Level ^④ (dba)
RXRN-AEF3618	4400 [2068]	13-28 [4.1-8.5]	922 [47]	35
	4600 [2162]	14-30 [4.3-9.1]	962 [4.9]	37
	4800 [2256]	15-31 [4.6-9.4]	1002 [5.1]	39
	5000 [2350]	16-32 [4.9-9.8]	1043 [5.3]	40
	5200 [2444]	17-33 [5.2-10.1]	1083 [5.5]	42
	5400 [2538]	18-35 [5.5-10.7]	1123 [5.7]	43

NOTES: ① All data is based on the air diffusion council guidelines.

② Throw data is based on 75 FPM Terminal Velocities using isothermal air.

③ Throw is based on diffuser blades being directed in a straight pattern.

④ Actual noise levels may vary due to duct design and do not include transmitted unit noise. Adequate duct attenuation must be provided to reduce sound output from the unit.

[] Designates Metric Conversions

Guide Specifications RGED – 090 - 150

You may copy this document directly into your building specification. This specification is written to comply with the 2016 version of the “master format” as published by the Construction Specification Institute. www.csinet.org.

GAS HEAT PACKAGED ROOFTOP

HVAC Guide Specifications

Size Range: 7¹/₂ to 12¹/₂ Nominal Tons

Section Description

23 06 80 Schedules for Decentralized HVAC Equipment

23 06 80.13 Decentralized Unitary HVAC Equipment Schedule

23 06 80.13.A. Rooftop unit schedule

1. Schedule is per the project specification requirements.

23 07 16 HVAC Equipment Insulation

23 07 16.00.A. Evaporator fan compartment:

1. Interior cabinet surfaces shall be insulated with a minimum 1/2-in. thick, minimum 1.6 LB density, flexible fiberglass insulation bonded with foil face on the air side.
2. Insulation and adhesive shall meet NFPA 90A requirements for flame spread and smoke generation.
3. Insulation shall also be mechanically fastened with welded pin and retainer washer.

23 07 16.00.B. Gas heat compartment:

1. Aluminum foil-faced fiberglass insulation shall be used.
2. Insulation and adhesive shall meet NFPA 90A requirements for flame spread and smoke generation.
3. Insulation shall also be mechanically fastened with welded pin and retainer washer.

23 09 13 Instrumentation and Control Devices for HVAC

23 09 13.23 Sensors and Transmitters:

23 09 13.23.A. Thermostats

1. Thermostat must
 - a. energize both “W” and “G” when calling for heat.
 - b. have capability to energize 2 different stages of cooling, and 2 different stages of heating.
 - c. must include capability for occupancy scheduling.

23 09 33 Electric and Electronic Control System for HVAC

23 09 33.00.A. General:

1. Shall be complete with self-contained low-voltage control circuit protected by a fuse on the 24-V transformer side (090-150 units have a resettable circuit breaker).
2. Shall utilize color-coded wiring.
3. Unit shall include self-contained low-voltage control circuit protected by a fuse on the 24-V transformer side with a resettable circuit breaker.
4. The heat exchanger shall be controlled by an integrated furnace controller (IFC) microprocessor. See heat exchanger section of this specification.
5. Unit shall include a minimum of one 8-pin screw terminal connection board for connection of control wiring.

23 09 33.00.B. Safeties:

1. Compressor over-temperature, over current.
2. Low-pressure switch.
 - a. Units shall have low pressure, loss of charge automatic reset device that will shut off compressor when tripped.
3. High-pressure switch.
 - a. Unit shall be equipped with high pressure switch manual reset device that will shut off compressor when tripped.
4. Automatic reset, motor thermal overload protector.
5. Heating section shall be provided with the following minimum protections:
 - a. High-temperature limit switches.
 - b. Induced draft motor pressure switch.
 - c. Flame rollout switch.
 - d. Flame proving controls.

23 09 93 Sequence of Operations for HVAC Controls**23 09 93.00 INSERT SEQUENCE OF OPERATION****23 41 13 Panel Air Filters**

23 41 13.00.A. Standard filter section shall

1. Shall consist of factory-installed, low velocity, throwaway 2-in. thick fiberglass filters of commercially available sizes.
2. Unit shall use only one filter size. Multiple sizes are not acceptable.
3. Filter face velocity shall not exceed 365 fpm at nominal airflows.
4. Filters shall be accessible through an access panel with “no-tool” removal as described in the unit cabinet section of the specification (23 81 19.13.H).

23 81 19 Self-Contained Air Conditioners**23 81 19.13 Small Capacity Self-Contained Air Conditioners**

23 81 19.13.A. General

1. Outdoor, rooftop mounted, electrically controlled, heating and cooling unit utilizing a(n) hermetic scroll compressor(s) for cooling duty and gas combustion for heating duty.
2. Factory assembled, single-piece heating and cooling rooftop unit. Contained within the unit enclosure shall be all factory wiring, piping, controls, and special features required prior to field start-up.
3. Unit shall use environmentally safe, R410A refrigerant.
4. Unit shall be installed in accordance with the manufacturer’s instructions.
5. Unit must be selected and installed in compliance with local, state, and federal codes.

23 81 19.13.B. Quality Assurance

1. Unit meets ASHRAE 90.1-2007 and 2013 minimum efficiency requirements.
2. 3 phase units are Energy Star qualified.
3. Unit shall be rated in accordance with AHRI Standards 340/360.
4. Unit shall be designed to conform to ASHRAE 15.
5. Unit shall be UL-tested and certified in accordance with ANSI Z21.47 Standards and UL-listed and certified under Canadian standards as a total package for safety requirements.
6. Insulation and adhesive shall meet NFPA 90A requirements for flame spread and smoke generation.
7. Unit casing shall be capable of withstanding 1000-hour salt spray exposure per ASTM B117 (scribed specimen).
8. Unit shall be designed in accordance with ISO 9001:2015, and shall be manufactured in a facility registered by ISO 9001:2015.
9. Roof curb shall be designed to conform to NRCA Standards.
10. Unit shall be subjected to a completely automated run test on the assembly line. The data for each unit will be stored at the factory, and must be available upon request.
11. Unit shall be designed in accordance with UL Standard 1995, Fifth Ed. including tested to withstand rain.
12. Unit shall be constructed to prevent intrusion of snow and tested to prevent snow intrusion into the control box up to 40 mph.

23 81 19.13.C. Delivery, Storage, and Handling

1. Unit shall be stored and handled per manufacturer’s recommendations.
2. Lifted by crane requires either shipping top panel or spreader bars.
3. Unit shall only be stored or positioned in the upright position.

23 81 19.13.E. Project Conditions

1. As specified in the contract.

23 81 19.13.F. Operating Characteristics

1. Unit shall be capable of starting and running at 115°F (46°C) ambient outdoor temperature, meeting maximum load criteria of AHRI Standard 210/240 or 360 at ± 10% voltage.
2. Compressor with standard controls shall be capable of operation down to 50°F (10°C), ambient outdoor temperatures. Low ambient accessory kit is necessary if mechanically cooling at ambient temperatures to 0°F (-17.7°C).
3. Unit shall discharge supply air vertically or horizontally as shown on contract drawings.
4. Unit shall be factory configured for vertical supply & return configurations.
5. Unit shall be field convertible from vertical to horizontal configuration.
6. Unit shall be capable of mixed operation: vertical supply with horizontal return or horizontal supply with vertical return.

23 81 19.13.G. Electrical Requirements

1. Main power supply voltage, phase, and frequency must match those required by the manufacturer.

23 81 19.13.H. Unit Cabinet

1. Unit cabinet shall be constructed of galvanized steel.
2. Unit cabinet exterior paint shall be: pre-painted steel.
3. Evaporator fan compartment interior cabinet insulation shall conform to AHRI Standards 210 or 360 minimum exterior sweat criteria. Interior surfaces shall be insulated with a minimum 1/2-in. thick, 1.6 lb density, flexible fiberglass insulation, foil faced on the air side. Aluminum foil-faced fiberglass insulation shall be used in the gas heat compartment.
4. Base of unit shall have a location for thru-the-base gas and electrical connections standard.
5. Base Rail
 - a. Unit shall have base rails on a minimum of 4 sides.
 - b. Holes shall be provided in the base rails for rigging shackles to facilitate maneuvering and overhead rigging.
 - c. Holes shall be provided in the base rail for moving the rooftop for fork truck.
 - d. Base rail shall be a minimum of 14 gauge thickness.
6. Condensate pan and connections:
 - a. Shall be a sloped condensate drain pan made of a non-corrosive material and be removable for cleaning.
 - b. Shall comply with ASHRAE Standard 62.
 - c. Shall use a 3/4" NPT drain connection, possible either through the bottom or side of the drain pan. Connection shall be made per manufacturer's recommendations.
 - d. Shall be able to be easily removed.
7. Top panel:
 - a. Shall be a single piece top panel over indoor section.
8. Gas Connections:
 - a. All gas piping connecting to unit gas valve shall enter the unit cabinet at a single location on side of unit (horizontal plane).
 - b. Thru-the-base capability
 - i. Standard unit shall have a thru-the-base gas-line location using a continuous raised, flange around opening in the basepan.
 - ii. No basepan penetration, other than those authorized by the manufacturer, is permitted.
9. Electrical Connections
 - a. All unit power wiring shall enter unit cabinet a a single, factory-prepared, continuous raised flange opening in the basepan.
 - b. Thru-the-base capability
 - i. Standard unit shall have a thru-the-base electrical location(s) using a raised, continuous raised flange opening in the basepan.
 - ii. No basepan penetration, other than those authorized by the manufacturer, is permitted.
10. Component access panels (standard)
 - a. Cabinet panels shall be easily opened for servicing.
 - b. Panels covering control box, indoor fan, indoor fan motor, gas components (where applicable), and filters shall have hinges with 1/4 turn fasteners.
 - c. 1/4 fasteners shall be permanently attached.

23 81 19.13.I. Gas Heat

1. General
 - a. Heat exchanger shall be an induced draft design. Positive pressure heat exchanger designs shall not be allowed.
 - b. Shall incorporate a direct-spark ignition system and redundant main gas valve.
 - c. Heat exchanger design shall allow combustion process condensate to gravity drain; maintenance to drain the gas heat exchanger shall not be required.
 - d. Gas supply pressure at the inlet to the rooftop unit gas valve must match that required by the manufacturer.
2. The heat exchanger shall be controlled by an integrated furnace controller (IFC) microcompressor.
 - a. IFC board shall notify users of fault using two 7 segment displays.

3. Standard Heat Exchanger construction
 - a. Heat exchanger shall be of the tubular-section type constructed of a minimum of 20-gauge steel coated with a nominal 1.2 mil aluminum-silicone alloy for corrosion resistance.
 - b. Burners shall be of the in-shot type constructed of aluminum-coated steel.
 - c. Burners shall incorporate orifice for rated heat output up to 2,000 ft. (610m) elevation with a gas heating valve of 1050. Alternate orifices may be required depending on local gas heating valves and elevations.
 - d. Each heat exchanger tube shall contain tubulators for increased heating effectiveness.
4. Optional Stainless Steel Heat Exchanger construction
 - a. Use energy saving, direct-spark ignition system.
 - b. Use a redundant main gas valve.
 - c. Burners shall be of the in-shot type constructed of aluminum-coated steel.
 - d. All gas piping shall enter the unit cabinet at a single location on side of unit (horizontal plane).
 - e. The optional stainless steel heat exchanger shall be of the tubular-section type, constructed of a minimum of 20-gauge type 409 stainless steel.
 - f. Type 409 stainless steel shall be used in heat exchanger tubes.
 - g. Complete stainless steel heat exchanger allows for greater application flexibility.
5. Induced draft combustion motor and blower
 - a. Shall be a direct-drive, single inlet, forward-curved centrifugal type.
 - b. Shall be made from steel with a corrosion-resistant finish.
 - c. Shall be permanently lubricated sealed bearings.
 - d. Shall have inherent thermal overload protection.
 - e. Shall have an automatic reset feature.

23 81 19.13.J. Coils

1. Standard Aluminum/MicroChannel Coils:
 - a. Standard evaporator and condenser coils shall be aluminum.
 - b. Evaporator and condenser coils shall be leak tested to 150 psig, pressure tested to 400 psig, and qualified to UL 1995 burst test at 2,200 psi.

23 81 19.13.K. Refrigerant Components

1. Refrigerant circuit shall include the following control, safety, and maintenance features:
 - a. TXV metering system shall prevent mal-distribution of two-phase refrigerant.
 - b. Refrigerant filter drier.
 - c. Service gauge connections on suction and discharge lines.
 - d. External pressure gauge ports access shall be located in front exterior of cabinet.
2. Compressors
 - a. Unit shall use one fully hermetic, 2- stage scroll compressor for each independent refrigeration circuit.
 - b. Compressor motors shall be cooled by refrigerant gas passing through motor windings.
 - c. Compressors shall be internally protected from high discharge temperature conditions.
 - d. Compressors shall be protected from an over-temperature and over-ampereage conditions by an internal, motor overload device.
 - e. Compressor shall be factory mounted on rubber grommets.
 - f. Compressor motors shall have internal line break thermal and current overload protection.
 - g. Crankcase heaters shall not be required for normal operating range.
 - h. Compressor shall have molded electrical plug.

23 81 19.13.L. Filter Section

1. Filters access is specified in the unit cabinet section of this specification.
2. Filters shall be held in place by filter tray, facilitating easy removal and installation.
3. Shall consist of factory-installed, low velocity, throw-away 2-in. thick fiberglass filters.
4. Filter face velocity shall not exceed 320 fpm at nominal airflows.
5. Filters shall be standard, commercially available sizes.
6. Only one size filter per unit is allowed.

23 81 19.13.M. Evaporator Fan and Motor

1. Evaporator fan motor:
 - a. Shall have permanently lubricated bearings
 - b. Shall have inherent automatic-reset thermal overload protection.
 - c. Shall have a maximum continuous bhp rating for continuous duty operation; no safety factors above that rating shall be required.
2. Belt-driven Evaporator Fan:
 - a. Belt drive shall include an adjustable-pitch motor pulley.
 - b. Shall use sealed, permanently lubricated ball-bearing type.
 - c. Blower fan shall be double-inlet type with forward-curved blades.
 - d. Shall be constructed from steel with a corrosion resistant finish and dynamically balanced.

23 81 19.13.N. Condenser Fans and Motors

1. Condenser fan motors:
 - a. Shall be a totally enclosed motor.
 - b. Shall use permanently lubricated bearings.
 - c. Shall have inherent thermal overload protection with an automatic reset feature.
 - d. Shall use a shaft-down design. Shaft-up designs including those with “rain-slinger devices” shall not be allowed.
2. Condenser Fans shall:
 - a. Shall be a direct-driven propeller type fan
 - b. Shall have aluminum blades riveted to corrosion-resistant steel spiders and shall be dynamically balanced.

23 81 19.13.O. Special Features

1. Integrated Economizers:
 - a. Integrated, gear-driven parallel modulating blade design type capable of simultaneous economizer and compressor operation.
 - b. Independent modules for vertical or horizontal return configurations shall be available. Vertical return modules shall be available as a factory installed option.
 - c. Damper blades shall be galvanized steel with metal gears. Plastic or composite blades on intake or return shall not be acceptable.
 - d. Shall include all hardware and controls to provide free cooling with outdoor air when temperature and/or humidity are below setpoints.
 - e. Shall be equipped with gear driven dampers for both the outdoor ventilation air and the return air for positive air stream control.
 - f. Shall be equipped with low-leakage dampers, not to exceed 2% leakage at 1 in. wg pressure differential.
 - g. Shall be capable of introducing up to 100% outdoor air.
 - h. Shall be equipped with a barometric relief damper capable of relieving up to 100% return air.
 - i. Shall be designed to close damper(s) during loss-of-power situations with spring return built into motor.
 - j. Enthalpy sensor shall be provided as standard. Outdoor air sensor set point shall be adjustable and shall range from 40 to 100°F / 4 to 38°C. Additional sensor options shall be available as accessories.
 - k. The economizer controller shall also provide control of an accessory power exhaust unit function. Factory set at 70%, with a range of 0% to 100%.
 - l. The economizer shall maintain minimum airflow into the building during occupied period and provide design ventilation rate for full occupancy. A remote potentiometer may be used to override the damper set point.
 - m. Dampers shall be completely closed when the unit is in the unoccupied mode.
 - n. Economizer controller shall accept a 2-10Vdc CO2 sensor input for IAQ/DCV control. In this mode, dampers shall modulate the outdoor-air damper to provide ventilation based on the sensor input.
 - o. Actuator shall be direct coupled to economizer gear. No linkage arms or control rods shall be acceptable.
 - p. Economizer controller shall provide indications when in free cooling mode, in the DCV mode, or the exhaust fan contact is closed.
 - q. Economizer wire harness will have provision for smoke detector.
2. Manual damper
 - a. Manual damper package shall consist of damper, air inlet screen, and rain hood which can be preset to admit up to 50% outdoor air for year round ventilation.

3. Liquid Propane (LP) Conversion Kit (sold separately)
 - a. Kit shall contain all the necessary hardware and instructions to convert a standard natural gas unit for use with liquefied propane, up to 2000 ft (610m) elevation.
4. Condenser Coil Hail Guard Assembly
 - a. Shall protect against damage from hail.
 - b. Shall be louvered style.
5. Unit-Mounted, Non-Fused Disconnect Switch:
 - a. Switch shall be factory-installed, internally mounted.
 - b. National Electric Code (NEC) and UL approved non-fused switch shall provide unit power shutoff.
 - c. Shall be accessible from outside the unit.
 - d. Shall provide local shutdown and lockout capability.
6. Convenience Outlet:
 - a. Powered convenience outlet.
 - b. Outlet shall be powered from main line power to the rooftop unit.
 - c. Outlet shall be powered from line side or load side of disconnect by installing contractor, as required by code. If outlet is powered from load side of disconnect, unit electrical ratings shall be UL certified and rated for additional outlet amperage.
 - d. Outlet shall be factory-installed and internally mounted with easily accessible 115-v female receptacle.
 - e. Outlet shall include 15 amp GFI receptacles with independent fuse protection.
 - f. Voltage required to operate convenience outlet shall be provided by a factory-installed step-down transformer.
 - g. Outlet shall be accessible from outside the unit.
 - h. Non-Powered convenience outlet.
 - i. Outlet shall be powered from a separate 115-120v power source.
 - j. A transformer shall not be included.
 - k. Outlet shall be field-installed and internally mounted with easily accessible 115-v female receptacle.
 - l. Outlet shall include 15 amp GFI receptacle with independent fuse protection.
 - m. Outlet shall be accessible from outside the unit.
7. Flue Hood:
 - a. Flue discharge deflector shall direct unit exhaust vertically instead of horizontally.
8. Propeller Power Exhaust:
 - a. Power exhaust shall be used in conjunction with an integrated economizer.
 - b. Independent modules for vertical or horizontal return configurations shall be available.
 - c. Horizontal power exhaust is shall be mounted in return ductwork.
 - d. Power exhaust shall be controlled by economizer controller operation. Exhaust fans shall be energized when dampers open past the 0-100% adjustable setpoint on the economizer control.
9. Roof Curbs (Vertical):
 - a. Formed galvanized steel with wood nailer strip and shall be capable of supporting entire unit weight.
 - b. Permits installation and securing of ductwork to curb prior to mounting unit on the curb.
10. Return Air Enthalpy Sensor:
 - a. The return air enthalpy sensor shall be used in conjunction with an outdoor air enthalpy sensor to provide differential enthalpy control.
11. Indoor Air Quality (CO₂) Sensor:
 - a. Shall be able to provide demand ventilation indoor air quality (IAQ) control.
 - b. The IAQ sensor shall be available in duct mount, wall mount, or wall mount with LED display. The set point shall have adjustment capability.

12. Smoke detectors:
 - a. Shall be a Four-Wire Controller and Detector.
 - b. Shall be environmental compensated with differential sensing for reliable, stable, and drift-free sensitivity.
 - c. Shall use magnet-activated test/reset sensor switches.
 - d. Shall have tool-less connection terminal access.
 - e. Shall have a recessed momentary switch for testing and resetting the detector.
 - f. Controller shall include:
 - i. One set of normally open alarm initiation contacts for connection to an initiating device circuit on a fire alarm control panel
 - ii. Two Form-C auxiliary alarm relays for interface with rooftop unit or other equipment
 - iii. One Form-C supervision (trouble) relay to control the operation of the Trouble LED on a remote test/reset station
 - iv. Capable of direct connection to two individual detector modules.
 - v. Can be wired to up to 14 other duct smoke detectors for multiple fan shutdown applications.
13. Barometric relief
 - a. Shall include damper, seals, hard-ware, and hoods to relieve excess building pressure.
 - b. Damper shall gravity-close upon shutdown.
14. Time Guard
 - a. Shall prevent compressor short cycling by providing a 5-minute delay (± 2 minutes) before restarting a compressor after shutdown for any reason.
 - b. One device shall be required per compressor.

BEFORE PURCHASING THIS APPLIANCE, READ IMPORTANT ENERGY COST AND EFFICIENCY INFORMATION AVAILABLE FROM YOUR RETAILER.

GENERAL TERMS OF LIMITED WARRANTY*

Sure Comfort® will furnish a replacement for any part of this product which fails in normal use and service within the applicable periods stated, in accordance with the terms of the limited warranty.

*For complete details of the Limited and Conditional Warranties, including applicable terms and conditions, contact your local contractor or the Manufacturer for a copy of the product warranty certificate.

- Compressor**
3 Phase, Commercial ApplicationsFive (5) Years
- Aluminized Heat Exchanger**
3 Phase, Commercial ApplicationsTen (10) Years
- Stainless Steel Heat Exchanger**
3 Phase, Commercial ApplicationsTwenty (20) Years
- Parts**
3 Phase, Commercial ApplicationsOne (1) Year



Sure Comfort®
P.O. Box 17010, Fort Smith, AR 72917

Before proceeding with installation, refer to installation instructions packaged with each model, as well as complying with all Federal, State, Provincial, and Local codes, regulations, and practices.