



LIST PRICES

May 2022

INDEX

AIR COOLED CONDENSERS

MultiCon Air Cooled Condenser - RDS, RDD	-----	20
MultiCon Air Cooled Condenser - RAC, TD, VAC, VEQ, ACS, ACL	----	21
MultiCon Computer Room Air Cooled Condenser - CAC	-----	22

CONDENSING UNITS

Next-Gen MiniCon Air Cooled Condensing Units - RF*, RB*, RV*	--	22
MiniCon Air-Cooled Condensing Units - R*H, R*S, R*O, R*D	----	23
Next-Gen II Air Cooled Condensing Units - RF*, RB*	-----	23
"D" Style Air-Cooled Condensing Units - DC, DE, DS, DL	----	24
Russette Air-Cooled Condensing Units - RC, RE, RS	-----	24
Russcon Air-Cooled Condensing Units - H, L, M	-----	24
"V" Style Air-Cooled Condensing Units - VC, VL, VS	-----	24

FLUID COOLERS

MultiCon Air-Cooled Fluid Coolers - FVAC, FTD, FVAC	----	21-22
---	------	-------

MOTORS

Motor Cross-Reference Chart	-----	31
-----------------------------	-------	----

WALK-IN / WAREHOUSE EVAPORATORS

Next-Gen All-Temp - RLA, RLE, RLH, RLG	-----	3-4
EcoNet Enabled Unit Cooler Replacement Parts	-----	4
All-Temp Vintage C - AA*C, AE*C	-----	4
All-Temp ² B - AA*B, AE*B, AG*B, AH*B (Built after 10/1991)	----	5
All-Temp ² B - AA*B, AE*B, AG*B, AH*B (Built after 04/2004)	----	6
All-Temp ² - AA, AE, AG, AH	-----	6
All-Temp - AL	-----	7
All-TempB - AL*B	-----	7

WALK-IN / WAREHOUSE EVAPORATORS cont.

Ceiling-Temp - CTA, CTE	-----	8
Flow Temp - RWF models	-----	8
Flow-Temp - FL, FL*(E), FL*(G), FL*(H)	-----	9
Inter-Temp - ITA, ITE, ITG, ITH	-----	10-11
Ultra-Temp - U*U, U*L, U*M, UAH	-----	12-13
Surveillant Demand Defrost Controller replacement Pa-	-----	5

REACH - IN EVAPORATORS

ASL, ASLE, ASLA	-----	15
FLEX AIR - FT	-----	14
Hi-Temp - HI	-----	14
MINI TWIN AIR - MTW	-----	16
MULLION AIR - MDF, MUF	-----	16
SLIM AIR - SL, SLA, SLE	-----	16-17
T-TEMP - TT	-----	18
TWIN Temp - TW	-----	18
WALL-TEMP - WA	-----	19
WEDGE-TEMP - WE	-----	19

SYSTEMS

High Sierra (Low Temp)	-----	25-26
High Sierra (Med. Temp)	-----	27-29
APEX - XN, XT	-----	30

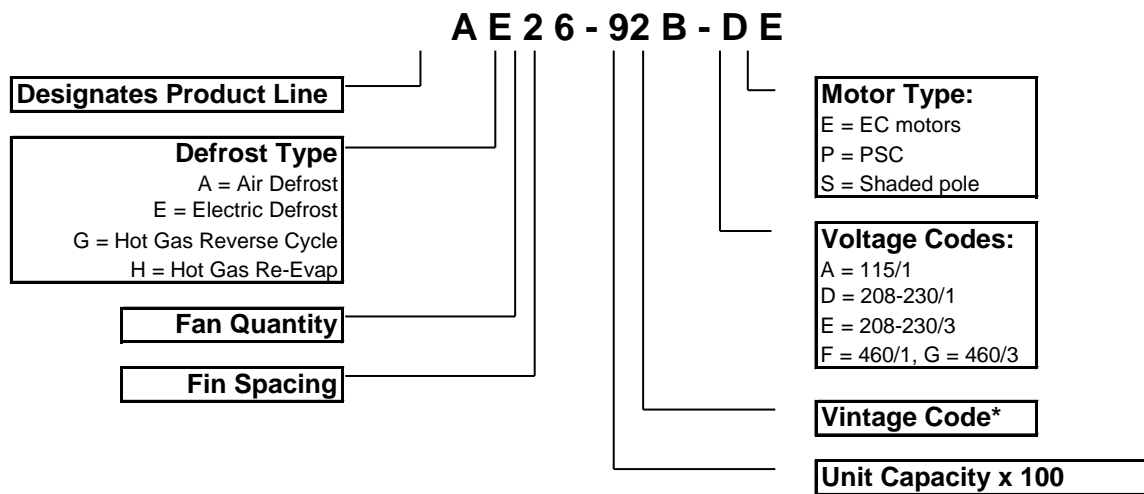
Due to ongoing product development, specification and prices are subject to change without notice.

ORDERING INFORMATION

1. All orders are subject to a \$30.00 net minimum billing.
2. All orders are subject to RUSSELL's Terms and Conditions of Sale.
3. All parts are shipped FOB point of shipping:
 - a.) Parts are typically shipped in cardboard cartons/unless size or weight will not permit.
 - b.) Any PARTS order that requires crating cannot be shipped by United Parcel Service.
 - c.) An example of parts that must be crated are metal components such as; venturi panels, drain pans, long defrost heaters.
 - d.) Defrost heaters are shipped straight whenever possible, all heaters are shipped with heater hooks.
 - e.) PSC motors are shipped less their capacitors, unless specifically ordered.
4. Warranty on all parts is 90 days from date of invoice.
5. When ordering replacement parts for a unit, if the exact part number is not available, it is very important that the complete model number, serial number, and voltage be provided. This information will help determine the exact vintage of the unit.

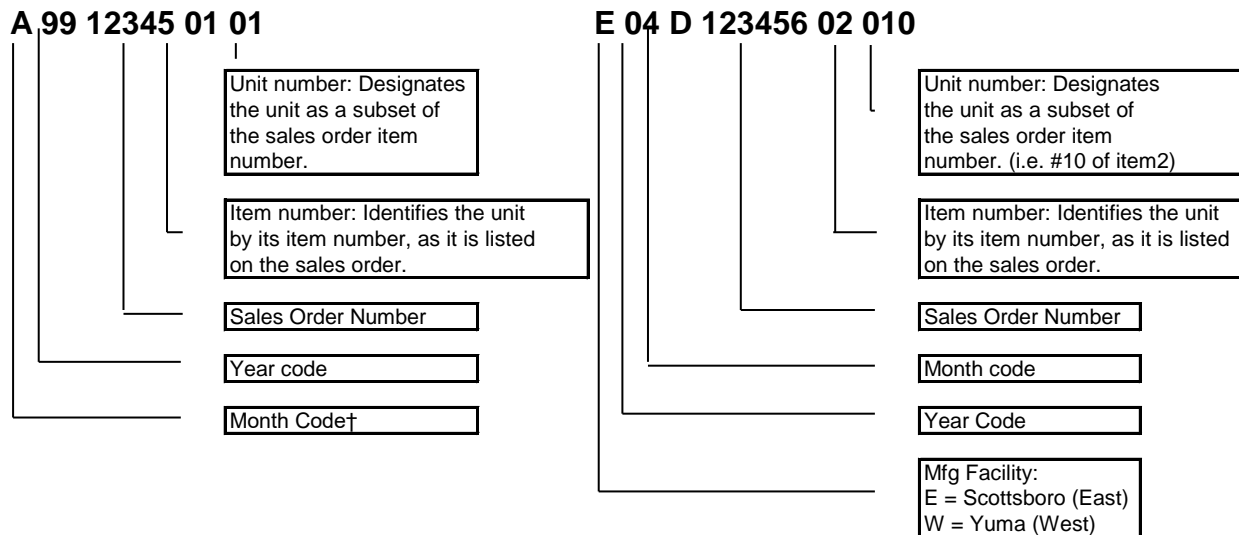
NOMENCLATURE

The following information can be derived by using the evaporator nomenclature; number of fans, fin spacing . The following example applies to Russell evaporators, with the exception of ASL and SL models which have their defrost designation in the suffix position.



* If an "X" is in the Vintage position, or at the beginning of the model number, the unit was built with a modification or special component that deviates from the standard description.

SERIAL NUMBERS



REPLACEMENT PARTS - LISTING BY PRODUCT MODEL NUMBER

NEXT-GEN ALL-TEMP - RLA, RLE, RLH, RLG

MODEL NUMBER	DESCRIPTION	PART NUMBER	LIST PRICE
ALL MODELS OR AS SPECIFIED IN DESCRIPTION	DRAIN PAN 1 FAN , AIR DEF	0852833601	\$592
	DRAIN PAN 2 FAN , AIR DEF	0852833701	\$663
	DRAIN PAN 3 FAN , AIR DEF	0852833801	\$734
	DRAIN PAN 4 FAN , AIR DEF	0852833901	\$1,019
	DRAIN PAN 5 FAN , AIR DEF	0852834001	\$1,121
	DRAIN PAN 6 FAN , AIR DEF	0852834101	\$1,206
	DRAIN PAN 1 FAN , ELECTRIC DEF	0852833602	\$592
	DRAIN PAN 2 FAN , ELECTRIC DEF	0852833702	\$663
	DRAIN PAN 3 FAN , ELECTRIC DEF	0852833802	\$734
	DRAIN PAN 4 FAN , ELECTRIC DEF	0852833902	\$1,019
	DRAIN PAN 5 FAN , ELECTRIC DEF	0852834002	\$1,121
	DRAIN PAN 6 FAN , ELECTRIC DEF	0852834102	\$1,206
	DRAIN FITTING AL	08248171	N/A
	DRAIN NUT	08321595	N/A
	DRAIN GASKET	08321596	N/A
	VENTURI 1 FAN	08528313	\$496
	VENTURI 2 FAN	08528314	\$534
	VENTURI 3 FAN	08528315	\$558
	VENTURI 4 FAN	08528316	\$592
	VENTURI 5 FAN	08528317	\$620
	VENTURI 6 FAN	08528318	\$646
	ENDCOVER DOOR	08528319	\$228
	DUAL SPEED / DUAL VOLTAGE MOTOR, EC MOTOR, 50 WATT, 1550 RPM, 115/230V, CCW ROTATION, (Air or Electric Defrost Models)	08216211	\$1,164
	DUAL SPEED MOTOR RELAY 120V	08218183	\$48
	DUAL SPEED MOTOR RELAY 240V	08218377	\$48
	1 speed MOTOR, ECM, 50 WATT, 1550 RPM, 115V, CCW (Hot Gas Defrost)	08216124	\$970
	1 speed MOTOR, ECM, 50 WATT, 1550 RPM, 230V/1, CCW (Hot Gas Defrost)	08216125	\$1,000
	2 speed MOTOR, ECM, 50 WATT, 1550 RPM, 115V, CCW (Hot Gas Defrost)	08216155	\$1,034
	2 speed MOTOR, ECM, 50 WATT, 1550 RPM, 230V/1, CCW (Hot Gas Defrost)	08216156	\$1,034
	MOTOR, PSC, 1/20 HP, 1550 RPM, 115V	08216074	\$437
	MOTOR, PSC, 1/20 HP, 1550 RPM, 230V/1	08216073	\$495
	MOTOR, PSC, 1/20 HP, 1550 RPM, 460V/1	08216135	\$647
	MOTOR MOUNT, LEG, TALL (EC MOTORS)	08321627	\$121
	MOTOR MOUNT, LEG, SHORT (PSC MOTORS)	08321628	\$114
	FAN BLADE, 12" DIAM., 24° PITCH, CW (For use with EC Motors)	08221175	\$113
	FAN BLADE, 12" DIAM., 24° PITCH, CW (For use with PSC Motors)	08221153	\$119
FAN GUARD, PLASTIC, HIGH THROW, BLACK, 12"	08321626	\$208	
DEFROST TERMINATION / FAN DELAY, SPST, O35/C55	08219328	\$203	

NEXT-GEN ALL-TEMP ELECTRIC DEFROST MODELS - RLE

RL6E035, RL6E042, RL6E049, RL4E027, RL4E032, RL4E038	COIL HEATER, 1F, 230V, 375 WATTS	08215200	\$109
	DRAIN PAN HEATER, 1F, 230V, 375 WATTS	08215206	\$109
	DRAIN PAN HEATER, 1F, 460V, 375 WATTS	08215212	\$101
RL6E066, RL6E077, RL6E090, RL6E105, RL4E051, RL4E064, RL4E080	COIL HEATER, 2F, 230V, 750 WATTS	08215201	\$129
	DRAIN PAN HEATER, 2F, 230V, 750 WATTS	08215207	\$124
	DRAIN PAN HEATER, 2F, 460V, 750 WATTS	08215213	\$145
RL6E121, RL4E094, RL6E142, RL4E110	COIL HEATER, 3F, 230V, 1100 WATTS	08215202	\$166
	DRAIN PAN HEATER, 3F, 230V, 1100 WATTS	08215208	\$173
	DRAIN PAN HEATER, 3F, 460V, 1100 WATTS	08215214	\$191
RL6E162, RL4E125, RL6E182, RL4E141	COIL HEATER, 4F, 230V 1475 WATTS	08215203	\$174
	DRAIN PAN HEATER, 4F, 230V, 1475 WATTS	08215209	\$175
	DRAIN PAN HEATER, 4F, 460V, 1475 WATTS	08215215	\$242
RL6E200, RL4E155	COIL HEATER, 5F, 230V 1850 WATTS	08215204	\$191
	DRAIN PAN HEATER, 5F, 230V, 1850 WATTS	08215210	\$180
	DRAIN PAN HEATER, 5F, 460V, 1850 WATTS	08215216	\$278
RL6E244, RL4E195, RL6E281, RL4E230	COIL HEATER, 6F, 230V 2225 WATTS	08215205	\$210
	DRAIN PAN HEATER, 6F, 230V, 2225 WATTS	08215211	\$195
	DRAIN PAN HEATER, 6F, 460V, 2225 WATTS	08215217	\$316

Note: The Heater voltage will line up with the voltage code in the model number. Each unit will get 3 heaters (2 on the face of the coil & 1 in the drain pan). 460V units include (2) 230V face heaters wired in series. The drain pan contains a single 460V heater.

NEXT-GEN ALL-TEMP HOT GAS DEFROST MODELS - RLG, RLH

MODEL NUMBER	DESCRIPTION	PART NUMBER	LIST PRICE
RL6G035, RL6G042, RLG049, RL4G027, RL4G032, RL4G038, RL6H035, RL6H042, RLH049, RL4H027, RL4H032, RL4H038	DRAIN PAN HEATER, 1F, 115V, 375 WATTS	08530726	\$113
	DRAIN PAN HEATER, 1F, 230V, 375 WATTS	08215206	\$109
	DRAIN PAN HEATER, 1F, 460V, 375 WATTS	08215212	\$101
RL6G066, RL6G077, RL6G090, RL6G105, RL4G051, RL4G064, RL4G080, RL6H066, RL6H077, RL6H090, RL6H105, RL4H051, RL4H064, RL4H080	DRAIN PAN HEATER, 2F, 115V, 750 WATTS	08530727	\$161
	DRAIN PAN HEATER, 2F, 230V, 750 WATTS	08215207	\$124
	DRAIN PAN HEATER, 2F, 460V, 750 WATTS	08215213	\$145
RL6G121, RL4G094, RL6G142, RL4G110, RL6H121, RL4H094, RL6H142, RL4H110	DRAIN PAN HEATER, 3F, 115V, 1100 WATTS	08530728	\$222
	DRAIN PAN HEATER, 3F, 230V, 1100 WATTS	08215208	\$173
	DRAIN PAN HEATER, 3F, 460V, 1100 WATTS	08215214	\$191
RL6G162, RL4G125, RL6G182, RL4G141, RL6H162, RL4H125, RL6H182, RL4H141	DRAIN PAN HEATER, 4F, 115V, 1475 WATTS	08530729	\$257
	DRAIN PAN HEATER, 4F, 230V, 1475 WATTS	08215209	\$175
	DRAIN PAN HEATER, 4F, 460V, 1475 WATTS	08215215	\$242
RL6G200, RL4G155, RL6H200, RL4H155	DRAIN PAN HEATER, 5F, 115V, 1850 WATTS	08530730	\$300
	DRAIN PAN HEATER, 5F, 230V, 1850 WATTS	08215210	\$180
	DRAIN PAN HEATER, 5F, 460V, 1850 WATTS	08215216	\$278
RL6G244, RL4G195, RL6G281, RL4G230, RL6H244, RL4H195, RL6H281, RL4H230	DRAIN PAN HEATER, 6F, 115V, 2225 WATTS	08530731	\$350
	DRAIN PAN HEATER, 6F, 230V, 2225 WATTS	08215211	\$195
	DRAIN PAN HEATER, 6F, 460V, 2225 WATTS	08215217	\$316

Note: The Heater voltage will line up with the voltage code in the model number. Each unit will get 3 heaters (2 on the face of the coil & 1 in the drain pan). 460V units include (2) 230V face heaters wired in series. The drain pan contains a single 460V heater.

ECONET ENABLED UNIT COOLER REPLACEMENT PARTS

MODEL NUMBER	DESCRIPTION	PART NUMBER	LIST PRICE
ECONET ENABLED UNIT COOLERS	SPACE/DRAIN TEMP SENSOR	08219623	\$99
	SUCTION TEMP SENSOR	08219637	\$225
	ECONET CONTROL BOARD	08219624	\$948
	96" CONTROLLER WIRE HARNESS	0821963502	\$428
	EVAP. TEMP SENSOR	08219636	\$65
	SUCTION PRESSURE SENSOR	08219621	\$166
	63" CONTROLLER WIRE HARNESS	0821963501	\$283
	126" CONTROLLER WIRE HARNESS	0821963503	\$322
	CONTROLLER POWER HARNESS	08219638	\$19

ALL-TEMP VINTAGE C - AA, AE

ALL MODELS	DRAIN PAN 1 FAN	08527139	\$588
	DRAIN PAN 2 FAN S.	08527379	\$663
	DRAIN PAN 2 FAN L.	08527140	\$663
	DRAIN PAN 3 FAN	08527141	\$734
	DRAIN PAN 4 FAN	08527142	\$1,019
	DRAIN PAN 5 FAN	08527143	\$1,118
	DRAIN PAN 6 FAN	08527144	\$1,206
	VENTURI 1 FAN	08527369	\$496
	VENTURI 2 FAN S.	08527381	\$534
	VENTURI 2 FAN L.	08527370	\$534
	VENTURI 3 FAN	08527371	\$557
	VENTURI 4 FAN	08527372	\$588
	VENTURI 5 FAN	08527373	\$620
	VENTURI 6 FAN	08527374	\$642
	ENDCOVER DOOR, LONG	08527353	\$227
	ENDCOVER DOOR, SHORT	08527354	\$227
	MOTOR MOUNT, LEG, TALL	08527378	\$75
	MOTOR MOUNT, LEG, SHORT	08527375	\$112
	DRAIN FITTING AL	08248171	N/A
	DRAIN NUT	08321595	N/A
	DRAIN GASKET	08321596	N/A
	FAN BLADE, 12" DIAM., 24° PITCH, CW (For use with EC Motors) (USE 08221153)	107943000	NLA
	FAN BLADE, 12" DIAM., 24° PITCH, CW (For use with EC Motors)	08221153	\$119
	FAN GUARD, PLASTIC, HIGH THROW, BLACK, 12"	205925001	\$208
	1 speed MOTOR, ECM, 50 WATT, 1550 RPM, 115 V, CCW	08216124	\$970
	1 speed MOTOR, ECM, 50 WATT, 1550 RPM, 230 V, CCW	08216125	\$1,000
	2 speed MOTOR, ECM, 50 WATT, 1550 RPM, 115 V, CCW	08216155	\$1,034
2 speed MOTOR, ECM, 50 WATT, 1550 RPM, 230 V, CCW	08216156	\$1,034	
Defrost Termination / Fan Delay ,SPST,O35/C55	08219328	\$203	

ALL-TEMP²B - MODELS AA-B, AE-B, AG-B, AH-B (BUILT AFTER OCTOBER 1,1991)

MODEL NUMBER	DESCRIPTION	PART NUMBER	LIST PRICE
ALL "AE" MODELS	DEFROST CONTROL, DEFROST TERMINATION (USE 08219273)	103079010	NLA
ALL "AE" MODELS	DEFROST CONTROL, DEFROST TERMINATION, (TIMER RESET) 2 WIRE	08219273	\$203
ALL "AE" MODELS	DEFROST CONTROL, FAN DELAY, 2 WIRE	103079009	\$203
1 - 6 FAN AE MODELS	HEATER SAFETY SWITCH, 2 WIRE	103079003	\$189
AE14-37B, AE16-36B, AE16-41B, AE16-46B	DEFROST HEATER, CORE, 500 WATTS, 26-1/4" LENGTH, 208-230/460 V.	206240006	\$574
	DEFROST HEATER, DRAIN PAN, 500 WATTS, 21" LENGTH, 208-230/460 V.	200172042	\$443
AE24-72B, AE24-85B, AE26-92B	DEFROST HEATER, CORE, 1000 WATTS, 44-1/4" LENGTH, 208-230/460 V.	206240008	\$493
	DEFROST HEATER, DRAIN PAN, 1000 WATTS, 39" LENGTH, 208-230/460 V.	200172044	\$459
AE26-60B, AE26-75B	DEFROST HEATER, CORE, 800 WATTS, 40-1/4" LENGTH, 208-230/460 V.	206240007	\$459
	DEFROST HEATER, DRAIN PAN, 800 WATTS, 35" LENGTH, 208-230/460 V.	200172043	\$443
AE34-105B, AE36-120B, AE36-140B	DEFROST HEATER, CORE, 1500 WATTS, 62-1/4" LENGTH, 208-230/460 V.	206240009	\$573
	DEFROST HEATER, DRAIN PAN, 1500 WATTS, 57" LENGTH, 208-230/460 V.	200172045	\$546
AE44-140B, AE46-164B, AE46-185B	DEFROST HEATER, CORE, 2000 WATTS, 80-1/4" LENGTH, 208-230/460 V.	206240010	\$729
	DEFROST HEATER, DRAIN PAN, 2000 WATTS, 75" LENGTH, 208-230/460 V.	200172046	\$695
AE54-180B, AE56-210B	DEFROST HEATER, CORE, 2500 WATTS, 97-3/4" LENGTH, 208-230/460 V.	206240011	\$848
	DEFROST HEATER, DRAIN PAN, 2500 WATTS, 93" LENGTH, 208-230/460 V.	200172047	\$784
AE64-215B, AE66-245B, AE66-280B	DEFROST HEATER, CORE, 3000 WATTS, 115-3/4" LENGTH, 208-230/460 V.	206240012	\$898
	DEFROST HEATER, DRAIN PAN, 3000 WATTS, 111" LENGTH, 208-230/460 V.	200172048	\$880
1 FAN AA, & AE MODELS	DRAIN PAN, 27" LENGTH	08533740	\$592
AA28-76B, -97B, -122B, AA26-70B, -87B, AE26-60B, 26-75B	DRAIN PAN, 41" LENGTH	08533741	\$663
AA28-106B, -134B, AA26-115B AE26-92B, AE24-72B, -85B	DRAIN PAN, 45" LENGTH	08533742	\$663
3 FAN AA & AE MODELS	DRAIN PAN, 63" LENGTH	08533743	\$734
4 FAN AA & AE MODELS*	DRAIN PAN, 81" LENGTH	08533744	\$1,019
5 FAN AA & AE MODELS*	DRAIN PAN, 99" LENGTH	08533745	\$1,118
6 FAN AA & AE MODELS*	DRAIN PAN, 117" LENGTH	08533746	\$1,206
ALL-TEMP ² B MODELS (SP & PSC)	FAN BLADE, 12" DIAM., 24° PITCH, CW (For use with SP & PSC motors) (Use 08221153)	107943000	NLA
ALL-TEMP ² B MODELS (SP & PSC)	FAN BLADE, 12" DIAM., 24° PITCH, CW (For use with SP & PSC motors)	08221153	\$119
1 - 3 FAN AE MODELS	FAN GUARD, PLASTIC, LOW THROW - NO LONGER AVAILABLE	NLA	-
ALL MODELS (OPTIONAL)	FAN GUARD, PLASTIC, HIGH THROW, BLACK, 12"	205925001	\$208
ALL MODELS (OPTIONAL)	FAN GUARD, WIRE, EPOXY COATED, BLUE, 12"	NLA	-
ALL MODELS	FAN GUARD, PLASTIC, BLACK, 12"	119647000	\$147
ALL MODELS	FAN GUARD, WIRE, EPOXY COATED, BLACK, 12"	201006011	\$147
ALL-TEMP MODELS (SP & PSC)	MOTOR MOUNT (For use with Shaded Pole & PSC motors)	21062000	\$203
ALL-TEMP ² B MODELS	MOTOR, SHADED POLE, 1/20 HP, 1550 RPM, 115 V. (USE 08216072)	102540003	NLA
	MOTOR, SHADED POLE, 1/20 HP, 1550 RPM, 115 V.	08216072	\$317
	MOTOR, SHADED POLE, 1/20 HP, 1550 RPM, 208-230 V. (USE 08216071)	102540004	\$317
	MOTOR, SHADED POLE, 1/20 HP, 1550 RPM, 208-230 V.	08216071	\$317
	MOTOR, SHADED POLE, 1/20 HP, 1550 RPM, 460 V. (Use 08216034)	102540005	NLA
	MOTOR, SHADED POLE, 1/20 HP, 1550 RPM, 460 V.	08216034	\$467
ALL-TEMP ² B MODELS	MOTOR, PSC, 1/20 HP, 1550 RPM, 115 V. (USE 08216074)	108178001	NLA
	MOTOR, PSC, 1/20 HP, 1550 RPM, 115 V.	08216074	\$437
	MOTOR, PSC, 1/20 HP, 1550 RPM, 230 V. (USE 08216073)	108178002	NLA
	MOTOR, PSC, 1/20 HP, 1550 RPM, 230 V.	08216073	\$495
	CAPACITOR, 3 MFD, FOR 1/20 115 V. PSC MOTOR	202163010	\$69
	CAPACITOR, 2 MFD, FOR 1/20 230 V. PSC MOTOR	202163009	\$77
ALL-TEMP ² B MODELS (EC Motor)	FAN BLADE, 12" DIAM., 24° PITCH, CW (For use with EC Motors)	08221175	\$113
ALL-TEMP ² B MODELS (EC Motor)	MOTOR MOUNT LEG (For use with EC Motors) (3 required for complete mount)	08522938	\$64
EC MOTORS FOR	MOTOR, ECM, 50 WATT, 1550 RPM, 115 V, CCW	08216124	\$970
ALL-TEMP ² B MODELS	MOTOR, ECM, 50 WATT, 1550 RPM, 230 V, CCW	08216125	\$1,000
ECM RETRO-FIT KIT FOR	115 V MOTOR, KIT INCLUDES MOTOR, HARDWARE, MOUNT, & BLADE	08523048	NLA
ALL-TEMP ² B MODELS	230 V MOTOR, KIT INCLUDES MOTOR, HARDWARE, MOUNT, & BLADE	08523049	NLA

* ALL 4 - 6 FAN MODEL DRAIN PANS MUST VIA COMMON CARRIER ONLY, NO UPS.

NLA - NO LONGER AVAILABLE

SURVEILLANT DEMAND DEFROST CONTROLLER REPLACEMENT PARTS

Demand Defrost Control Parts	Surveillant Evaporator Control	08219537	\$3,929
	Electronic Expansion Valve - less cable	08219539	\$761
	EEV power cable for AA/AE evaporator	08219516	\$389
	EEV Power Cable for CTA/CTE evaporators	08219517	\$386
	Return Air Temperature Sensor for AA/AE	08219522	\$225
	Return Air Temperature Sensor for CTA/CTE	08219523	\$225
	Air sensor mounting wire	08219978	\$15
	Coil Temperature sensor for AA/AE	08219524	\$225
	Coil Temperature sensor for CTA/CTE	08219525	\$225
	Coil Temperature sensor for CTA/CTE (AUX)	08219526	\$225
	Suction Temperature sensor for AA/AE	08219520	\$225
	Suction Temperature sensor for CTA/CTE	08219521	\$225
	Transducer only - No cable	08219981	\$601
	Transducer Cable for AA/AE evaporators	08219518	\$312
	Transducer Cable for CTA/CTE	08219519	\$312
	Strain relief wire	08219528	\$4
	Smartgate Router	08219541	\$4,661

ALL-TEMP²B - MODELS AA-B, AE-B, AG-B, AH-B (BUILT AFTER APRIL, 2004)
HINGED END PANEL UNITS (REPLACEMENT HOUSING)

MODEL NUMBER	DESCRIPTION	PART NUMBER	LIST PRICE
1 FAN AA, & AE MODELS	VENTURI, 20" LENGTH	08519104	\$496
AA28-76B, -97B, -122B, AA26-70B, -87B, AE26-60B, AE26-75B	VENTURI, 34" LENGTH	08519241	\$534
AA28-106B, -134B, AA26-115B AE26-92B, AE24-85B	VENTURI, 38" LENGTH	08519242	\$534
3 FAN AA & AE MODELS	VENTURI, 56" LENGTH	08519243	\$558
4 FAN AA & AE MODELS	VENTURI, 74" LENGTH	08519244	\$592
5 FAN AA & AE MODELS	VENTURI, 92" LENGTH	08519245	\$620
6 FAN AA & AE MODELS	VENTURI, 110" LENGTH	08519246	\$646
SHORT (ELECTRICAL END)	HINGED END PANEL	08518612	\$228
LONG (HEADER END)	HINGED END PANEL	08518613	\$228

FOLLOWING HOT GAS DRAIN PANS ARE FOR UNITS PRODUCED AFTER AUGUST 3, 1992 .
FOR EARLIER VINTAGE USE THE ABOVE LISTED AA/AE DRAIN PANS.

MODEL NUMBER	DESCRIPTION	PART NUMBER	LIST PRICE
1 FAN AG, & AH MODELS	DRAIN PAN, 27" LENGTH - AFTER 8/3/92, ELSE USE EQUIV. AA/AE DRAIN PAN	20935800	\$592
AG26-60B, AH26-60B, AG26-75B, AH26-75B	DRAIN PAN, 41" LENGTH - AFTER 8/3/92, ELSE USE EQUIV. AA/AE DRAIN PAN	20935900	\$663
AG26-92B, AH26-92B	DRAIN PAN, 45" LENGTH - AFTER 8/3/92, ELSE USE EQUIV. AA/AE DRAIN PAN	20936000	\$663
3 FAN AG, & AH MODELS	DRAIN PAN, 63" LENGTH - AFTER 8/3/92, ELSE USE EQUIV. AA/AE DRAIN PAN	20936100	\$734
4 FAN AG, & AH MODELS*	DRAIN PAN, 81" LENGTH - AFTER 8/3/92, ELSE USE EQUIV. AA/AE DRAIN PAN	20936200	\$1,019
5 FAN AG, & AH MODELS*	DRAIN PAN, 99" LENGTH - AFTER 8/3/92, ELSE USE EQUIV. AA/AE DRAIN PAN	20936300	\$1,118
6 FAN AG, & AH MODELS*	DRAIN PAN, 117" LENGTH - AFTER 8/3/92, ELSE USE EQUIV. AA/AE DRAIN PAN	20936400	\$1,206

* ALL 4 - 6 FAN MODEL DRAIN PANS SHIP VIA COMMON CARRIER ONLY, NO UPS.

ALL- TEMP² - MODELS AA, AE, AG, AH (BUILT BEFORE OCTOBER 1,1991)

1 - 3 FAN AE MODELS	DEFROST CONTROL, NON-ADJUSTABLE, 3 WIRE	103079005	\$203
4 - 6 FAN AE MODELS	DEFROST CONTROL, ADJUSTABLE, RANCO F-25	204464037	\$546
1 - 6 FAN AE MODELS	HEATER SAFETY SWITCH, 2 WIRE	103079003	\$189
AE16-36	DEFROST HEATER, CORE, 1000 WATTS, 26" LENGTH, 208-230 V.	NLA	-
AE16-36	DEFROST HEATER, CORE, 1000 WATTS, 26" LENGTH, 460 V.	NLA	-
AE16-46, AE16-41, AE14-37	DEFROST HEATER, CORE, 500 WATTS, 26-1/4" LENGTH, 208-230/460 V.	206240006	\$574
	DEFROST HEATER, DRAIN PAN, 500 WATTS, 21" LENGTH, 208-230/460 V.	200172042	\$443
AE26-60	DEFROST HEATER, CORE, 2000 WATTS, 40-1/4" LENGTH, 208-230/460 V.	NLA	-
	DEFROST HEATER, DRAIN PAN, 800 WATTS, 35" LENGTH, 208-230/460 V.	200172043	\$443
AE26-75	DEFROST HEATER, CORE, 800 WATTS, 40-1/4" LENGTH, 208-230/460 V.	206240007	\$459
	DEFROST HEATER, DRAIN PAN, 800 WATTS, 35" LENGTH, 208-230/460 V.	200172043	\$443
AE26-92,AE24-85, AE24-72	DEFROST HEATER, CORE, 1000 WATTS, 44-1/4" LENGTH, 208-230/460 V.	206240008	\$493
	DEFROST HEATER, DRAIN PAN , 1000 WATTS, 39" LENGTH, 208-230/460 V.	200172044	\$459
AE36-140,AE36-120, AE34-105	DEFROST HEATER, CORE, 1500 WATTS, 62-1/4" LENGTH, 208-230/460 V.	206240009	\$573
	DEFROST HEATER, DRAIN PAN, 1500 WATTS, 57" LENGTH, 208-230/460 V.	200172045	\$546
AE46-164, AE46-185, AE44-140	DEFROST HEATER, CORE, 2000 WATTS, 80-1/4" LENGTH, 208-230/460 V.	206240010	\$729
	DEFROST HEATER, DRAIN PAN, 2000 WATTS, 75" LENGTH, 208-230/460 V.	200172046	\$695
AE56-210, AE54-180	DEFROST HEATER, CORE, 2500 WATTS, 97-3/4" LENGTH, 208-230/460 V.	206240011	\$848
	DEFROST HEATER, DRAIN PAN, 2500 WATTS, 93" LENGTH, 208-230/460 V.	200172047	\$784
AE66-280, AE66-245, AE64-215	DEFROST HEATER, CORE, 3000 WATTS, 115-3/4" LENGTH, 208-230/460 V.	206240012	\$898
	DEFROST HEATER, DRAIN PAN, 3000 WATTS, 111" LENGTH, 208-230/460 V.	200172048	\$880
ALL ALL-TEMP2 MODELS	FAN BLADE, 12" DIAM., 24° PITCH, CW (USE 08221153)	107943000	NLA
ALL ALL-TEMP2 MODELS	FAN BLADE, 12" DIAM., 24° PITCH, CW	08221153	\$119
1 - 3 FAN AE MODELS	FAN GUARD, PLASTIC, LOW THROW - NO LONGER AVAILABLE, SUBSTITUTE WIRE, EPOXY COATED, 12" FAN GUARD	201006011	\$147
4 - 6 FAN AE MODELS	FAN GUARD, PLASTIC, HIGH THROW, BLACK, 12"	205925001	\$208
ALL MODELS	FAN GUARD, WIRE, EPOXY COATED, 12"	NLA	-
ALL MODELS	MOTOR MOUNT	21062000	\$203
ALL MODELS (OPTIONAL)	MOTOR, PSC, 1/20 HP, 1550 RPM, 115 V., (3 MFD CAPACITOR NOT INCLUDED) (USE 08216074)	108178001	NLA
	MOTOR, PSC, 1/20 HP, 1550 RPM, 115 V., (3 MFD CAPACITOR NOT INCLUDED)	08216074	\$437
	MOTOR, PSC, 1/20 HP, 1550 RPM, 230 V., (2 MFD CAPACITOR NOT INCLUDED) (USE 08216073)	108178002	NLA
	MOTOR, PSC, 1/20 HP, 1550 RPM, 230 V., (2 MFD CAPACITOR NOT INCLUDED)	08216073	\$495
	CAPACITOR, 3 MFD, FOR 1/20 115 V. PSC MOTOR	202163010	\$69
	CAPACITOR, 2 MFD, FOR 1/20 230 V. PSC MOTOR	202163009	\$77
ALL MODELS	MOTOR, SHADED POLE, 1/20 HP, 1550 RPM, 115 V. (USE 08216072)	102540003	NLA
	MOTOR, SHADED POLE, 1/20 HP, 1550 RPM, 115 V.	08216072	\$317
	MOTOR, SHADED POLE, 1/20 HP, 1550 RPM, 208-230 V. (USE 08216071)	102540004	\$317
	MOTOR, SHADED POLE, 1/20 HP, 1550 RPM, 208-230 V.	08216071	\$317
	MOTOR, SHADED POLE, 1/20 HP, 1550 RPM, 460 V. (use 08216034)	102540005	NLA
	MOTOR, SHADED POLE, 1/20 HP, 1550 RPM, 460 V.	08216034	\$467

* ALL 4 - 6 FAN MODEL DRAIN PANS MUST VIA COMMON CARRIER ONLY, NO UPS.

NLA - NO LONGER AVAILABLE

† NOT STOCKED - MANUFACTURED PART.

ALL- TEMP - MODELS AL (BUILT BEFORE JUNE 1990)

MODEL NUMBER	DESCRIPTION	PART NUMBER	LIST PRICE
AL14-34, AL15-41, AL16-46	DEFROST HEATERS, CORE, 780 WATTS, 20" LENGTH, 208-230 V. (2 REQ'D)	200172021	\$348
	DRAIN PAN (13-1/4" width)	NLA	-
AL24-40, AL25-50, AL26-46	DEFROST HEATER, CORE, 1550 WATTS, 38" LENGTH, 208-230 V.	200172024	\$459
	DEFROST HEATER, CORE, 1550 WATTS, 38" LENGTH, 460 V.	NLA	-
	DRAIN PAN (13-1/4" width)	NLA	-
AL24-53, AL24-68, AL25-64 AL25-82, AL26-72, AL26-56, AL26-92, XAL28-104E	DEFROST HEATERS, CORE, 1550 WATTS, 38" LENGTH, 208-230 V. (2 REQ'D)	200172024	\$459
	DEFROST HEATERS, CORE, 1550 WATTS, 38" LENGTH, 460 V. (2 REQ'D)	NLA	-
	DRAIN PAN (13-1/4" width)	NLA	-
AL34-80, AL34-102, AL34-111 AL35-96, AL35-123, AL36-110, AL36-139	DEFROST HEATERS, CORE, 2200 WATTS, 56" LENGTH, 208-230 V. (2 REQ'D)	200172027	\$546
	DEFROST HEATERS, CORE, 2200 WATTS, 56" LENGTH, 460 V. (2 REQ'D)	NLA	-
	DRAIN PAN (13-1/4" width)	NLA	-
AL44-136, AL45-164, AL46-185	DEFROST HEATERS, CORE, 1220 WATTS, 30" LENGTH, 208-230 V. (2 REQ'D)	200172023	\$516
	DEFROST HEATERS, CORE, 1760 WATTS, 42" LENGTH, 208-230 V. (2 REQ'D)	200172025	\$949
	DEFROST HEATERS, CORE, 1220 WATTS, 30" LENGTH, 460 V. (2 REQ'D)	NLA	-
	DEFROST HEATERS, CORE, 1760 WATTS, 42" LENGTH, 460 V. (2 REQ'D)	NLA	-
	DRAIN PAN* (13-1/4" width)	NLA	-
AL54-170, AL55-205, AL56-230	DEFROST HEATERS, CORE, 1760 WATTS, 42" LENGTH, 208-230 V. (2 REQ'D)	200172025	\$949
	DEFROST HEATERS, CORE, 1970 WATTS, 48" LENGTH, 208-230 V. (2 REQ'D)	200172026	\$493
	DEFROST HEATERS, CORE, 1760 WATTS, 42" LENGTH, 460 V. (2 REQ'D)	NLA	-
	DEFROST HEATERS, CORE, 1970 WATTS, 48" LENGTH, 460 V. (2 REQ'D)	NLA	-
	DRAIN PAN* (13-1/4" width)	NLA	-
AL64-204, AL65-246, AL66-276	DEFROST HEATERS, CORE, 1970 WATTS, 48" LENGTH, 208-230 V. (2 REQ'D)	200172026	\$493
	DEFROST HEATERS, CORE, 2480 WATTS, 60" LENGTH, 208-230 V. (2 REQ'D)	200172028	\$546
	DEFROST HEATERS, CORE, 1970 WATTS, 48" LENGTH, 460 V. (2 REQ'D)	NLA	-
	DEFROST HEATERS, CORE, 2480 WATTS, 60" LENGTH, 460 V. (2 REQ'D)	200172018	\$796
	DRAIN PAN* (13-1/4" width)	NLA	-
ALL MODELS	DEFROST CONTROL, NON-ADJUSTABLE, 3 WIRE	103079002	\$203
ALL MODELS	FAN BLADE, 10" DIAM., 31° PITCH, CW, HUBLESS	204395017	\$73
ALL MODELS	FAN GUARD, PLASTIC, HI-THROW 10" ROUND	NLA	-
ALL MODELS	FAN GUARD, WIRE, EPOXY COATED, BLACK, 10"	08397002	\$147
ALL MODELS	FAN GUARD, WIRE, EPOXY COATED, WHITE, 10"	08397053	\$147
ALL MODELS	MOTOR MOUNT	10243000	\$147
ALL MODELS	MOTOR, SHADED POLE, 16 WATT, 1550 RPM, 115 V. CCW	103104007	\$293
	MOTOR, SHADED POLE, 16 WATT, 1550 RPM, 230 V. CCW	103104008	\$293

* ALL 4 - 6 FAN MODEL DRAIN PANS SHIP VIA COMMON CARRIER ONLY, NO UPS.

NLA - NO LONGER AVAILABLE

ALL-TEMP - MODELS AL-B (BUILT AFTER JUNE 1990)

MODEL NUMBER	DESCRIPTION	PART NUMBER	LIST PRICE
AL14-34B, AL15-41B, AL16-46B	DEFROST HEATER, CORE, 500 WATTS, 24" LENGTH, 208-230/460 V.	206240006	\$574
	DEFROST HEATERS, DRAIN PAN, 500 WATTS, 20" LENGTH, 208-230/460 V.	200172042	\$443
	DRAIN PAN (9-1/4" WIDTH)	NLA	-
AL24-40B, AL24-53B, AL25-50B, AL25-64B, AL26-56B, AL26-72B	DEFROST HEATER, CORE, 2000 WATTS, 43" LENGTH, 208-230 V.	NLA	-
	DEFROST HEATER, CORE, 2000 WATTS, 43" LENGTH, 460 V.	NLA	-
	DRAIN PAN (9-1/4" WIDTH)	NLA	-
AL24-68B, AL25-82B, AL26-92B	DEFROST HEATER, CORE, 1000 WATTS, 44-1/4" LENGTH, 208-230/460 V.	206240008	\$493
	DEFROST HEATERS, DRAIN PAN, 1000 WATTS, 38" LENGTH, 208-230/460 V.	200172044	\$459
	DRAIN PAN (9-1/4" WIDTH)	NLA	-
AL34-80B, AL34-102B, AL34-111B, AL35-96B, AL35-123B, AL36-110B, AL36-139B	DEFROST HEATER, CORE, 1500 WATTS, 62" LENGTH, 208-230/460 V.	206240009	\$573
	DEFROST HEATERS, DRAIN PAN, 1500 WATTS, 56" LENGTH, 208-230/460 V.	200172045	\$546
	DRAIN PAN (9-1/4" WIDTH)	NLA	-
AL44-136B, AL45-164B, AL46-185B	DEFROST HEATER, CORE, 2000 WATTS, 80-1/4" LENGTH, 208-230/460 V.	206240010	\$729
	DEFROST HEATERS, DRAIN PAN, 2000 WATTS, 74" LENGTH, 208-230/460 V.	200172046	\$695
	DRAIN PAN* (9-1/4" WIDTH)	NLA	-
AL54-170B, AL55-205B, AL56-230B	DEFROST HEATER, CORE, 2500 WATTS, 96" LENGTH, 208-230/460 V.	206240011	\$848
	DEFROST HEATERS, DRAIN PAN, 2500 WATTS, 92" LENGTH, 208-230/460 V.	200172047	\$784
	DRAIN PAN* (9-1/4" WIDTH)	NLA	-
AL64-204B, AL65-246B, AL66-276B	DEFROST HEATER, CORE, 3000 WATTS, 115-3/4" LENGTH, 208-230/460 V.	206240012	\$898
	DEFROST HEATERS, DRAIN PAN, 3000 WATTS, 100" LENGTH, 208-230/460 V.	200172048	\$880
	DRAIN PAN* (9-1/4" WIDTH)	NLA	-
ALL MODELS	DEFROST CONTROL, NON-ADJUSTABLE, 3 WIRE	103079002	\$203
ALL MODELS	FAN BLADE, 10" DIAM., 31° PITCH, CW, HUBLESS	NLA	-
ALL MODELS	FAN GUARD, WIRE, EPOXY COATED, BLACK, 10"	08397002	\$147
ALL MODELS	FAN GUARD, WIRE, EPOXY COATED, WHITE, 10"	08397053	\$147
ALL MODELS	FAN GUARD, PLASTIC, HI-THROW 10" ROUND	NLA	-
ALL MODELS	MOTOR MOUNT	10243000	\$147
ALL MODELS	MOTOR, SHADED POLE, 16 WATT, 1550 RPM, 115 V. CCW	103104007	\$293
	MOTOR, SHADED POLE, 16 WATT, 1550 RPM, 230 V. CCW	103104008	\$293

* ALL 4 - 6 FAN MODEL DRAIN PANS SHIP VIA COMMON CARRIER ONLY, NO UPS.

NLA - NO LONGER AVAILABLE

CEILING TEMP - MODELS CTA, CTE

MODEL NUMBER	DESCRIPTION	PART NUMBER	LIST PRICE
ALL MODELS	DEFROST CONTROL, DEFROST TERMINATION, (TIMER RESET) 2 WIRE (USE 08219273)	103079010	NLA
ALL MODELS	DEFROST CONTROL, DEFROST TERMINATION, (TIMER RESET) 2 WIRE	08219273	\$203
ALL MODELS	DEFROST CONTROL, FAN DELAY, 2 WIRE	103079009	\$203
CTE34-48, CTE34-58, CTE34-65, CTE36-53,CTE36-62, CTE36-69	DEFROST HEATERS, CORE, 1037 WATTS, 55" LENGTH, 208-230/460 V. (2 REQ'D)	208579001	\$571
CTE44-72, CTE44-84, CTE44-95, CTE46-77, CTE46-90, CTE46-100	DEFROST HEATERS, 1490 WATTS, 79" LENGTH, 208-230/460 V. (2 REQ'D)	208579002	\$778
CTE54-115, CTE44-128, CTE44-152 CTE54-145, CTE64-173, CTE56-125, CTE46-140, CTE56-160, CTE66-218	DEFROST HEATERS, 1943 WATTS, 103 LENGTH, 208-230/460 V. (2 REQ'D)	208579003	\$856

SPECIFY DRAIN CONNECTION LOCATION WHEN ORDERING CTA/CTE DRAIN PANS, BOTTOM OR SIDE.*

ALL 3 FAN CTA/CTE MODELS	DRAIN PAN, 58-1/2 LENGTH, SPECIFY DRAIN CONNECTION LOCATION	20860901	\$816
ALL 4 FAN CTA/CTE MODELS EXCEPT AS FOLLOWS	DRAIN PAN, 82-1/2 LENGTH, SPECIFY DRAIN CONNECTION LOCATION	20861001	\$1,039
CTA46-190, CTA48-210, CTE44-128, CTE46-140	DRAIN PAN, 106-1/2 LENGTH, SPECIFY DRAIN CONNECTION LOCATION	20861101	\$1,197
ALL 5 FAN CTA/CTE MODELS	DRAIN PAN, 106-1/2 LENGTH, SPECIFY DRAIN CONNECTION LOCATION	20861201	\$1,197
ALL 6 FAN CTA/CTE MODELS	DRAIN PAN, 106-1/2 LENGTH, SPECIFY DRAIN CONNECTION LOCATION	20861301	\$1,242
ALL MODELS	FAN BLADE, 10" DIAM., 31° PITCH, CCW, HUBLESS	204395018	\$80
ALL MODELS	FAN GUARD, PLASTIC, 12" (BLACK)	119647000	\$147
ALL MODELS (OPTIONAL)	FAN GUARD, WIRE, EPOXY COATED, 12", (BLACK) [OPTIONAL]	201006011	\$147
ALL MODELS	HEATER SAFETY SWITCH, 2 WIRE	103079003	\$189
ALL MODELS (OPTIONAL)	MOTOR, SHADED POLE , 16 WATT, 1550 RPM, 115 V.	103104007	\$293
Shaded Pole Motors	MOTOR, SHADED POLE , 16 WATT, 1550 RPM, 230 V.	103104008	\$293
ALL MODELS (OPTIONAL)	MOTOR, PSC , 16 WATT, 1550 RPM, 115 V.	107933001	\$595
Permanent Split Capacitor Motors	CAPACITOR, 5 MFD, FOR 16 WATT 115 V. PSC MOTOR	202163004	\$70
	MOTOR, PSC , 16 WATT, 1550 RPM, 230 V. (USE 107933003)	107933002	NLA
	CAPACITOR, 1.2 MFD, FOR 16 WATT 230 V. PSC MOTOR (Not required for 107933003)	202163015	\$77
ALL MODELS	MOTOR, ECM, 16 WATT, 1550 RPM, 115V	107933006	1034
EC MOTORS	MOTOR, ECM, 16 WATT, 1550 RPM, 230V	107933003	1074
ALL MODELS	MOTOR, MOUNT	10243000	\$147

* ALL CEILING-TEMP DRAIN PANS SHIP VIA COMMON CARRIER ONLY, NO UPS.

FLOW TEMP — MODELS RWF

RWF050, 100, 130, 160, 190, 220, 270, 340	115/230 VOLT - FAN BLADE, 10 IN. DIA., 31° PITCH, CCW, HUBLESS	204395018	\$80
RWF - 075	115/230 VOLT - FAN BLADE, 10 IN. DIA., 20° PITCH, CCW, HUBLESS	204395016	\$80
RWF-050, 100, 130, 160, 190, 220, 270, 340	460V - FAN BLADE, 10 IN. DIA., 28° PITCH, CCW	08221007	\$80
RWF - 075	460V - FAN BLADE, 10 IN. DIA., 13° PITCH, CCW	08221005	\$80
All Models	FAN GUARD, 12 IN. BLACK PLASTIC	119647000	\$147
	MOTOR MOUNT (Except for 460V PSC motor, See Below)	10243000	\$147
All Models - EC MOTORS	MOTOR, EC, 16W, 1550 RPM, 115V	107933006	\$1,034
	MOTOR, EC, 16W, 1550 RPM, 230V	107933003	\$1,074
	MOTOR MOUNT	10243000	\$147
All Models - PSC MOTORS (Optional)	MOTOR, PSC, 16 WATT, 1550 RPM, 115 V.	107933001	\$595
	CAPACITOR, 5 MFD, FOR 16 WATT 115 V. PSC MOTOR	202163004	\$70
	MOTOR, PSC, 16W, 1550 RPM, 460V	08216135	\$647
	MOTOR MOUNT, 460V PSC	082548940	\$147
All Models - SHADED POLE MOTORS (Optional)	MOTOR, SHADED POLE, 16 WATT, 1550 RPM, 115 V.	103104007	\$293
	MOTOR, SHADED POLE, 16 WATT, 1550 RPM, 230 V.	103104008	\$293
RWF - 050	DRAIN PAN/VENTURI PANEL	0852507601	\$687
RWF - 075, 100	DRAIN PAN/VENTURI PANEL, 2 FAN	0852507701	\$942
RWF - 130, 160	DRAIN PAN/VENTURI PANEL, 3 FAN	0852507801	\$1,043
RWF - 190, 220	DRAIN PAN/VENTURI PANEL, 4 FAN	0852507901	\$1,197
RWF - 270	DRAIN PAN/VENTURI PANEL, 5 FAN	0852508001	\$1,359
RWF - 340	DRAIN PAN/VENTURI PANEL, 6 FAN	0852508101	\$1,477
RWF - 050 (Optional)	DRAIN PAN/VENTURI PANEL, 1 FAN, WHITE PAINTED	0852507607	\$1,026
RWF - 075, 100 (Optional)	DRAIN PAN/VENTURI PANEL, 2 FAN, WHITE PAINTED	0852507707	\$1,295
RWF - 130, 160 (Optional)	DRAIN PAN/VENTURI PANEL, 3 FAN, WHITE PAINTED	0852507807	\$1,575
RWF - 190, 220 (Optional)	DRAIN PAN/VENTURI PANEL, 4 FAN, WHITE PAINTED	0852507907	\$1,587
RWF - 270 (Optional)	DRAIN PAN/VENTURI PANEL, 5 FAN, WHITE PAINTED	0852508000	\$1,765
RWF - 340 (Optional)	DRAIN PAN/VENTURI PANEL, 6 FAN, WHITE PAINTED	0852508107	\$1,889
RWF - 050	DEFROST HEATER 545W, 42 IN. LONG (2 PER UNIT)	0821500901	\$528
RWF - 075, 100	DEFROST HEATER 545W, 61 IN. LONG (2 PER UNIT)	0821500902	\$566
RWF - 130, 160, 190, 220	DEFROST HEATER 1305W, 79 IN. LONG (2 PER UNIT)	0821500903	\$652
RWF - 270	DEFROST HEATER 2180W, 90 IN. LONG (2 PER UNIT)	0821500904	\$738
RWF - 340	DEFROST HEATER 2725W, 114 IN. LONG (2 PER UNIT)	0821500905	\$834

All Electric and Hot Gas Defrost Models	DEFROST CONTROL, TERMINATION (STANDARD) (USE 08219273)	103079010	NLA
	DEFROST CONTROL, TERMINATION (STANDARD)	08219273	\$203
	DEFROST CONTROL, ADJUSTABLE (OPTIONAL)	204464037	\$546
	DEFROST CONTROL, HEATER SAFETY (STANDARD)	103079003	\$189

FLOW TEMP - MODELS FL, FL-E, FL-G, FL-H

MODEL NUMBER	DESCRIPTION	PART NUMBER	LIST PRICE
ALL MODELS	DEFROST CONTROL, DEFROST TERMINATION, (TIMER RESET) 2 WIRE (USE 08219273)	103079010	NLA
ALL MODELS	DEFROST CONTROL, FAN DELAY, 2 WIRE	10307909	\$189
ALL 2 FAN MODELS, FL36-100, FL36-135, FL46-180 MODELS	FAN BLADES, 10" DIAM., 20° PITCH, CCW, HUBLESS	204395016	\$80
ALL FL36-160, FL46-220, FL46-265 AND FL56-370	FAN BLADES, 10" DIAM., 31° PITCH, CCW, HUBLESS	204395018	\$80
ALL FL MODELS	FAN GUARD, PLASTIC, 12" (BLACK)	119647000	\$147
ALL FL MODELS	FAN GUARD, WIRE, EPOXY COATED, 12" (BLACK)	201006011	\$147
ALL FL MODELS	HEATER SAFETY SWITCH, 2 WIRE	103079003	\$189
ALL FL MODELS	MOTOR MOUNT	10243000	\$147
ALL 2 FAN MODELS AND ALL FL36-100 MODELS	MOTOR, SHADED POLE , 9 WATT, 1550 RPM, 115 V.	103104004	\$246
	MOTOR, SHADED POLE , 9 WATT, 1550 RPM, 230 V.	103104005	\$246
FL36-135, FL36-160 MODELS	MOTOR, SHADED POLE , 16 WATT, 1550 RPM, 115 V.	103104007	\$293
ALL 4 AND 5 FAN MODELS	MOTOR, SHADED POLE , 16 WATT, 1550 RPM, 230 V.	103104008	\$293
ALL FL MODELS (OPTIONAL)	MOTOR, PSC , 16 WATT, 1550 RPM, 115 V.	107933001	\$595
Permanent Split Capacitor Motors	CAPACITOR, 5 MFD, FOR 16 WATT 115 V. PSC MOTOR	202163004	\$70
	MOTOR, PSC , 16 WATT, 1550 RPM, 230 V., (No Longer Available. use 107933003)	107933002	NLA
	CAPACITOR, 1.2 MFD, FOR 16 WATT 230 V. PSC MOTOR (Not required for 107933003)	202163015	\$77
ALL MODELS	MOTOR, ECM , 16 WATT, 1550 RPM, 115V	107933006	\$1,034
EC MOTOR	MOTOR, ECM , 16 WATT, 1550 RPM, 230V	107933003	\$1,074

FOLLOWING HEATERS ARE FOR UNITS PRODUCED BEFORE APRIL 1, 1988.

FL26-67E	DEFROST HEATERS, CORE, 1970 WATTS, 48" LENGTH, 208-230 V. (2 REQ'D)	200172026	\$493
	DEFROST HEATERS, CORE, 1970 WATTS, 48" LENGTH, 460 V. (2 REQ'D)	200172016	NLA
FL36-100E, FL36-135E, FL36-160E	DEFROST HEATERS, CORE, 1220 WATTS, 30" LENGTH, 208-230 V (2 REQ'D)	200172023	\$516
	DEFROST HEATERS, CORE, 1760 WATTS, 42" LENGTH, 208-230 V. (2 REQ'D)	200172025	\$949
	DEFROST HEATERS, CORE, 1220 WATTS, 30" LENGTH, 460 V. (2 REQ'D)	200172013	NLA
	DEFROST HEATERS, CORE, 1760 WATTS, 42" LENGTH, 460 V. (2 REQ'D)	200172015	NLA
FL46-180E, FL46-220E, FL46-265E	DEFROST HEATERS, CORE, 1550 WATTS, 38" LENGTH, 208-230 V (2 REQ'D)	200172024	\$459
	DEFROST HEATERS, CORE, 2480 WATTS, 60" LENGTH, 208-230 V. (2 REQ'D)	200172028	\$546
	DEFROST HEATERS, CORE, 1760 WATTS, 42" LENGTH, 460 V. (2 REQ'D)	200172015	NLA
	DEFROST HEATERS, CORE, 2200 WATTS, 56" LENGTH, 460 V. (2 REQ'D)	200172017	\$796

FOLLOWING HEATERS ARE FOR UNITS PRODUCED BETWEEN APRIL 1, 1988 AND APRIL 1, 1994

FL26-67E	DEFROST HEATERS, CORE, 1970 WATTS, 50" LENGTH, 208-230/460 V. (2 REQ'D)	205221020	NLA
FL36-100E	DEFROST HEATERS, CORE, 2980 WATTS, 74" LENGTH, 208-230/460 V. (2 REQ'D)	205221021	NLA
FL36-135E, FL36-160E	DEFROST HEATERS, CORE, 2980 WATTS, 75" LENGTH, 208-230/460 V. (2 REQ'D)	200172049	\$552
FL46-180E, FL46-220E †	DEFROST HEATERS, CORE, 1550 WATTS, 38" LENGTH, 208-230 V. (2 REQ'D)	200172024	\$459
FL46-265E †	DEFROST HEATERS, CORE, 2480 WATTS, 60" LENGTH, 208-230 V. (2 REQ'D)	200172028	\$546

FOLLOWING HEATERS ARE FOR UNITS PRODUCED AFTER APRIL 1, 1994

FL26-67E	DEFROST HEATERS, CORE, 1970 WATTS, 50" LENGTH, 208-230/460 V. (2 REQ'D)	205221020	NLA
FL36-100E	DEFROST HEATERS, CORE, 2980 WATTS, 74" LENGTH, 208-230/460 V. (2 REQ'D)	205221021	NLA
FL36-135E, FL36-160E	DEFROST HEATERS, CORE, 2980 WATTS, 75" LENGTH, 208-230/460 V. (2 REQ'D)	200172049	\$552
FL46-180E, FL46-220E,	DEFROST HEATERS, CORE, 1550 WATTS, 38" LENGTH, 208-230/460 V. (2 REQ'D)	200172024	\$459
FL46-265E	DEFROST HEATERS, CORE, 2480 WATTS, 60" LENGTH, 208-230/460 V. (2 REQ'D)	200172028	\$546
FL56-370E	DEFROST HEATERS, CORE, 2480 WATTS, 60" LENGTH, 208-230/460 V. (4 REQ'D)	200172028	\$546

FOLLOWING DRAIN PANS ARE FOR UNITS PRODUCED BEFORE APRIL 1, 1991.

2 FAN MODELS	DRAIN PANS, PAINTED (WHITE)	NLA	—
3 FAN FL MODELS	DRAIN PANS, PAINTED (WHITE)	NLA	—
4 FAN FL MODELS	DRAIN PANS, PAINTED (WHITE)	NLA	—

FOLLOWING DRAIN PANS ARE FOR UNITS PRODUCED AFTER APRIL 1, 1991. *

2 FAN FL MODELS	DRAIN PANS	10861406	\$942
3 FAN FL MODELS	DRAIN PANS	10861407	\$1,043
4 FAN FL MODELS	DRAIN PANS	10861403	\$1,197
5 FAN FL MODEL	DRAIN PANS	10861408	\$1,359
2 FAN MODEL (OPTIONAL)	DRAIN PANS, PAINTED (WHITE)‡	10861406W	\$1,651
3 FAN FL MODELS (OPTIONAL)	DRAIN PANS, PAINTED (WHITE)‡	10861407W	\$1,986
4 FAN FL MODELS (OPTIONAL)	DRAIN PANS, PAINTED (WHITE)‡	10861403W	\$2,268
5 FAN FL MODEL (OPTIONAL)	DRAIN PANS, PAINTED (WHITE)‡	10861408W	\$2,500

* ALL FLOW-TEMP DRAIN PANS SHIP VIA COMMON CARRIER, NO UPS.

‡ MUST ADD NOTE TO ORDER TO INCLUDE WHITE PAINTED HOUSING.

† NEED ONE OF EACH HEATER TO MAKE THE TOTAL LENGTH OF THE UNIT. ORIGINAL HEATER IS NO LONGER AVAILABLE.

NLA-NO LONGER AVAILABLE

INTER TEMP - MODELS ITA, ITE, ITG, ITH PRODUCED BEFORE MARCH, 1996

MODEL NUMBER	DESCRIPTION	PART NUMBER	LIST PRICE
ALL MODELS	FAN BLADES, 14" DIAM., 32° PITCH, CW	214100000	\$320
ALL MODELS	FAN GUARD, WIRE, EPOXY COATED, 14" (original part 213626002 - No Longer A v.)	203626003	NLA
ALL ITA 2 FAN MODELS	DRAIN PAN, 45-1/2" LENGTH*	21414700	NLA
ALL ITA 3 FAN MODELS	DRAIN PAN, 63-1/2" LENGTH*	21414800	NLA
ALL ITA 4 FAN MODELS	DRAIN PAN, 81-1/2" LENGTH*	21414900	NLA
ALL ITA 5 FAN MODELS	DRAIN PAN, 99-1/2" LENGTH*	21415000	NLA
ALL ITE, ITG, ITH MODELS	DEFROST CONTROL, ADJUSTABLE, RANCO F-25	204464037	\$546
ITE24-110, ITE24-105, ITE26-125, ITE26-270	DEFROST HEATERS, CORE, 671 WATTS, 47" LENGTH, 230 V. (4 REQ'D)	112755000	NLA
	DEFROST HEATERS, DRAIN PAN, 238 WATTS, 97-7/8" LENGTH, 230 V. (2 REQ'D)	113889000	\$546
	DRAIN PAN, 45-1/2" LENGTH*	21415100	\$736
ITE34-225, ITE36-256	DEFROST HEATERS, CORE, 959 WATTS, 65" LENGTH, 230 V. (4 REQ'D)	112756000	NLA
	DEFROST HEATERS, DRAIN PAN, 168 WATTS, 70-1/8" LENGTH, 230 V. (4 REQ'D)	113888000	NLA
	DRAIN PAN, 63-1/2" LENGTH*	21415200	NLA
ITE44-300, ITE46-340	DEFROST HEATERS, CORE, 1247 WATTS, 83" LENGTH, 230 V. (4 REQ'D)	112757000	NLA
	DEFROST HEATERS, DRAIN PAN, 213 WATTS, 88-1/4" LENGTH, 230 V. (4 REQ'D)	113887000	NLA
	DRAIN PAN, 81-1/2" LENGTH*	21415300	NLA
ITE54-380, ITE56-430	DEFROST HEATERS, CORE, 1535 WATTS, 101" LENGTH, 230 V. (4 REQ'D)	112758000	NLA
	DEFROST HEATERS, DRAIN PAN, 258 WATTS, 106-1/8" LENGTH, 230 V. (4 REQ'D)	NLA	-
	DRAIN PAN, 99-1/2" LENGTH*	21415400	NLA

CONTACT FACTORY FOR HOT GAS DRAIN PAN PRICING

FOLLOWING MOTORS ARE FOR UNITS PRODUCED BEFORE JANUARY 1, 1994.

ALL MODELS	MOTOR, SHADED POLE, 1/8 HP, 1050 RPM, 115V.(CAPACITOR NOT INCLUDED)	122830000	\$1,182
	MOTOR, PSC, 1/8 HP, 1050 RPM, 230V. (CAPACITOR NOT INCLUDED)	049-146	\$1,123
	MOTOR, SHADED POLE, 1/15 HP, 1050 RPM, 460V.	NLA	-
ALL 115V MODELS	CAPACITOR, 10 MFD, FOR 1/15 HP 115 V. PSC MOTOR	08216063	\$73
ALL 230V MODELS	CAPACITOR, 5 MFD, FOR 1/8 HP 230 V. PSC MOTOR	202163004	\$70
ALL 460V MODELS	CAPACITOR, 7.5 MFD, FOR 1/8 HP 460 V. PSC MOTOR	202163008	NLA

OR UNITS PRODUCED BETWEEN APRIL 30, 1994 AND MARCH, 1996.

ALL MODELS	MOTOR, PSC, 1/8 HP, 1050 RPM, 115 V., (CAPACITOR NOT INCLUDED)	122830000	\$1,182
	MOTOR, PSC, 1/8 HP, 1050 RPM, 230 V., (CAPACITOR NOT INCLUDED)	049-146	\$1,178
	MOTOR, PSC, 1/8 HP, 1050 RPM, 460 V., (CAPACITOR NOT INCLUDED)	049-175	\$1,255
ALL 115V MODELS	CAPACITOR, 10 MFD, FOR 1/15 HP 115 V. PSC MOTOR	08216063	\$73
ALL 230V MODELS	CAPACITOR, 5 MFD, FOR 1/8 HP 230 V. PSC MOTOR	202163004	\$70
ALL 460V MODELS	CAPACITOR, 7.5 MFD, FOR 1/8 HP 460 V. PSC MOTOR	202163006	\$77

INTER TEMP - MODELS ITA, ITE, ITG, ITH PRODUCED AFTER MARCH, 1996

ITA24-126,-169, ITA34-224,-287, ITA26-145,-191, ITA36-240,-305, ITA28-151,-210, ITA38-260,-320, ITE24-105, -140, ITE34-175, ITE26-130, -150, ITE36 -185	FAN BLADE, 14" 32° PITCH, CW	214100000	\$320
	FAN GUARD, 14" WIRE, EPOXY COATED, BLUE	213626002	NLA
	FAN GUARD, 14" WIRE, EPOXY COATED, BLACK	213626003	\$189
	FAN GUARD, AIR STRAIGHTENER, 14"	11344700	NLA
ITA24-340,-395, ITA34-465,-585 ITA26-370,ITA36-415, -490,-620 ITA28-410,-450, ITA38-540,-690 ITE24-230,-325, ITE34-390,-510 ITE26-270, ITE26-320, ITE36-385 ITE36-460, ITE36-520	FAN BLADE, 20" 25° PITCH, CW	213456000	\$432
	FAN GUARD, WIRE, EPOXY COATED, 20"	213484000	\$353
	FAN GUARD, AIR STRAIGHTENER, 20"	10692300	\$603

* INTER -TEMP DRAIN PANS MUST SHIP COMMON CARRIER, NO UPS.

NLA - NO LONGER AVAILABLE

INTER TEMP - MODELS ITA, ITE, ITG, ITH PRODUCED AFTER MARCH,1996 (CONT)

MODEL NUMBER	DESCRIPTION	PART NUMBER	LIST PRICE
ITA24-126,-169, ITA26-145,-191, ITA28-151,-210, ITE24-105,-140, ITE26-130,-150	DRAIN PAN, 55" LENGTH*	11523801	\$1,277
ITA34-224,287, ITA36-240,-305, ITA38-260,-320, ITE34-175, ITE36-185	DRAIN PAN, 76" LENGTH*	11523901	\$1,410
ITA24-340,-395, ITA26-370, ITA28-410,-450, ITE24-230,-325, ITE26-270,-320	DRAIN PAN, 76" LENGTH*	11524001	\$1,410
ITA34-465,-585, ITA38-540,-690, ITA36-415,-490,-620, ITE34-390,-510, ITE36-385,-460,-520	DRAIN PAN, 106" LENGTH*	11524101	\$1,410
ALL ITE MODELS	DEFROST TERMINATION CONTROL (USE 08219273)	103079010	NLA
ALL ITE MODELS	DEFROST TERMINATION CONTROL	08219273	\$203
ALL ITE MODELS	FAN DELAY CONTROL	103079009	\$203
ALL ITE MODELS	HEATER SAFETY CONTROL	103079003	\$189
ITE24-105, ITE24-140, ITE26-130, ITE26-150	DEFROST HEATERS, 240V, 1693 WATTS 50" LENGTH, 3 REQ.	206240022	\$501
	DEFROST HEATERS,460V, 1555 WATTS, 50" LENGTH, 3 REQ.	206240021	\$785
	DEFROST HEATERS,575V, 1555 WATTS, 50" LENGTH, 3 REQ.	206240030	\$785
ITE34-175, ITE24-230, ITE24-325, ITE36-185, ITE26-270, ITE26-320	DEFROST HEATERS, 240V, 2458 WATTS, 70" LENGTH, 3 REQ.	206240004	\$661
	DEFROST HEATERS, 460V, 2258 WATTS, 70" LENGTH, 3 REQ.	206240020	\$985
	DEFROST HEATERS, 575V, 2258 WATTS, 70" LENGTH, 3 REQ.	206240029	\$985
ITE34-390, ITE34-510, ITE36-385, ITE36-460, ITE36-520	DEFROST HEATERS, 240V, 3538 WATTS, 100" LENGTH, 3 REQ.	206240005	\$828
	DEFROST HEATERS, 460V, 3249 WATTS, 100" LENGTH, 3 REQ.	206240019	\$1,128
	DEFROST HEATERS, 575V, 3249 WATTS, 100" LENGTH, 3 REQ.	206240028	\$1,128
ITA24-126,-169, ITA34-224,-287, ITA26-145,-191, ITA36-240,-305, ITA28-151,-210, ITA38-260,-320	MOTOR, PSC, 115V, 1/8 HP, 1075 RPM (4 MFD CAP. NOT INCLUDED)	115248001	\$1,182
	CAPACITOR, 4MFD, FOR 1/8 HP (115 V, 230V, 460V.) PSC MOTOR	202163012	\$73
	MOTOR, ECM , 115V, 1/8 HP, 1075 RPM	08216128	1438
ITA24-340,-395, ITA34-465,-585 ITA26-370,ITA36-415, -490,-620 ITA28-410,-450, ITA38-540,-690 ITA24-340,-395, ITA34-465,-585	MOTOR, PSC, 115V, 1/3 HP, 1075 RPM	205051005	\$1,142
	MOTOR, PSC, 115V, 1/3 HP, 1075 RPM, LO-GRSE (5 MFD CAP. NOT INCLUDED)	205051020	\$1,284
	CAPACITOR, 5MFD, FOR 1/3 HP (115V) PSC MOTOR	202163004	\$70
	MOTOR, ECM , 115V, 1/3 HP, 1075 RPM	08216130	1420
ITA24-126,-169, ITA34-224,-287 ITA26-145,-191, ITA36-240,-305 ITA28-151,-210, ITA38-260,-320 ITE24-105, ITE24-140, ITE34-175 ITE26-130, ITE26-150, ITE36-185	MOTOR, PSC, 230V, 1/8 HP, 1075 RPM (4 MFD CAP. NOT INCLUDED)	115248002	\$1,182
	CAPACITOR, 4MFD, FOR 1/8 HP (115 V, 230V, 460V.) PSC MOTOR	202163012	\$73
	MOTOR, ECM , 230V, 1/8 HP, 1075 RPM	08216129	1491
ITA24-340,-395, ITA34-465,-585, ITA26-370,-415, ITA36-415,-490,-620, ITA28-410,-450, ITA38-540,-690, ITE24-230,-325, ITE34-390,-510, ITE26-270, ITE26-320, ITE36-385, ITE36-460, ITE36-520	MOTOR, PSC, 115V, 1/3 HP, 1075 RPM	205051004	\$594
	MOTOR, PSC, 230V, 1/3 HP, 1075 RPM, LO-GRSE (5.0 MFD CAP. NOT INCLUDED)	205051019	\$1,418
	CAPACITOR, 5.0 MFD, FOR 1/3 HP (230V) PSC MOTOR	202163004	\$70
	MOTOR, ECM , 230V, 1/3 HP, 1075 RPM	08216131	1733
ITA24-126,-169, ITA34-224,-287 ITA26-145,-191, ITA36-240,-305 ITA28-151,-210, ITA38-260,-320 ITE24-105, ITE24-140, ITE34-175 ITE26-130, ITE26-150, ITE36-185	MOTOR, PSC, 460V, 1/8 HP, 1075 RPM (4 MFD CAP. NOT INCLUDED)	115248003	\$1,255
	MOTOR, PSC, 575V, 1/8 HP, 1075 RPM (4 MFD CAP. NOT INCLUDED)	115951000	\$1,393
	CAPACITOR, 4MFD, FOR 1/8 HP (115 V, 230V, 460V.) PSC MOTOR	202163012	\$73
ITA24-340,-395, ITA34-465,-585 ITA26-370,-415, ITA36-490,-620 ITA28-410,-450, ITA38-540,-690 ITE24-230,-325, ITE34-390,-510 ITE26-270, ITE26-320 ITE36-385, ITE36-460, ITE36-520	MOTOR, PSC, 460V, 1/3 HP, 1075 RPM (NO LONGER AVAILABLE use 205051021)	205051006	\$1,121
	MOTOR, PSC, 460V, 1/3 HP, 1075 RPM, LO-GRSE (7.5 MFD CAP. NOT INCLUDED)	205051021	\$1,564
	MOTOR, PSC, 575V, 1/3 HP, 1075 RPM (7.5 MFD CAP. NOT INCLUDED)	115950000	\$1,489
	CAPACITOR, 7.5 MFD, FOR 1/3 HP (230V,460V) PSC MOTOR	202163006	\$77
MODELS WITH 14" FANS	MOTOR MOUNT 14"	214837000	\$199
MODELS WITH 20" FANS	MOTOR MOUNT 20"	210225000	\$348

* INTER - TEMP DRAIN PANS MUST SHIP VIA COMMON CARRIER. NO UPS SHIPMENTS
BOLD PART NUMBERS ARE FOR REPLACEMENT MOTORS

ULTRA TEMP - MODELS U*U, U*L, U*M, UAH

MODEL NUMBER	DESCRIPTION	PART NUMBER	LIST PRICE
ALL MODELS	DEFROST CONTROL, ADJUSTABLE, RANCO F-25	204464037	\$546
ALL 1 FAN MODELS	DEFROST HEATERS, CORE, 1378 WATTS, 40" LENGTH, 208-230/460 V. (4 REQ'D)	206240003	\$409
	DEFROST HEATERS, CORE, 1378 WATTS, 40" LENGTH, 300 V. (4 REQ'D)	206240025	\$517
ALL 2 FAN MODELS	DEFROST HEATERS, CORE, 2458 WATTS, 70" LENGTH, 208-230/460 V. (4 REQ'D)	206240004	\$661
	DEFROST HEATERS, CORE, 2458 WATTS, 70" LENGTH, 300 V. (4 REQ'D)	206240026	\$837
ALL 3 FAN MODELS	DEFROST HEATERS, CORE, 3538 WATTS, 100" LENGTH, 208-230/460 V. (4 REQ'D)	206240005	\$828
	DEFROST HEATERS, CORE, 3538 WATTS, 100" LENGTH, 300 V. (4 REQ'D)	206240027	\$1,074
UEU4-711	DEFROST HEATERS, CORE, 2305 WATTS, 132" LENGTH, 208-230/460 V. (8 REQ'D)	206240002	\$658
UEL4-817, UEL4-722 UEM4-780, UEM4-882	DEFROST HEATERS, CORE, 2305 WATTS, 132" LENGTH, 300 V. (8 REQ'D)	206240024	\$837
UEU4-851, UEU4-1080, UEL4-950, UEL4-1100, UEL4-1260, UEM4-1380, UEM4-1100 UEM4-1320, UEM4-1656	DEFROST HEATERS, CORE, 2305 WATTS, 132" LENGTH, 208-230/460 V. (12 REQ'D)	206240002	\$658
	DEFROST HEATERS, CORE, 2305 WATTS, 132" LENGTH, 300 V. (12 REQ'D)	206240024	\$837
UEU5-1350, UEL5-1575	DEFROST HEATERS, CORE, 2837 WATTS, 162" LENGTH, 208-230/460 V (12 REQ'D)	206240017	\$761
UEL5-1725, UEM5-2065	DEFROST HEATERS, CORE, 2837 WATTS, 162" LENGTH, 208V (300V units) (12 REQ'D)	206240032	\$785
UEU6-1620, UEL6-1890	DEFROST HEATERS, CORE, 3369 WATTS, 192" LENGTH, 208-230/460 V (12 REQ'D)	206240018	\$912
UEL6-2070, UEM6-2480	DEFROST HEATERS, CORE, 3369 WATTS, 192" LENGTH, 208V (300V units) (12 REQ'D)	206240031	\$950
ALL MODELS	DEFROST HEATER, DRAIN PLUG, 540 WATTS, 208-230/460 V.	10780703	NLA

FOLLOWING DRAIN PANS ARE FOR UNITS PRODUCED BEFORE JULY 31, 1995 (contact factory for Hot Gas Pans)**

1 FAN MODELS	DRAIN PAN, 46-1/2"LENGTH - (SHIPS FROM YUMA, AZ) SPECIFY MOD# AND S/N.	12270501	\$1,125
2 FAN MODELS	DRAIN PAN, 76-1/2"LENGTH - (SHIPS FROM YUMA, AZ) SPECIFY MOD# AND S/N.	12270502	\$1,264
3 FAN MODELS	DRAIN PAN, 106-1/2"LENGTH - (SHIPS FROM YUMA, AZ) SPECIFY MOD# AND S/N.	12270503	\$1,395
4 FAN MODELS	DRAIN PAN, 136-1/2"LENGTH - (SHIPS FROM YUMA, AZ) SPECIFY MOD# AND S/N.	12270504	\$1,533
5 FAN MODELS	DRAIN PAN, 166-1/2"LENGTH - (SHIPS FROM YUMA, AZ) SPECIFY MOD# AND S/N.	12270505	\$1,856
6 FAN MODELS	DRAIN PAN, 196-1/2"LENGTH - (SHIPS FROM YUMA, AZ) SPECIFY MOD# AND S/N.	21505600	\$2,299

FOLLOWING DRAIN PANS ARE FOR UNITS PRODUCED AFTER JULY 31, 1995 (contact factory for Hot Gas Pans)**

1 FAN MODELS	DRAIN PAN, 46-1/2"LENGTH - (SHIPS FR YUMA, AZ) SPECIFY MOD# AND S/N.	10642401	\$1,125
2 FAN MODELS	DRAIN PAN, 76-1/2"LENGTH - (SHIPS FR YUMA, AZ) SPECIFY MOD# AND S/N.	10642402	\$1,264
3 FAN MODELS	DRAIN PAN, 106-1/2"LENGTH - (SHIPS FROM YUMA, AZ) SPECIFY MOD# AND S/N.	10642403	\$1,395
4 FAN MODELS (AIR DEFROST)	DRAIN PAN, 136-1/2"LENGTH - (SHIPS FROM YUMA, AZ) SPECIFY MOD# AND S/N.	10642404	\$1,533
5 FAN MODELS (AIR DEFROST)	DRAIN PAN, 166-1/2"LENGTH - (SHIPS FROM YUMA, AZ) SPECIFY MOD# AND S/N.	21884500	\$1,856
6 FAN MODELS (AIR DEFROST)	DRAIN PAN, 196-1/2"LENGTH - (SHIPS FROM YUMA, AZ) SPECIFY MOD# AND S/N.	21884600	\$2,037
4 FAN MODELS (ELEC. DEF)	DRAIN PAN, 136-1/2"LENGTH - (SHIPS FROM YUMA, AZ) SPECIFY MOD# AND S/N.	21485900	\$1,792
5 FAN MODELS (ELEC. DEF)	DRAIN PAN, 166-1/2"LENGTH - (SHIPS FROM YUMA, AZ) SPECIFY MOD# AND S/N.	21512700	\$2,112
6 FAN MODELS (ELEC. DEF)	DRAIN PAN, 196-1/2"LENGTH - (SHIPS FROM YUMA, AZ) SPECIFY MOD# AND S/N.	21505600	\$2,299
4,5,6, FAN MODELS	DRAIN PAN, CONNECTION 1-1/4"	114896001	\$80

FOLLOWING DRAIN PAN HEATERS ARE FOR UNITS PRODUCED AFTER JULY 31, 1995**

1-3 FAN MODELS*	NOT REQUIRED	NLA	-
4 FAN MODELS	DRAIN PAN HTR, 133-1/2"LENGTH, SPEC. MOD# AND S/N.(2 REQ.), 540 WATTS, 230V	115098000	\$709
	DRAIN PAN HTR, 146-1/8"LENGTH, SPEC. MOD# AND S/N.(2 REQ.), 540 WATTS, 300V	125704000	\$750
5 FAN MODELS	DRAIN PAN HTR, 163-1/2"LENGTH, SPEC. MOD# AND S/N.(2 REQ.), 660 WATTS, 230V	115099000	\$800
	DRAIN PAN HTR, 176-1/8"LENGTH, SPEC. MOD# AND S/N.(2 REQ.), 660 WATTS, 300V	125705000	\$846
6 FAN MODELS	DRAIN PAN HTR, 196-1/2"LENGTH, SPEC. MOD# AND S/N.(2 REQ.), 780 WATTS, 230V	115100000	\$978
	DRAIN PAN HTR, 206-1/8"LENGTH, SPEC. MOD# AND S/N.(2 REQ.), 780 WATTS, 300V	125706000	\$1,052

FOLLOWING FAN BLADES ARE FOR UNITS PRODUCED BEFORE APRIL 1, 1990.

ALL 1, 2, & 3 FAN U*U, AND U*L MODELS, AND U*U4-711, U*L4-722, U*L4-817	FAN BLADES, 20" DIAM., 23° PITCH, CW, 1/2" BORE	202147008	\$492
U*U4-851, U*U4-1080, U*L4-1100, U*L4-1380 U*M4-1320, U*M4-1656, UAH4-1452, UAH4-1821	FAN BLADES, 24" DIAM., 32° PITCH, CW, 1/2" BORE, 3 BLADES	213455000	\$492
		08221050	\$492
ALL 1, 2, & 3 FAN U*M, AND UAH MODELS, AND U*M4-780, U*M4-822, UAH4-866, UAH4-980	FAN BLADES, 20" DIAM., 25° PITCH, CW, 1/2" BORE	213456000	\$432

* NO DRAIN PAN HEATERS FOR 1 - 3 FAN MODELS (BOTTOM CORE HEATER DEFROSTS THE DRAIN PAN.)

NLA - NO LONGER AVAILABLE

** MUST SHIP VIA COMMON CARRIER. NO UPS SHIPMENTS

ULTRA TEMP - MODELS U*U, U*L, U*M, UAH (Con't)

FOLLOWING FAN BLADES ARE FOR UNITS PRODUCED AFTER APRIL 1, 1990.

U*U1-118, U*U2-236, U*L1-125 U*L1-152, U*L1-193, U*L2-240, U*L2-304	FAN BLADES, 20" DIAM., 23° PITCH, CCW , 1/2" BORE	202147008	\$492
U*U2-355, U*L2-361, U*L2-408, U*M4-1100, U*M4-1320, U*M4-1656, UAH4-1452, UAH4-1821, UAH5-2275, UAH6-2730, & ALL 3, 4, 5, & 6 FAN U*U AND U*L MODELS	FAN BLADES, 24" DIAM., 32° PITCH, CW, 1/2" BORE, 3 BLADES	213455000	\$492
		08221050	\$492
U*M1-164, U*M1-209, U*M2-270, U*M2-239, UAH1-182, UAH1-232, UAH2-300, UAH2-365	FAN BLADES, 20" DIAM., 25° PITCH, CW, 1/2" BORE	213456000	\$432
U*M2-390, U*M2-441, UAH2-433, UAH2-490, ALL 3 FAN U*M, AND UAH MODELS U*M4-780, U*M4-882, U*M5-2065, U*M6-2480, UAH4-866, UAH4-980, UAH4-1100	FAN BLADES, 24" DIAM., 14° PITCH, CW , 1/2" BORE	214041000	\$476
U*U1-118, U*U2-236, U*L1-125, U*L1-152, U*L1-193, U*L2-240, U*L2-304, U*M1-164, U*M1-209, U*M2-270, U*M2-329, UAH1-182, UAH1-232, UAH2-300, UAH2-365	FAN GUARD, WIRE, EPOXY COATED, 20"	213484000	\$353
	FAN GUARD, AIR STRAIGHTENER (20" FANS)	10692300	\$603
U*U2-355, U*L2-361, U*L2-408, U*M2-390, U*M2-441, UAH2-433, UAH2-490, AND ALL 3, 4, 5, & 6 FAN U*U, U*L, U*M, UAH MODELS	FAN GUARD, WIRE, EPOXY COATED, 24"	202136005	\$722
	FAN GUARD, AIR STRAIGHTENER (24" FANS)	10709900	\$722

FOLLOWING MOTORS ARE FOR UNITS PRODUCED BEFORE APRIL 1, 1990.

ALL 1, 2, & 3 FAN U*M, & UAH & U*M4-780, U*M4-882, UAH4-866, UAH4-980, UAH4-1100	MOTOR, PSC, 115V, 1/3 HP, 1075 RPM (NO LONGER AVAILABLE FOR EVAP. UNITS)	205051005	\$1,142
	MOTOR, PSC, 115V, 1/3 HP, 1075 RPM, LO-GRSE (5 MFD CAP. NOT INCLUDED)	205051020	\$1,284
	MOTOR, PSC, 230V, 1/3 HP, 1075 RPM (NO LONGER AVAILABLE FOR EVAP. UNITS)	205051004	\$594
	MOTOR, PSC, 230V, 1/3 HP, 1075 RPM, LO-GRSE (5.0 MFD CAP. NOT INCLUDED)	205051019	\$1,418
	MOTOR, PSC, 460V, 1/3 HP, 1075 RPM (NO LONGER AVAILABLE FOR EVAP UNITS)	205051006	\$1,121
U*U4-851, U*U4-1080, U*L4-1100, U*L4-1380 U*M4-1320, U*M4-1656, UAH4-1452, UAH4-1821	MOTOR, PSC, 3/4 HP, 1075RPM, 208-230/60/1 (NO LONGER AVAILABLE FOR EVAPS)	205051009	\$1,564
	MOTOR, PSC, 3/4 HP, 1075RPM, 208-230/60/1 (5 MFD CAPACITOR NOT INCLUDED)	118187000	\$1,976
	MOTOR, PSC, 3/4 HP, 1075RPM, 460/60/1 (NO LONGER AVAILABLE FOR EVAP UNITS)	205051002	\$1,722
	MOTOR, PSC, 3/4 HP, 1075RPM, 460/60/1 (5 MFD CAPACITOR NOT INCLUDED)	118186000	\$2,258
	MOTOR, PSC, 3/4 HP, 1625 RPM, 208-230/60/1 (7.5 MFD CAPACITOR NOT INCLUDED)	205051007	\$1,602
ALL 1, 2, & 3 FAN U*U, AND U*L MODELS, AND U*U4-711, U*L4-722, U*L4-817	MOTOR, PSC, 3/4 HP, 1625 RPM, 460/60/1 (7.5 MFD CAPACITOR NOT INCLUDED)	205051008	\$1,724
	MOTOR, PSC, 3/4 HP, 1625 RPM, 460/60/1 (7.5 MFD CAPACITOR NOT INCLUDED)	205269000	\$348
ALL MODELS	MOTOR, MOUNT, 24"	205269000	\$348

FOLLOWING MOTORS ARE FOR UNITS PRODUCED AFTER APRIL 1, 1990.

ALL 1, 2, 3, FAN U*M, AND UAH MODELS, AND U*M4-780, U*M4-882, UAH4-866, UAH4-980, UAH4-1100	MOTOR, PSC, 115V, 1/3 HP, 1075 RPM (NO LONGER AVAILABLE FOR EVAP. UNITS)	205051005	1142
	MOTOR, PSC, 115V, 1/3 HP, 1075 RPM, LO-GRSE (5 MFD CAP. NOT INCLUDED)	205051020	1284
	MOTOR, ECM , 1/3 HP, 1075 RPM, CCW, 115V	08216130	1420
	MOTOR, PSC, 230V, 1/3 HP, 1075 RPM (NO LONGER AVAILABLE FOR EVAP. UNITS)	205051004	594
	MOTOR, PSC, 230V, 1/3 HP, 1075 RPM, LO-GRSE (5.0 MFD CAP. NOT INCLUDED)	205051019	1418
	MOTOR, ECM , 1/3 HP, 1075 RPM, CCW, 230V	08216131	1733
	MOTOR, PSC, 460V, 1/3 HP, 1075 RPM (NO LONGER AVAILABLE FOR EVAP UNITS)	205051006	1121
	MOTOR, PSC, 460V, 1/3 HP, 1075 RPM, LO-GRSE (7.5 MFD CAP. NOT INCLUDED)	205051021	1564
	MOTOR, PSC, 1/3 HP, 1075 RPM, 575/60/1 (7.5 MFD CAPACITOR NOT INCLUDED)	115950000	1489
	U*U2-355, U*L2-361, U*L2-408, AND ALL 3, 4, 5, & 6 FAN U*U, AND U*L MODELS, U*M4-1100, U*M4-1320, U*M4-1656, U*M5-2065 U*M6-2480, UAH4-1452, UAH4-1821 UAH5-2275, UAH6-2730	MOTOR, PSC, 3/4 HP, 1075RPM, 208-230/60/1 (NO LONGER AVAILABLE FOR EVAPS)	205051009
MOTOR, PSC, 3/4 HP, 1075RPM, 208-230/60/1 (5 MFD CAPACITOR NOT INCLUDED)		118187000	1976
MOTOR, PSC, 3/4 HP, 1075RPM, 460/60/1 (NO LONGER AVAILABLE FOR EVAP UNITS)		205051002	1722
MOTOR, PSC, 3/4 HP, 1075RPM, 460/60/1 (5 MFD CAPACITOR NOT INCLUDED)		118186000	2258
MOTOR, PSC, 1/2 HP, 1075RPM, 575/60/1 (5 MFD CAPACITOR NOT INCLUDED)		115952000	1410
U*U1-118, U*U2-236, U*L1-125, U*L1-152, U*L1-193, U*L2-240 U*L2-304	MOTOR, ECM , 3/4 HP, 1075 RPM, CCW, 230V	08216132	1912
	MOTOR, PSC, 3/4 HP, 1625 RPM, 208-230/60/1 (7.5 MFD CAPACITOR NOT INCLUDED)	205051007	1602
	MOTOR, PSC, 3/4 HP, 1625 RPM, 460/60/1 (7.5 MFD CAPACITOR NOT INCLUDED)	205051008	1724
	MOTOR, PSC, 1/2 HP, 1075RPM, 575/60/1 (5 MFD CAPACITOR NOT INCLUDED)	115952000	1410
	MOTOR, ECM , 3/4 HP, 1625 RPM, CCW, 230V	08216133	1841
ALL MODELS	MOTOR, MOUNT, 24"	205269000	348
ALL MODELS	CAPACITOR, 5MFD, 230/1 V. PSC MOTORS ONLY	202163004	70
	CAPACITOR, 7.5 MFD, 230/1 V. PSC MOTORS ONLY	202163006	77

BOLD PART NUMBERS ARE FOR REPLACEMENT MOTORS

FLEX TEMP-MODELS FT

MODEL NUMBER	DESCRIPTION	PART NUMBER	LIST PRICE
FT18-6, FT18-8	DRAIN PAN-VENTURI	20985600	\$209
	FAN BLADES, PLASTIC, 6" DIAM., 21° PITCH, CW, HUBLESS	105849001	\$86
	FAN GUARD, PLASTIC, 6"	205932000	\$135
	MOTOR, SKELETON FRAME, SHADED POLE, 43 WATT INPUT, 3000 RPM, 115 V.	102249005	\$250
	MOTOR, SKELETON FRAME, SHADED POLE, 43 WATT INPUT, 3000 RPM, 230 V.	102249007	\$250
FT28-12	DRAIN PAN-VENTURI	20985500	\$275
	FAN BLADES, PLASTIC, 6" DIAM., 21° PITCH, CW, HUBLESS	105849001	\$86
	FAN GUARD, PLASTIC, 6"	205932000	\$135
	MOTOR, SKELETON FRAME, SHADED POLE, 43 WATT INPUT, 3000 RPM, 115 V.	102249005	\$250
	MOTOR, SKELETON FRAME, SHADED POLE, 43 WATT INPUT, 3000 RPM, 230 V.	102249007	\$250
FT18-17	DRAIN PAN-VENTURI	20985400	\$329
	FAN BLADES, 8" DIAM., 31° PITCH, CW, HUBLESS	204395009	\$75
	FAN GUARD, PLASTIC, 8"	206569000	\$138
	MOTOR, SHADED POLE, 9 WATT, 1550 RPM, 115 V.	103104004	\$246
	MOTOR, SHADED POLE, 9 WATT, 1550 RPM, 230 V.	103104005	\$246
	MOTOR, ECM , 16W, 1550 RPM, 115V	107933006	1034
FT18-23, FT18-31	MOTOR, ECM , 16W, 1550 RPM, 230V	107933003	1074
	DRAIN PAN-VENTURI	20985300	\$419
	FAN BLADES, 10" DIAM., 25° PITCH, CCW	214022000	\$80
	FAN GUARD, WIRE, EPOXY COATED , 10"	201006002	\$147
	MOTOR, SHADED POLE, 1/20 HP, 1550 RPM, 115 V. (USE 08216072)	102540003	NLA
	MOTOR, SHADED POLE, 1/20 HP, 1550 RPM, 115 V.	08216072	\$317
	MOTOR, SHADED POLE, 1/20 HP, 1550 RPM, 208-230 V.	102540004	\$317
	MOTOR, SHADED POLE, 1/20 HP, 1550 RPM, 208-230 V. (USE 08216071)	8216071	\$317
MOTOR, ECM , 1/30 HP, 1550 RPM, 115V	08216126	1208	
MOTOR, ECM , 1/30 HP, 1550 RPM, 230V	08216127	1261	

HI TEMP - MODELS HI

HI17-6, HI17-9, HI17-12, HI17-15	DRAIN PAN	NLA	-
HI17-18, HI17-25	DRAIN PAN	NLA	-
HI17-35, HI17-45, HI18-55	DRAIN PAN	NLA	-
HI17-65, HI17-75, HI18-85	DRAIN PAN	NLA	-
HI17-105, HI18-120	DRAIN PAN	NLA	-
HI27-150, HI27-180	DRAIN PAN	NLA	-
HI17-6	FAN BLADES, 6" DIAM., 20° PITCH, CW, HUBLESS	105849001	86
HI17-9, HI17-12, HI17-15	FAN BLADES, 8" DIAM., 31° PITCH, CW , HUBLESS	204395009	75
HI17-18, HI17-25	FAN BLADES, 10" DIAM., 20° PITCH, CW, HUBLESS	204395015	80
HI17-35	FAN BLADES, 12" DIAM., 19° PITCH, CW, 5/16" BORE	NLA	-
HI17-45	FAN BLADES, 12" DIAM., 19° PITCH, CW, 5/16" BORE	NLA	-
HI18-55	FAN BLADES, 12" DIAM., 23° PITCH, CW, 5/16" BORE	215112000	235
HI17-65, HI27-150,	FAN BLADES, 16" DIAM., 19° PITCH, CW, 1/2" BORE	11905	296
HI17-75, HI18-85, HI17-105 HI18-120, HI27-180	FAN BLADES, 16" DIAM., 23° PITCH, CW, 1/2" BORE	NLA	-
HI17-6	FAN GUARD, PLASTIC, 6"	205932000	135
HI17-9, HI17-12, HI17-15	FAN GUARD, PLASTIC, 8"	206569000	138
HI17-18, HI17-25	FAN GUARD, WIRE, EPOXY COATED , 10"	08397002	147
HI17-35, HI17-45, HI18-55	FAN GUARD, WIRE, EPOXY COATED , 12"	201006011	147
HI17-65 THRU HI27-180	FAN GUARD, WIRE, EPOXY COATED , 16"	201006004	199
HI17-6, HI17-9, HI17-12	MOTOR, SHADED POLE, 4 WATT, 1550 RPM, 115 V.	NLA	-
HI17-15, HI17-18, HI17-25	MOTOR, SHADED POLE, 9 WATT, 1550 RPM, 115 V.	103104004	246
	MOTOR, SHADED POLE, 9 WATT, 1550 RPM, 230 V.	103104005	246
HI17-35, HI17-45, HI18-55	MOTOR, SHADED POLE, 1/20 HP, 1550 RPM, 115 V.	08216072	317
	MOTOR, SHADED POLE, 1/20 HP, 1550 RPM, 230 V.	08216071	317
HI17-65, HI17-75, HI18-85, HI17-105, HI27-150, HI27-180	MOTOR, SHADED POLE, 1/12 HP, 1050 RPM, 115 V.	08216119	889
	MOTOR, SHADED POLE, 1/12 HP, 1050 RPM, 230 V.	NLA	-
HI18-120	MOTOR, SHADED POLE, 1/6 HP, 1050 RPM, 115/230 V.	NLA	-
HI17-6 THRU HI18-55	MOTOR MOUNT (SPECIFY UNIT MODEL NUMBER WHEN ORDERING)	NLA	-
HI17-65 THRU HI27-180	MOTOR MOUNT (SPECIFY UNIT MODEL NUMBER WHEN ORDERING)	NLA	-

NLA - NO LONGER AVAILABLE

ASL MODELS

MODEL NUMBER	DESCRIPTION	PART NUMBER	LIST PRICE
ASL25-46E	DEFROST HEATERS, CORE, 1300 WATTS, 39" LENGTH, 230 V.	205221013	\$459
	DRAIN PAN, 46" LENGTH	20248901	\$690
ASL25-58E	DEFROST HEATERS, CORE, 1970 WATTS, 48" LENGTH, 230 V.	200172026	\$493
	DRAIN PAN	202489001	\$690
ASL35-70E	DEFROST HEATERS, CORE, 1850 WATTS, 62" LENGTH, 230 V.	205221016	\$722
	DRAIN PAN, 69" LENGTH	20248902	\$828
ASL45-94E	DEFROST HEATERS, CORE, 1250 WATTS, 42" LENGTH, 230 V. (2 REQ'D)	205221007	\$595
	DRAIN PAN, 92" LENGTH	20248903	\$916
ASL55-117E	DEFROST HEATERS, CORE, 1600 WATTS, 54" LENGTH, 230 V. (2 REQ'D)	205221010	\$682
	DRAIN PAN, 115" LENGTH	20248904	\$1,005
ALL "ASL-E" MODELS	DEFROST CONTROL, NON-ADJUSTABLE, 3 WIRE	103079002	\$203
ALL "ASL-E" MODELS	HEATER SAFETY SWITCH, 2 WIRE	103079003	\$189
ALL "ASL" MODELS	FAN BLADES, 10" DIAM., 31° PITCH, CCW, HUBLESS, 1/4" BORE	204395018	\$80
ALL "ASL" MODELS	FAN GUARD, WIRE, EPOXY COATED, 10", (WHITE)	08397053	\$147
ALL "ASL" MODELS	MOTOR MOUNT	10243000	\$147
ALL "ASL" MODELS	MOTOR, SHADED POLE , 16 WATT, 1550 RPM, 115 V.	103104007	\$293
Shaded Pole Motors	MOTOR, SHADED POLE , 16 WATT, 1550 RPM, 230 V.	103104008	\$293
ALL "ASL" MODELS	MOTOR, PSC , 16 WATT, 1550 RPM, 115 V.	107933001	\$595
Permanent Split Capacitor Motors	MOTOR, PSC , 16 WATT, 1550 RPM, 230 V. (USE 107933003)	107933002	NLA
ALL MODELS	MOTOR, ECM , 16 WATT, 1550 RPM, 115 V.	107933006	1034
Electronically Commutated Motors	MOTOR, ECM , 16 WATT, 1550 RPM, 230 V.	107933003	1074

ASLA & ASLE

ASLE 25-46	DEFROST HEATERS, CORE, 1300 WATTS, 39" LENGTH, 230 V.	205221013	\$459
	DRAIN PAN	202489001	\$690
ASLE 25-58	DEFROST HEATERS, CORE, 1970 WATTS, 48" LENGTH, 230 V.	200172026	\$493
	DRAIN PAN	202489001	\$690
ASLE 35-70	DEFROST HEATERS, CORE, 1850 WATTS, 62" LENGTH, 230 V.	205221016	\$722
	DRAIN PAN	202489002	\$828
ASLE 45-94	DEFROST HEATERS, CORE, 1250 WATTS, 42" LENGTH, 230 V. (2 REQ'D)	205221007	\$595
	DRAIN PAN	202489003	\$916
ASLE55-117	DEFROST HEATERS, CORE, 1600 WATTS, 54" LENGTH, 230 V. (2 REQ'D)	205221010	\$682
	DRAIN PAN	202489004	\$1,005
ASLE 65-150	DEFROST HEATERS, CORE, 1850 WATTS, 62" LENGTH, 230 V. (2 REQ'D)	205221016	\$722
	DRAIN PAN	22118700	\$828
ALL "ASLE" MODELS	DEFROST CONTROL, DEFROST TERMINATION, (TIMER RESET) 2 WIRE (USE 0821973)	103079010	NLA
ALL "ASLE" MODELS	DEFROST CONTROL, DEFROST TERMINATION, (TIMER RESET) 2 WIRE	0821973	\$203
ALL "ASLE" MODELS	DEFROST CONTROL, FAN DELAY, 2 WIRE	103079009	\$203
ALL "ASLE" MODELS	HEATER SAFETY SWITCH, 2 WIRE	103079003	\$189
ALL "ASL" MODELS	FAN BLADES, 10" DIAM., 31° PITCH, CCW, HUBLESS, 1/4" BORE	204395018	\$80
ALL "ASL" MODELS	FAN GUARD, WIRE, EPOXY COATED, 10"	201006002	\$147
ALL "ASL" MODELS	MOTOR, SHADED POLE , 16 WATT, 1550 RPM, 115 V.	103104007	\$293
Shaded Pole Motors	MOTOR, SHADED POLE , 16 WATT, 1550 RPM, 230 V.	103104008	\$293
ALL "ASL" MODELS	MOTOR, PSC , 16 WATT, 1550 RPM, 115 V.	107933001	\$595
Permanent Split Capacitor Motors	MOTOR, PSC , 16 WATT, 1550 RPM, 230 V. (USE 107933003)	107933002	NLA
ALL MODELS	MOTOR, ECM , 16 WATT, 1550 RPM, 115 V.	107933006	1034
Electronically Commutated Motors	MOTOR, ECM , 16 WATT, 1550 RPM, 230 V.	107933003	1074

MINI TWIN TEMP - MODELS MTW

MODEL NUMBER	DESCRIPTION	PART NUMBER	LIST PRICE
MTW18-8	DRAIN PAN (VENTURI)	20317800	\$268
MTW28-13	DRAIN PAN (VENTURI)	20317900	\$356
MTW28-18	DRAIN PAN (VENTURI)	20317900	\$356
MTW38-27	DRAIN PAN (VENTURI)	203176000	\$366
ALL "MTW" MODELS	FAN BLADES, 6" DIAM., 21° PITCH, CW, 1/4" BORE, PLASTIC	105849001	\$86
ALL "MTW" MODELS	FAN GUARD, PLASTIC, 6"	205932000	\$135
ALL "MTW" MODELS	MOTOR, SKELETON FRAME, SHADED POLE, 43 WATT INPUT, 3000 RPM, 115 V.	102249005	\$250
	MOTOR, SKELETON FRAME, SHADED POLE, 43 WATT INPUT, 3000 RPM, 230 V.	102249007	\$250
ALL "MTW" MODELS	MOTOR MOUNT	12003600	\$75

MULLION TEMP - MODELS MUF, MDF, WAX

ALL 27-13, AND 27-17 MODELS	DRAIN PAN	20782200	\$209
ALL 37-23 MODELS	DRAIN PAN	20988300	\$255
ALL MUF AND WAX MODELS	FAN BLADES, 5" DIAM., CCW , PLASTIC	105849004	\$64
ALL MDF MODELS	FAN BLADES, 5" DIAM., CW, PLASTIC	105849002	\$64
ALL MDF MODELS	FAN GUARD, Plastic 5"	207824000	\$133
ALL MODELS	MOTOR, SKELETON FRAME, SHADED POLE, 43 WATT INPUT, 3000 RPM, 115 V.	102249005	\$250
	MOTOR, SKELETON FRAME, SHADED POLE, 43 WATT INPUT, 3000 RPM, 230 V.	102249007	\$250

SLIM TEMP - MODELS SL, AIR AND ELECTRIC DEFROST

SLE- ALL MODELS	DEFROST TERMINATION / FAN DELAY 3 WIRE NON-ADJUSTABLE	103079002	\$203
SL15-9E	DEFROST HEATER, CORE, 420 WATTS, 10" LENGTH, 115 V.	NLA	-
	DEFROST HEATER, CORE, 420 WATTS, 10" LENGTH, 230 V.	NLA	-
SL15-11E	DEFROST HEATERS, CORE, 500 WATTS, 14" LENGTH, 115 V.	NLA	-
	DEFROST HEATERS, CORE, 500 WATTS, 14" LENGTH, 230 V.	NLA	-
SL25-15E	DEFROST HEATERS, CORE, 700 WATTS, 17" LENGTH, 115 V.	NLA	-
	DEFROST HEATERS, CORE, 700 WATTS, 17" LENGTH, 230 V.	NLA	-
SL25-20E	DEFROST HEATERS, CORE, 900 WATTS, 24" LENGTH, 115 V.	NLA	-
	DEFROST HEATERS, CORE, 900 WATTS, 24" LENGTH, 230 V.	NLA	-
SL35-26E	DEFROST HEATERS, CORE, 1300 WATTS, 33" LENGTH, 115 V.	NLA	-
	DEFROST HEATERS, CORE, 1300 WATTS, 33" LENGTH, 230 V.	NLA	-
SL45-33E	DEFROST HEATERS, CORE, 1600 WATTS, 41" LENGTH, 115 V.	NLA	-
	DEFROST HEATERS, CORE, 1600 WATTS, 41" LENGTH, 230 V.	NLA	-
SL55-44E	DEFROST HEATERS, CORE, 2100 WATTS, 56" LENGTH, 115 V.	NLA	-
	DEFROST HEATERS, CORE, 2100 WATTS, 56" LENGTH, 230 V.	NLA	-
SL35-58E	DEFROST HEATERS, CORE, 2200 WATTS, 56" LENGTH, 230 V.	200172027	\$546
SL35-70E	DEFROST HEATERS, CORE, 1220 WATTS, 30 LENGTH, 230 V. (1 REQ'D)	200172023	\$516
	DEFROST HEATERS, CORE, 1760 WATTS, 42 LENGTH, 230 V. (1 REQ'D)	205221007	\$595
SL45-87E	DEFROST HEATERS, CORE, 1300 WATTS, 39 LENGTH, 230 V. (1 REQ'D)	205221013	\$459
	DEFROST HEATERS, CORE, 1970 WATTS, 48 LENGTH, 230 V. (1 REQ'D)	200172026	\$493
SL17-10, SL15-9E	DRAIN PAN	NLA	-
SL17-13, SL15-11E	DRAIN PAN	NLA	-
SL27-17, SL25-15E	DRAIN PAN	NLA	-
SL27-23, SL25-20E	DRAIN PAN	NLA	-
SL37-30, SL35-26E	DRAIN PAN	NLA	-
SL47-37, SL45-33E	DRAIN PAN	NLA	-
SL57-50, SL55-44E	DRAIN PAN	NLA	-
SL35-58E	DRAIN PAN	NLA	-
SL35-70E	DRAIN PAN	NLA	-
SL45-87E	DRAIN PAN	NLA	-
SL15-9(E) THRU SL55-44(E)	FAN BLADES, 6" DIAM., 21° PITCH, CW , 1/4" BORE, PLASTIC	105849001	\$86
SL35-58(E), SL35-70(E), SL45-87(E)	FAN BLADES, 10" DIAM., 31° PITCH, CCW , HUBLESS, 1/4" BORE	204395018	\$80
SL15-9(E) THRU SL55-44(E)	FAN GUARD, PLASTIC, 6"	205932000	\$135
SL35-58(E), SL35-70(E), SL45-87(E)	FAN GUARD, WIRE, EPOXY COATED, 10", (WHITE)	08397053	\$147
SL15-9(E) THRU SL55-44(E)	MOTOR, SKELETON FRAME, SHADED POLE, 43 WATT INPUT, 3000 RPM, 115 V.	102249005	\$250
	MOTOR, SKELETON FRAME, SHADED POLE, 43 WATT INPUT, 3000 RPM, 230 V.	102249007	\$250
SL35-58(E), SL35-70(E), SL45-87(E)	MOTOR, SHADED POLE, 16 WATT, 1550 RPM, 115 V.	103104007	\$293
	MOTOR, SHADED POLE, 16 WATT, 1550 RPM, 230 V.	103104008	\$293
SL15-9(E) THRU SL55-44(E)	MOTOR MOUNT, 43 WATT	12003600	\$75
SL35-58(E), SL35-70(E), SL45-87(E)	MOTOR MOUNT, 16 WATT	10243000	\$147

NLA - NO LONGER AVAILABLE

SLIM TEMP - MODELS SLA

MODEL NUMBER	DESCRIPTION	PART NUMBER	LIST PRICE
SLA 17-10	DRAIN PAN (VENTURI)	20997400	\$268
SLA 17-13	DRAIN PAN (VENTURI)	20997600	\$296
SLA27-17	DRAIN PAN (VENTURI)	20997800	\$349
SLA27-23	DRAIN PAN (VENTURI)	20996600	\$409
SLA 37-30	DRAIN PAN (VENTURI)	20996800	\$486
SLA 47-40	DRAIN PAN (VENTURI)	20997000	\$536
SLA 57-50	DRAIN PAN (VENTURI)	20997200	\$663
ALL MODELS	FAN BLADES, 6" DIAM., 21° PITCH, CW, PLASTIC	105849001	\$86
ALL MODELS	FAN GUARD, PLASTIC,(CLEAR), 6"	205932000	\$135
ALL MODELS	MOTOR, SKELETON FRAME, SHADED POLE, 43 WATT INPUT, 3000 RPM, 115 V.	102249005	\$250
	MOTOR, SKELETON FRAME, SHADED POLE, 43 WATT INPUT, 3000 RPM, 230 V.	102249007	\$250
ALL MODELS	MOTOR MOUNT	12003600	\$75

SLIM TEMP - MODELS SLE

ALL "SLE" MODELS	DEFROST CONTROL, DEFROST TERMINATION, (USE 08219273)	103079010	NLA
ALL "SLE" MODELS	DEFROST CONTROL, DEFROST TERMINATION, (TIMER RESET) 2 WIRE	08219273	\$203
ALL "SLE" MODELS	DEFROST CONTROL, FAN DELAY, 2 WIRE	103079009	\$203
SLE 15-9	DEFROST HEATER, 400 WATTS, 10-1/4" LENGTH, 115V.	220150001	\$348
	DEFROST HEATER, 400 WATTS, 10-1/4" LENGTH, 230V.	220150031	\$398
	DRAIN PAN	20997400	\$268
SLE 15-12	DEFROST HEATER, 500 WATTS, 14-1/4" LENGTH, 115V.	220150002	\$349
	DEFROST HEATER, 500 WATTS, 14-1/4" LENGTH, 230V.	220150032	\$404
	DRAIN PAN	20997600	\$296
SLE 25-16	DEFROST HEATER, 700 WATTS, 17-3/4" LENGTH, 115V.	220150003	\$403
	DEFROST HEATER, 700 WATTS, 17-3/4" LENGTH, 230V.	220150033	\$385
	DRAIN PAN	20997800	\$349
SLE 25-21	DEFROST HEATER, 700 WATTS, 17-3/4" LENGTH, 115V.	220150003	\$403
	DEFROST HEATER, 700 WATTS, 17-3/4" LENGTH, 230V.	220150033	\$385
	DRAIN PAN	20998000	\$409
SLE 25-28	DEFROST HEATER, 900 WATTS, 25-1/4" LENGTH, 115V.	220150004	\$443
	DEFROST HEATER, 900 WATTS, 25-1/4" LENGTH, 230V.	220150034	\$529
	DRAIN PAN	20998200	\$501
SLE 35-36	DEFROST HEATER, 1200 WATTS, 32-1/4" LENGTH, 115V.	220150005	\$492
	DEFROST HEATER, 1200 WATTS, 32-1/4" LENGTH, 230V.	220150035	\$574
	DRAIN PAN	20998400	\$558
SLE 45-54	DEFROST HEATER, 1500 WATTS, 42" LENGTH, 115V.	220150006	\$625
	DEFROST HEATER, 1500 WATTS, 42" LENGTH, 230V.	220150036	\$633
	DRAIN PAN	20998600	\$690
SLE 35-70	DEFROST HEATER, 2300 WATTS, 69-1/4" LENGTH, 230V.	220150037	\$709
	DRAIN PAN	20998800	\$762
SLE 15-9 THRU 25-16	FAN BLADES, 6" DIAM., 21° PITCH, CW, PLASTIC	105849001	\$86
	FAN GUARD, PLASTIC,(CLEAR), 6"	205932000	\$135
SLE 25-21 THRU 45-54	FAN BLADES, 8" DIAM., 31° PITCH, CCW	204395010	\$75
	FAN GUARD, PLASTIC,(CLEAR), 8"	206569000	\$138
SLE 35-70	FAN BLADES, 10" DIAM., 31° PITCH, CCW	204395018	\$80
	FAN GUARD, WIRE, EPOXY COATED, 10" (WHITE)	8397053	\$147
SLE 15-9 THRU 25-16	MOTOR, SKELETON FRAME, SHADED POLE, 43 WATT INPUT, 3000 RPM, 115 V.	102249005	\$250
	MOTOR, SKELETON FRAME, SHADED POLE, 43 WATT INPUT, 3000 RPM, 230 V.	102249007	\$250
SLE 25-21 THRU 45-54	MOTOR, SKELETON FRAME, SHADED POLE, 9 WATT, 1550 RPM, 115 V.	103104004	\$246
	MOTOR, SKELETON FRAME, SHADED POLE, 9 WATT, 1550 RPM, 230 V.	103104005	\$246
	MOTOR, ECM , 16W, 1550 RPM, 115V	107933006	1034
	MOTOR, ECM , 16W, 1550 RPM, 230V	107933003	1074
SLE 35-70	MOTOR, SKELETON FRAME, SHADED POLE, 16 WATT, 1550 RPM, 115 V.	103104007	\$293
	MOTOR, SKELETON FRAME, SHADED POLE, 16 WATT, 1550 RPM, 230 V.	103104008	\$293
SLE 15-9 THRU 25-16	MOTOR MOUNT	12003600	\$75
SLE 25-21 THRU 45-54	MOTOR MOUNT	12003000	\$80
SLE 35-70	MOTOR MOUNT	10243000	\$147

SLIM TEMP - SPECIAL SLB

SLB- ALL MODELS	SERPENTINE HEATER, 1400WATTS, 230V	NLA	-
-----------------	------------------------------------	-----	---

NLA - NO LONGER AVAILABLE

T-TEMP - MODELS TT

MODEL NUMBER	DESCRIPTION	PART NUMBER	LIST PRICE
TT18-8	DRAIN PAN (VENTURI)	20316400	\$268
TT28-13	DRAIN PAN (VENTURI)	20316501	\$296
TT28-17	DRAIN PAN (VENTURI)	20316502	\$349
ALL "TT" MODELS	FAN BLADES, 6" DIAM., 21° PITCH, CW , 1/4" BORE, PLASTIC	105849001	\$86
ALL "TT" MODELS	FAN GUARD, PLASTIC,(CLEAR), 6"	205932000	\$135
ALL "TT" MODELS	MOTOR, SKELETON FRAME, SHADED POLE, 43 WATT INPUT, 3000 RPM, 115 V.	102249005	\$250
ALL "TT" MODELS	MOTOR, SKELETON FRAME, SHADED POLE, 43 WATT INPUT, 3000 RPM, 230 V.	102249007	\$250
ALL "TT" MODELS	MOTOR MOUNT	12003600	\$75

TWIN TEMP - MODELS TW

TW17-9, TW17-12, TW17-18	DRAIN PAN (VENTURI)	20870100	\$239
TW17-25, TW17-35	DRAIN PAN (VENTURI)	20873500	\$239
TW17-45, TW17-55, TW18-65	DRAIN PAN (VENTURI)	20874600	\$459
TW17-75, 18-85, TW17-105, TW18-120	DRAIN PAN (VENTURI)	10574400	\$492
TW17-150,180	DRAIN PAN (VENTURI)	NLA	-
TW17-9	FAN BLADES, 8" DIAM., 20° PITCH, CCW, HUBLESS	204395008	\$75
TW17-12, TW17-18	FAN BLADES, 8" DIAM., 31° PITCH, CCW , HUBLESS	204395010	\$75
TW17-25, TW17-35	FAN BLADES, 10" DIAM., 20° PITCH, CW , HUBLESS	204395015	\$80
TW17-45	FAN BLADES, 12" DIAM., 18° PITCH, CCW , 5/16" BORE	214118000	\$239
TW17-55	FAN BLADES, 12" DIAM., 23° PITCH, CCW , 5/16" BORE	08221169	\$114
TW18-65	FAN BLADES, 12" DIAM., 23° PITCH, CCW , 5/16" BORE	08221169	\$114
TW17-75, TW18-85, TW17-105, TW18-120	FAN BLADES, 16" DIAM., 16° PITCH, CCW , 1/2" BORE	11904	\$323
TW17-150, TW27-300	FAN BLADES, 18" DIAM., 18° PITCH, CCW , 1/2" BORE	NLA	-
TW17-180	FAN BLADES, 18" DIAM., 18° PITCH, CCW , 1/2" BORE	NLA	-
TW27-240	FAN BLADES, 16" DIAM., 23° PITCH, CCW , 1/2" BORE	NLA	-
TW17-9, TW17-12, TW17-18	FAN GUARD, PLASTIC, 8"	206569000	\$138
TW17-25, TW17-35	FAN GUARD, WIRE, EPOXY COATED , 10", (WHITE)	08397053	\$147
TW17-45, TW17-55, TW18-65	FAN GUARD, WIRE, EPOXY COATED , 12"	201006011	\$147
TW17-75, TW18-85, TW17-105, TW18-120, TW27-240	FAN GUARD, WIRE, EPOXY COATED , 16"	201006004	\$199
TW17-150 THRU TW27-300	FAN GUARD, WIRE, EPOXY COATED , 18"	NLA	-
TW17-9, TW17-12	MOTOR, SHADED POLE, 4 WATT,1550 RPM, 115 V. (USE 103104004)	NLA	-
	EVAP MTR, ECM , 16 W, 1550 RPM, 115v	107933006	1034
TW17-18, TW17-25, TW17-35	MOTOR, SHADED POLE, 9 WATT, 1550 RPM, 115 V.	103104004	\$246
	MOTOR, SHADED POLE, 9 WATT, 1550 RPM, 230 V.	103104005	\$246
	MOTOR, ECM , 16 WATT, 1550 RPM, 115V	107933006	1034
	MOTOR, ECM , 16 WATT, 1550 RPM, 208-230V	107933003	1074
TW17-45, TW17-55, TW18-65	MOTOR, SHADED POLE, 1/20 HP, 1550 RPM, 115 V.	08216072	\$317
	MOTOR, SHADED POLE, 1/20 HP, 1550 RPM, 230 V.	08216071	\$317
	MOTOR, ECM , 1/30 HP, 1550 RPM, 115V	08216126	1208
	MOTOR, ECM , 1/30 HP, 1550 RPM, 230V	08216127	1261
TW17-75, TW18-85, TW17-105, TW18-120, TW27-240	MOTOR, SHADED POLE KIT, 1/12 HP, 1050 RPM, 115 V.	08216119	\$889
	SHADED POLE MOTOR ASSY, 1/12 HP, 115-230V	08522774	\$1,199
TW17-150, TW17-180, TW27-300	MOTOR, SHADED POLE, 1/6 HP, 1050 RPM, 115/230/1 V.	NLA	-
TW17-9, TW17-12	MOTOR MOUNT (SPECIFY UNIT MODEL AND SERIAL NUMBERS WHEN ORDERING)	NLA	-
TW17-18	MOTOR MOUNT (SPECIFY UNIT MODEL AND SERIAL NUMBERS WHEN ORDERING)	10870202	\$1,034
TW17-25	MOTOR MOUNT (SPECIFY UNIT MODEL AND SERIAL NUMBERS WHEN ORDERING)	10873801	\$1,074
TW17-35	MOTOR MOUNT (SPECIFY UNIT MODEL AND SERIAL NUMBERS WHEN ORDERING)	10873802	\$113
TW17-45	MOTOR MOUNT (SPECIFY UNIT MODEL AND SERIAL NUMBERS WHEN ORDERING)	10874700	\$64
TW17-55, TW18-65	MOTOR MOUNT (SPECIFY UNIT MODEL AND SERIAL NUMBERS WHEN ORDERING)	10874800	\$195
TW17-75 THRU TW17-180	MOTOR MOUNT (SPECIFY UNIT MODEL AND SERIAL NUMBERS WHEN ORDERING)	10019700	\$229
TW27-210 THRU TW27-240	MOTOR MOUNT (SPECIFY UNIT MODEL AND SERIAL NUMBERS WHEN ORDERING)	10101200	-
TW27-300	MOTOR MOUNT (SPECIFY UNIT MODEL AND SERIAL NUMBERS WHEN ORDERING)	10575000	-

NLA - NO LONGER AVAILABLE

WALL TEMP - MODELS WA

MODEL NUMBER	DESCRIPTION	PART NUMBER	LIST PRICE
WA17-6	DRAIN PAN (VENTURI)	105633001	\$235
	FAN BLADES, 8" DIAM., 20° PITCH, CCW , HUBLESS	204395008	\$75
	FAN GUARD, PLASTIC, 8"	206569000	\$138
	MOTOR, SHADED POLE, 4 WATT,1550 RPM, 115 V. (USE 103104004)	NLA	-
	MOTOR, ECM , 16 WATT, 1550 RPM, 115V	107933006	1034
WA17-9	DRAIN PAN (VENTURI)	105633001	\$235
	FAN BLADES, 8" DIAM., 20° PITCH, CCW , HUBLESS	204395008	\$75
	FAN GUARD, PLASTIC, 8"	206569000	\$138
WA17-12, WA17-18	DRAIN PAN (VENTURI)	105633002	\$235
	FAN BLADES, 8" DIAM., 31° PITCH, CCW , HUBLESS	204395010	\$75
	FAN GUARD, PLASTIC, 8"	206569000	\$138
MOTORS: WA17-9, WA17-12, WA17-18	MOTOR, SHADED POLE, 9 WATT, 1550 RPM, 115 V.	103104004	\$246
	MOTOR, SHADED POLE, 9 WATT, 1550 RPM, 230 V.	103104005	\$246
	MOTOR, ECM , 16 WATT, 1550 RPM, 115V	107933006	1034
	MOTOR, ECM , 16 WATT, 1550 RPM, 208-230V	107933003	1074
WA17-25, WA17-35	DRAIN PAN (VENTURI)	20192600	\$246
	FAN BLADES, 10" DIAM., 20° PITCH, CCW , 5/16" BORE	204395016	\$80
	FAN GUARD, WIRE, EPOXY COATED, 10", (WHITE)	08397053	\$147
	MOTOR, SHADED POLE, 1/20 HP, 1550 RPM, 115 V.	08216072	\$317
	MOTOR, SHADED POLE, 1/20 HP, 1550 RPM, 230 V.	08216071	\$317
	MOTOR, ECM , 1/30 HP, 1550 RPM, 115V	08216126	1208
	MOTOR, ECM , 1/30 HP, 1550 RPM, 230V	08216127	1261
WA17-45	DRAIN PAN (VENTURI)	105633004	\$277
	FAN BLADES, 12" DIAM., 23° PITCH, CCW , 1/2" BORE	11860	\$239
	FAN GUARD, WIRE, EPOXY COATED, BLUE, 12"	201006011	\$147
	MOTOR ASSY., 1/12 HP, 115/230 V.	08522774	\$1,199
	MOTOR, SHADED POLE, 1/12 HP, 1050 RPM, 115/230 V.	08286119	\$893

WEDGE TEMP - MODELS WE

WE17-12	DRAIN PAN (VENTURI)	20193200	\$459
	FAN BLADES, 8" DIAM., 31° PITCH, CCW , HUBLESS	204395010	\$75
	FAN GUARD, PLASTIC, 8"	206569000	\$138
	MOTOR, SHADED POLE, 4 WATT,1550 RPM, 115 V. (USE 103104004)	NLA	-
WE17-15	DRAIN PAN (VENTURI)	20193200	\$459
	FAN BLADES, 8" DIAM., 31° PITCH, CCW , HUBLESS	204395010	\$75
	FAN GUARD, PLASTIC, 8"	206569000	\$138
	MOTOR, SHADED POLE, 9 WATT, 1550 RPM, 115 V.	103104004	\$246
WE17-18	DRAIN PAN (VENTURI)	20193000	\$459
	FAN BLADES, 8" DIAM., 31° PITCH, CCW , HUBLESS	204395010	\$75
	FAN GUARD, PLASTIC, 8"	206569000	\$138
	MOTOR, SHADED POLE, 9 WATT, 1550 RPM, 115 V.	103104004	\$246
WE17-25	DRAIN PAN (VENTURI)	20192600	\$246
	FAN BLADES, 10" DIAM., 20° PITCH, CCW, HUBLESS	103104005	\$246
	FAN GUARD, WIRE, EPOXY COATED, 10"	105633003	\$521
	MOTOR, SHADED POLE, 9 WATT, 1550 RPM, 115 V.	204395016	\$80
WE17-35	DRAIN PAN (VENTURI)	08397053	\$147
	FAN BLADES, 10" DIAM., 31° PITCH, CCW , HUBLESS	103104004	\$246
	FAN GUARD, WIRE, EPOXY COATED, 10"	20192600	\$246
	MOTOR, SHADED POLE, 9 WATT, 1550 RPM, 230 V.	20192400	\$521
WE17-45, WE18-55	DRAIN PAN (VENTURI)	204395018	\$80
	FAN BLADES, 12" DIAM., 23° PITCH, CCW , 5/16" BORE	08397053	\$147
	FAN GUARD, WIRE, EPOXY COATED, 12"	103104007	\$293
	MOTOR, SHADED POLE, 16 WATT, 1550 RPM, 115 V.	103104008	\$293
EC MOTORS: WE17-12, -15,-18, -25, -35	MOTOR, ECM , 16 WATT, 1550 RPM, 115V	107933006	1034
	MOTOR, ECM , 16 WATT, 1550 RPM, 208-230V	107933003	1074
WE17-45, WE18-55	DRAIN PAN (VENTURI)	20194000	\$558
	FAN BLADES, 12" DIAM., 23° PITCH, CCW , 5/16" BORE	08221169	\$114
	FAN GUARD, WIRE, EPOXY COATED, 12"	201006011	\$147
	MOTOR, SHADED POLE, 1/20 HP, 1550 RPM, 115 V.	08216072	\$317
	MOTOR, SHADED POLE, 1/20 HP, 1550 RPM, 230 V.	08216071	\$317
	MOTOR, ECM , 1/30 HP, 1550 RPM, 115V	08216126	1208
	MOTOR, ECM , 1/30 HP, 1550 RPM, 230v	08216127	1261
NOTE: CHECK "CS" FOR STYLE OF 1/20 HP MOTOR FOR WE-17-45, 18-55, AND 28-110			
WE28-110	DRAIN PAN / VENTURI (220061 OR 220061BLK)	NLA	-
	FAN BLADES, 12" DIAM., 19° PITCH, CCW , 5/16" BORE	11860	\$239
	FAN GUARD, WIRE, EPOXY COATED, 12"	201006011	\$147
	MOTOR, SHADED POLE, 1/20 HP, 1550 RPM, 115 V.	102540001	\$317
	MOTOR, SHADED POLE, 1/20 HP, 1550 RPM, 230 V.	102540002	\$344

MULTICON AIR COOLED CONDENSERS - Common Parts

MODEL NUMBER	DESCRIPTION	PART NUMBER	LIST PRICE
COMMON PARTS	Disconnect, thru the door, 30A	08218990	\$848
	Disconnect, thru the door, 60A	08218991	\$1,012
	Disconnect, thru the door, 80A	08218992	\$1,337
	Disconnect, thru the door, 100A	08218993	\$1,432
	Disconnect, thru the door, 30A, 18"/ 22" fans	08218379	\$669
	Contactora, 3P, 25-30A, 24V control	08219028	\$145
	Contactora, 3P, 25-30A, 115V control	08219002	\$145
	Contactora, 3P, 25-30A, 208-230V control	08219018	\$157
	Contactora, 3P, 25-30A, 460V control	08219012	\$162
	Contactora, NEMA1,3P,27A,208-230V control	104461733	\$1,076
	Fan Cycling, Pressure, Standard, R12,R22,R404A,R134A	08219003	\$583
	Fan Cycling, Ambient, Standard, R12,R22,R404A,R134A	08219006	\$259
	Fan Cycling, Pressure, R410A	08219463	\$650
	P66, Single Tap, R22/R404	08219427	\$1,719
	P66, Dual Tap, R22/R404	08219429	\$2,691
	P66, Single Tap, R134A	08219437	\$1,526
	P66, Single Tap,R410A	08219461	\$2,386
	P66,Dual Tap, R410A	08219462	\$3,317
	Shut Off Valve (P66 and Pressure cycling)	08356559	\$271

SMALL AIR COOLED CONDENSERS - MODELS RDS

MODEL NUMBER	DESCRIPTION	PART NUMBER	LIST PRICE	
Models 001 thru 011	MOTOR, .33 HP, 1140RPM, 208-230/3/60/50	08216106	\$778	
	MOTOR, PSC, .33 HP, 1140RPM, 208-230/1/60/50	205051004	\$594	
	5 MFD CAPACITOR FOR MOTOR 205051004	202163004	\$70	
	FAN BLADE, 22" DIA., 28° PITCH, 5/8" bore.	08221154	\$199	
	MOTOR, PSC, .33 HP, 1140 RPM, 208-230/1/60/50 for use with P-66	08216008	\$964	
	15 MFD CAPACITOR FOR MOTOR 008216008	08352607	\$77	
	MOTOR,.33 HP, 1140 RPM, 460/3/60/50	08216107	\$1,289	
	MOTOR, PSC, .33 HP, 1140 RPM, 460/1/60/50 for use with P-66	08216009	\$990	
	15 MFD CAPACITOR FOR MOTOR 08216009	08352607	\$77	
	MOTOR, .25 HP, 850 RPM, 208-230/460/3/60/50	08216075	\$1,819	
	MOTOR, PSC, .25 HP, 850 RPM, 208-230/1/60/50 (Cap. On motor)	08216076	\$1,541	
	MOTOR, TOTALLY ENCL., 1/2 HP, 1140 RPM, 208-230/460/3/60/50	08352607	\$77	
	MOTOR, PSC, TOT. ENCL., 1/2 HP, 1140 RPM, 208-230//460/1/60/50	08216081	\$1,460	
	MOTOR MOUNT FOR .33 HP MOTORS	08397056	\$310	
	MOTOR MOUNT FOR .25 HP MOTOR 08216075 & 08216046 WITH 22" FAN	08519019	\$310	
	MOTOR MOUNT FOR .25 HP MOTOR 08216075 & 08216046 WITH 18" FAN	08519022	\$310	
	FAN GUARD, 18" DIAM., EPOXY COATED WIRE.	08397011	\$191	
	FAN GUARD, 22" DIAM., EPOXY COATED WIRE.	08397012	\$228	
	MODELS 001 & 002	FAN BLADE, 18" DIAM., 34° PITCH, CW, 5/8" BORE (for 1140 RPM MTRS)	08221022	\$202
	MODELS 003 thru 011	FAN BLADE, 22" DIAM., 28° PITCH, 1/2" BORE (for 1140 RPM MTRS)	08221154	\$199
MODELS 001 & 002	FAN BLADE, 18" DIAM., 34° PITCH, CW, 1/28" BORE (for 850 RPM MTRS)	08221076	\$196	
MODELS 003 thru 009	FAN BLADE, 22" DIAM., 28° PITCH, 5/8" BORE. (for 850 RPM MTRS)	08221023	\$199	

LARGE AIR COOLED CONDENSERS - MODELS RDS/RDD

MODEL NUMBER	DESCRIPTION	PART NUMBER	LIST PRICE
1140 RPM MODELS RDS009 THRU RDD229	MOTOR, 1.5 HP, 1140 RPM, 208-230/460/3/60/50	110204000	\$2,505
	MOTOR, 1.5 HP, 1140 RPM, 575/3/60	118570001	\$3,738
	MOTOR, TOTALLY ENCLOSED, 1.5 HP, 1140 RPM, 208/230/3/60/50	08216154	\$4,198
	FAN BLADE, 30" DIAM., 24° PITCH, 4 BLADE, CW, 5/8 BORE	08221151	\$783
	MOTOR, 1.0 HP, 1140 RPM, 208-230/1/60/50 (USE WITH P-66 CONTROLLER)	08216098	\$3,489
	30 MFD CAPACITOR FOR MOTOR 008216098 (USE WITH P-66 CONT)	08352555	\$112
	FAN BLADE, 30" DIAM., 21° PITCH, 3 BLADE, CW, 5/8 BORE (USE WITH P-66)	08221180	\$647
	MOUNT FOR 1140 RPM MOTORS ABOVE	08522568	\$691
	FAN GUARD, 30" DIAM., EPOXY COATED WIRE.	08221151	\$783
	FAN GUARD, 30" DIAM., EPOXY COATED WIRE.	08221151	\$783
850 RPM MODELS RDS009 THRU RDD213	MOTOR, 1.5 HP, 850 RPM, 208-230/460/3/60/50	08216100	\$3,489
	FAN BLADE, 30" DIAM., 31° PITCH, 5 BLADE, CW, 5/8 BORE (use with 08216100)	08221152	\$434
	MOTOR, 1.0 HP, 850 RPM, 208-230/460/3/60/50	114105000	\$3,489
	MOTOR, 1.0 HP, 850 RPM, 575/3/60	114105002	\$4,261
	MOTOR, 1.0 HP, 850 RPM, 380/3/60	114105001	\$3,665
	FAN BLADE, 30" DIAM., 28° PITCH, 4 BLADE, CW, 5/8 BORE (for 1 HP's above)	08221151	\$783
	MOUNT FOR 850 RPM MOTORS ABOVE	08522568	\$691
FAN GUARD, 30" DIAM., EPOXY COATED WIRE.	08397044	\$322	
550 RPM MODELS RDS008 THRU RDD158	MOTOR, 1/3 HP, 550 RPM, 208-230/460/3/60/50	119226000	\$1,933
	METAL FAN BLADE, 30" DIAM., 31° PITCH, 5 BLADE, CW, 5/8 BORE	08221152	\$434
	SWEPT WING FAN, 30" DIAM., 25° PITCH, CW, 1/2 BORE	08221181	\$783
	FAN BLADE, 30" FB II	121424000	\$1,099
	MOUNT FOR 550 RPM MOTORS ABOVE	08522568	\$691
	FAN GUARD, 30" DIAM., EPOXY COATED WIRE. (Not for FB II)	08397044	\$322
	FAN GUARD, 30" DIAM. FOR FB II FANS	119397000	\$209
SHEET METAL STACK FOR FB II FANS	08518318	\$322	
VSEC MODELS RDS011 THRU 250	ELECTRONICALLY COMMUTATED MOTOR & FAN ASSEMBLY, 460/3/60	08216161	\$12,850
	ELECTRONICALLY COMMUTATED MOTOR & FAN ASSEMBLY, 208-230/3/60	C/F	C/F

MULTICON AIR COOLED CONDENSERS - MODELS VAC, VEQ (1 - 4)

MODEL NUMBER	DESCRIPTION	PART NUMBER	LIST PRICE
VAC 1 - 2 & VEQ 1 - 2	FAN BLADES, 16" DIAM., 34° PITCH, CW, 5/8" BORE	08221022	\$202
VAC 4 & VEQ 3	FAN BLADES, 22" DIAM., 28° PITCH, CW, 5/8" BORE	08221023	\$199
VAC 1 - 2 & VEQ 1 - 2	FAN GUARD, WIRE, EPOXY COATED, 16"	08397006	\$153
VAC 4 & VEQ 3	FAN GUARD, WIRE, EPOXY COATED, 22"	08397012	\$228
VAC 1 - 4	MOTOR, SHADED POLE, 1/2 HP, 1140 RPM, 208-230/460/1	08216006	\$1,171
VAC 1 - 4	MOTOR, SHADED POLE, 1/2 HP, 1140 RPM, 208-230/460/3	08216007	\$2,054
VEQ 1 & 3	MOTOR, SHADED POLE, 1/4 HP, 825 RPM, 208-230/460/1	08216076	\$1,541
VEQ 2 & 3	MOTOR, SHADED POLE, 1/4 HP, 825 RPM, 208-230/460/3	08216075	\$1,819

MULTICON AIR COOLED CONDENSERS AND FLUID COOLERS - MODELS VAC, VEQ, FVAC

VAC, AND FVAC 5 THRU 19	FAN BLADES, 24" DIAM., 30° PITCH, CW, 1/2 " BORE (Replaces Part Number 213455000)	08221050	\$492
	FAN GUARD, WIRE, EPOXY COATED, 24"	202136001	\$722
	MOTOR, PSC, 3/4 HP, 1075RPM, 208-230/60/1	205051009	\$1,564
	MOTOR, PSC, 3/4 HP, 1075RPM, 460/1/60	205051002	\$1,722
	MOTOR, 3/4 HP, 1140 RPM, 230/460/3/60	205051012	\$2,567
	MOTOR, PSC, 1/2 HP, 1075RPM, 575/1/60	115952000	\$1,410
	MOTOR MOUNT, 24"	205269000	\$348
	CAPACITOR, 7.5 MFD, 208/1/60 MOTORS ONLY	202163006	\$77
VAC AND FVAC 22 THRU 216	CAPACITOR, 5 MFD, 230/460/1/60 MOTORS ONLY (Replaces Part Number 202163007)	202163004	\$70
	FAN BLADES, 30" DIAM., 24° PITCH, CW, 5/8" BORE (Replaces Part Number 210385000)	08221151	\$783
	FAN GUARD, WIRE, EPOXY COATED, 30"	202136011	\$283
	MOTOR, 1-1/2 HP, 1140 RPM, 208-230/460/3/60	110204000	\$2,505
	MOTOR, 1-1/2 HP, 1140 RPM, 575/3/60	118570001	\$3,738
VEQ 21 thru VEQ 189	MOTOR MOUNT, 30"	125215001	\$691
	FAN BLADES, 30" DIAM., 24° PITCH, CW, 5/8" BORE (Replaces Part Number 210385000)	08221151	\$783
	FAN GUARD, WIRE, EPOXY COATED, BLACK, 30"	202136011	\$283
	MOTOR, 1 HP, 850 RPM, 208-230/460/3/60	114105000	\$3,489
	MOTOR MOUNT, 30"	125215001	\$691

AIR COOLED CONDENSERS, ACE

ALL MODELS	MOTOR, 1/3 HP, 550 RPM, 208-230/460/3/60/50	119226000	\$1,933
	METAL FAN BLADE, 30" DIAM., 31° PITCH, 5 BLADE, CW, 5/8 BORE	08221152	\$434
	SWEPT WING FAN, 30" DIAM., 25° PITCH, CW, 1/2 BORE	08221181	\$783
	FAN BLADE, 30" FB II	121424000	\$1,099
	MOUNT FOR 550 RPM MOTORS ABOVE	08522568	\$691
	FAN GUARD, 30" DIAM., EPOXY COATED WIRE. (Not for FB II)	08397044	\$322
	FAN GUARD, 30" DIAM. FOR FB II FANS	119397000	\$209
	SHEET METAL STACK FOR FB II FANS	08518318	\$322

MULTICON AIR COOLED CONDENSERS AND FLUID COOLERS - MODELS RAC, FRAC

RAC, & FRAC 3/4 TO 1	FAN BLADES, 16" DIAM., 27° PITCH, CW, 1/2 " BORE	11905	\$296
RAC & FRAC 1-1/2 THRU 3	FAN BLADES, 20" DIAM., 27° PITCH, CW, 1/2 " BORE	214040000	\$432
RAC & FRAC 3/4 TO 1	FAN GUARD, WIRE, EPOXY COATED, 16"	201006004	\$199
RAC & FRAC 1-1/2 TO 3	FAN GUARD, WIRE, EPOXY COATED, 20"	201006007	\$353
ALL MODELS	MOTOR, SHADED POLE, 1/6 HP, 1050 RPM, 115/208-230/1	08216025	NLA

MULTICON AIR COOLED CONDENSERS AND FLUID COOLERS - MODELS TD, FTD

ALL MODELS	CAPACITOR, ALL MOTORS, 5 MFD, 208-230/460/1/60	202163004	\$70
ALL MODELS	FAN BLADES, 24" DIAM., 30° PITCH, CW, 1/2 " BORE (Replaces Part Number 213455000)	08221050	\$492
ALL MODELS	FAN GUARD, WIRE, EPOXY COATED, 24"	202136001	\$722
ALL MODELS	MOTOR, PSC, 3/4 HP, 1075RPM, 208-230/1/60	205051009	\$1,564
ALL MODELS	MOTOR, PSC, 3/4 HP, 1075RPM, 460/1/60	205051002	\$1,722
ALL MODELS	MOTOR MOUNT, 24"	205269000	\$348

SMALL AIR COOLED CONDENSERS - MODELS ACS, ACL

ALL MODELS	FAN BLADES, 22" DIAM., 29° PITCH, CW, 1/2 " BORE	08221154	\$199
	FAN CYCLING CONTROL, PRESSURE	08219003	\$583
	FAN CYCLING CONTROL, AMBIENT	08219006	\$259
	P-66 FAN SPEED CONTROL, SINGLE PORT	08219427	\$1,719
	P-66 FAN SPEED CONTROL, DUAL PORT	08219429	\$2,691
	P-66 FAN SPEED CONTROL	08219437	\$1,526
	CONTACTOR, 24 VOLT COIL, 3 POLE	08219028	\$145
	CONTACTOR, 115 VOLT COIL, 3 POLE	08219002	\$145
	CONTACTOR, 208-230 VOLT COIL, 3 POLE	08219018	\$157
	CONTACTOR, 460 VOLT COIL, 3 POLE	08219012	\$162
	TRANSFORMER, 208-230 TO 24V	08218258	\$102
	TRANSFORMER, 480 TO 24V	08218259	\$108
	MOTOR MOUNT, 22"	08397056	\$310
	ACS 001 THRU 012	MOTOR, PSC, 1/3 HP, 208-230/1, 1075 RPM, CW††	08216089
MOTOR, PSC, 1/3 HP, 208-230/3, 1075 RPM, CW††		08216106	\$778
MOTOR, PSC, 1/3 HP, 460/1, 1075 RPM, CW††		08216088	\$897
MOTOR, PSC, 1/3 HP, 460/3, 1075 RPM, CW††		08216107	\$1,289
MOTOR, PSC, 1/2 HP, 230-460/3, 1075 RPM, CW††		08216068	\$1,746
MOTOR, PSC, 1/2 HP, 575/1, 1075 RPM, CW††		08216036	\$1,377
CAPACITOR(LOOSE) 208-230 OR 460 MOTORS, 7.5 MFD		08216057	\$46
ACS 001 THRU 012	MOTOR, PSC, 1/2 HP, 208-230/460/1, 1075 RPM†	08216006	\$1,171
	MOTOR, REV, 1/2 HP, 208-230/460/3, 1125 RPM, 5/8 SHAFT†	08216007	\$2,054
ACL 001 THRU 011	MOTOR, REV, 1/4 HP, 208-230/460/3, 825 RPM, 5/8 SHAFT†	08216075	\$1,819
	MOTOR, PSC, 1/4 HP, 208-230/460/1, 825 RPM, 5/8 SHAFT†	08216076	\$1,541
ACS, ACL 001 THRU 002	FAN GUARD, WIRE, EPOXY COATED, 18"	08397011	\$191
	MOTOR RAIL 25" (18" FAN)	08519022	\$310
ACS, ACL 003 THRU 012	FAN GUARD, WIRE, EPOXY COATED, 22"	08397012	\$228
	MOTOR RAIL 30" (22" FAN)	08519019	\$310

† FOR USE WITH P-66 FAN SPEED CONTROL MOTOR ONLY

‡ CAPACITOR REQUIRED

MULTICON COMPUTER ROOM AIR COOLED CONDENSER - MODELS CAC

MODEL NUMBER	DESCRIPTION	PART NUMBER	LIST PRICE
CAC 5 THRU CAC 80	FAN BLADES, 24" DIAM., 30° PITCH, CW, 1/2" BORE (Replaces Part Number 213455000)	08221050	\$492
	FAN GUARD, WIRE, EPOXY COATED, 24", BLACK	202136005	\$722
	MOTOR, (HEADER END VARI-SPEED), PSC, 3/4 HP, 1075RPM, 208-230/60/1	205051015	\$1,912
	CAPACITOR, 15 MFD, (FOR 208/230/1/60 VARI-SPEED MOTOR)	08352607	\$77
	MOTOR, (NON-HEADER END), PSC, 3/4 HP, 1075 RPM, 208-230/60/1	205051009	\$1,564
	CAPACITOR, 5 MFD, 230/460/1/60 NON VARI-SPEED MOTORS ONLY	202163004	\$70
	MOTOR, (HEADER END VARI-SPEED), PSC, 3/4 HP, 1075 RPM, 460/60/1 (CAP not included)	205051016	\$2,070
	CAPACITOR, 15 MFD, (FOR 460/1/60 VARI-SPEED MOTOR)	08352607	\$77
	MOTOR, (NON-HEADER END), PSC, 3/4 HP, 1075 RPM, 460/60/1 (CAP not included)	205051002	\$1,722
	CAPACITOR, 5 MFD, 230/460/1/60 NON VARI-SPEED MOTORS ONLY	202163004	\$70
	MOTOR MOUNT, 24", ALL CAC MODELS	205269000	\$348
CBC 27 THRU CBC 164	FAN, (HEADER END ONLY) 24" DIAM., 30° PITCH, CW, 1/2" BORE (Replaces 213455000)	08221050	\$492
	FAN, (NON-HEADER END) 30" DIAM., 24° PITCH, CW, 5/8" BORE (Replaces 210385000)	08221151	\$783
	FAN GUARD, WIRE, EPOXY COATED, 24", BLACK	202136005	\$722
	FAN GUARD, WIRE, EPOXY COATED, 30", BLACK	202136011	\$283
	MOTOR, (HEADER END VARI-SPEED), PSC, 3/4 HP, 1075 RPM, 208-230/60/1	205051015	\$1,912
	MOTOR, (NON-HEADER END), 1-1/2 HP, 1075 RPM, 208-230/460/60/3	110204000	\$2,505
	MOTOR, (HEADER END VARI-SPEED), PSC, 3/4 HP, 1075 RPM, 460/60/1	205051016	\$2,070
	MOTOR MOUNT, (HEADER END), 24"	205269000	\$348
	MOTOR MOUNT, (NON-HEADER END), 30"	125215001	\$691
ALL CAC/CBC MODELS	MOTOR SPEED CONTROLLER, SINGLE INPUT, 208-230/460/1/60 (P66AAB-6)	204464043	\$2,048
ALL CAC/CBC MODELS	MOTOR SPEED CONTROLLER, DUAL INPUT, 208-230/460/1/60 (P66BAB-3)	204464044	\$2,146
ALL MODELS	TRANSFORMER, CONTROL VOLTAGE, PRIMARY 230 V, SECONDARY 24 V	104532008	\$604
	TRANSFORMER, CONTROL VOLTAGE, PRIMARY 460 V, SECONDARY 24 V	104532021	\$604

NEXT-GEN R-SERIES MINICON - RFH, RFO, RBH, RBO, RVH, RVO

Next Gen "R" SERIES Minicon - after 11-2015 - ALL MODELS	FIXED LOW CUT OUT CONTROL - HIGH/MED TEMP MODELS	204464232	\$477
	HIGH CUT OUT CONTROL AUTO RESET - ALL MODELS	08219424	\$146
	ADJUSTABLE LOW CUT OUT CONTROL - STANDARD ON LOW TEMP MODELS	08219422	\$477
Next Gen "R" SERIES Minicon - after 11-2015 1/2 THRU 3-1/2 HP MODELS WITH 12" FANS	FAN BLADE, 12" DIAM., 24° PITCH, CCW FOR UNITS WITH PSC MOTORS	08221169	\$114
	FAN BLADE, 12" DIAM., 24° PITCH, CCW FOR UNITS WITH EC MOTORS	08221176	\$113
	MOTOR MOUNT FOR PSC MOTORS WITH 12" FANS	21062000	\$203
	MOTOR MOUNT FOR EC MOTORS WITH 12" FANS	08397068	\$279
	MOTOR, PSC, 1/20 HP, 1550 RPM, 230 V., (CAPACITOR IS PRE-MOUNTED)	08216073	\$495
	MOTOR, PSC, 1/20 HP, 1550 RPM, 460 V., (CAPACITOR IS PRE-MOUNTED)	08216135	\$647
	MOTOR, EC, 50W, 1550 RPM, 230 V	08216125	1000
	GRILLE, WIRE, BLACK, 16.88" X 15.75"	08397064	\$439
	GRILLE, WIRE, BLACK, 16.88" X 27.75"	08397065	\$492
	GRILLE, WIRE, BLACK, 19.38" X 27.75"	08397066	\$492
	DISCHARGE T-STAT FOR 3/8" DISCHARGE LINE	08352253	\$392
	DISCHARGE T-STAT FOR 1/2" DISCHARGE LINE	118431442	\$316
	FAN BLADE, 24" DIAM., 28° PITCH, CCW FOR PSC AND EC MOTORS	213266000	\$492
	MOTOR MOUNT - WIRE, 24" FOR PSC AND EC MOTORS	212837000	\$334
	MOTOR, PSC, 1/3 HP, 1075 RPM, 208-230/1	205051004	\$594
MOTOR, PSC, 3/4 HP, 1075 RPM, 460/1	205051002	\$1,722	
Next Gen "R" SERIES Minicon - after 11-2015 3 THRU 6 HP MODELS WITH A 24" FAN	MOTOR, EC, 3/4 HP, 1075RPM, 208-230/1	08216132	1912
	CAPACITOR, 5 MFD, 230/460/1/60 PSC MOTORS ONLY	202163004	\$70
	GRILLE, WIRE, BLACK, 33.14" X 30.13"	08397067	\$566
	DISCHARGE T-STAT FOR 5/8" DISCHARGE LINE	08352256	\$392

**MINICON AIR COOLED CONDENSING UNITS (1/2 - 6 HP)
MODELS M*H, M*S, M*O, M*D, R*H, R*S, R*O, R*D**

MODEL NUMBER	DESCRIPTION	PART NUMBER	LIST PRICE
1/2 THRU 2 HP MODELS BUILT BEFORE 10 / 2002	FAN BLADE, 12" DIAM., 24° PITCH, CW (Replaces 107943000)	08221153	\$119
	FAN GUARD, WIRE, EPOXY COATED, WHITE., 12" (INDOOR MODELS ONLY) †	08397040	\$173
	FAN GUARD, WIRE, EPOXY COATED, BLACK, 12" (INDOOR MODELS ONLY) †	201006011	\$147
	MOTOR, SHADED POLE, 1/20 HP, 1550 RPM, 230/1 (Replaces 10254004)	08216071	\$317
	MOTOR, SHADED POLE, 1/20 HP, 1550 RPM, 230/1	08216071	\$317
	OUTDOOR HOUSING	OH-MC1	\$1,235
	MOTOR MOUNT (OUTDOOR MODELS)	21062000	\$203
	MOTOR MOUNT (OUTDOOR MODELS) - S100M / H201M MODELS BEFORE 6/01	21279300	\$203
"R" SERIES 1/2 THRU 3 HP MODELS BUILT 10 / 2002 AND AFTER AND 2 - 3 HP SCROLLS BUILT AFTER 4 / 2003	FAN BLADE, 12" DIAM., 24° PITCH, CCW	119103001	\$119
	FAN GUARD, WIRE, EPOXY COATED, 12" (INDOOR MODELS ONLY)	123334000	\$267
	GRILLE, WIRE, EPOXY COATED, 15" (OUTDOOR MODELS ONLY)	123064000	\$112
	FIXED LOW CUT OUT CONTROL - HIGH/MED TEMP MODELS (EXCEPT "CR" COMP'S)	204464232	\$477
	HIGH CUT OUT CONTROL - ALL MODELS	204464208	\$372
	MOTOR MOUNT (OUTDOOR MODELS)	21062000	\$203
	MOTOR, SHADED POLE, 1/20 HP, 1550 RPM, 230/1	108178002	\$495
	MOTOR, SHADED POLE, 1/20 HP, 1550 RPM, 460/1	102540005	\$472
	MOTOR, PSC, 1/20 HP, 1550 RPM, 230 V., (2 MFD CAPACITOR NOT INCLUDED)	108178002	\$495
	CAPACITOR, 2 MFD, FOR 1/20 230 V. PSC MOTOR	202163009	\$77
	MOTOR, ECM, 1/8 HP, 1075 RPM, CCW, 230V	08216129	\$1,491
2-1/2 THRU 3 HP MODELS BUILT AFTER 4 / 2003	FAN BLADE, 20" DIAM., 18° PITCH, CW	214040000	\$432
	FAN GUARD, WIRE, EPOXY COATED, BLACK, 20" (INDOOR MODELS ONLY)	213484000	\$353
	MOTOR, SHADED POLE, 1/6 HP, 1050 RPM, 230/1 (UNITS BUILT BEFORE MAR. 31, 2001)	08216025	NLA
	MOTOR, PSC, 1/3 HP, 1075 RPM, 208-230/1 (UNITS BUILT AFTER MAR. 31, 2001)	205051004	\$594
	MOTOR, ECM, 1/3 HP, 1075 RPM, CCW, 230V	08216131	1733
ALL 4 THRU 6 HP MODELS AND 2 - 3 HP SCROLLS BUILT BEFORE 4 / 2003	FAN BLADE, 20" DIAM., 29° PITCH, CW ‡	213156000	\$432
	FAN BLADE, 24" DIAM., 28° PITCH, CCW (R-SERIES ONLY)	213266000	\$492
	FAN GUARD, WIRE, EPOXY COATED, BLACK, 20" (INDOOR MODELS ONLY)	213484000	\$353
	GRILLE, WIRE, EPOXY COATED, 30"	124027000	\$492
	MOTOR, PSC, 1/3 HP, 1075 RPM, 208-230/1	205051004	\$594
	MOTOR, PSC, 3/4 HP, 1075 RPM, 460/1	205051002	\$1,722
	MOTOR, ECM, 1/3 HP, 1075 RPM, CCW, 230V	08216131	1733
	CAPACITOR, 5MFD, 230/1 V. PSC MOTORS ONLY	202163004	\$70
	MOTOR MOUNT - WIRE, 24"	212837000	\$334
	MOTOR MOUNT - WIRE, 20" ‡	210225000	\$348
ALL MODELS 1/2 THRU 6 HP	ADJUSTABLE LOW CUT OUT CONTROL ‡ (STD ON "CR" COMP'S) (Replaces 204464021)	08219422	\$477
	HIGH CUT OUT CONTROL - ALL MODELS	204464208	\$372
	HIGH CUT OUT CONTROL ‡	204464049	\$372
	DISCHARGE T-STAT KIT (KLIXON STYLE)	118431442	\$316
	RELAY - DELAY, 90 sec, D.O.B., 230 V	104799010	\$190
	SEQUENCING RELAY - R2, DPDT, 30 AMP, 208/240 V, "ICE CUBE RELAY"	104799020	\$359

NOTES: CONTACT FACTORY FOR SIERRA AND HIGH SIERRA PARTS

† - NOT AVAILABLE FOR "P" REVISION MODELS

‡ - EXCLUDES "R" SERIES UNITS. SEE "R" SERIES FOR REPLACEMENT

**NEXT-GEN II AIR COOLED CONDENSING UNITS (3 THRU 22 HP) - MODELS RFD, RFO, RFB, RBD,
RBO, RBB**

ALL MODELS	MOTOR, 3/4 HP, 1140 RPM, 48 FR, 230/3/60	08216205	\$2,135
ALL MODELS	MOTOR, 3/4 HP, 1140 RPM, 48FR, 460/3/60	08216206	\$1,815
ALL MODELS	MOTOR, 1/2 HP, 1075 RPM, 575/1/60	115952000	\$1,410
ALL MODELS	CAPACITOR, 7.5 MFD, 440V	202163006	\$77
ALL MODELS	FAN BLADE, 24" DIAM., 28° PITCH, CCW, 1/2" HUB	213266000	\$492
ALL MODELS	MOUNT, MOTOR, WIRE, 24", 3-LEG	212837000	\$334
ALL MODELS	PRESSURE CONTROL, DUAL HI/LO, FLARE	204464054	\$1,057

"D" STYLE AIR COOLED CONDENSING UNITS (3 THRU 22 HP) - MODELS DC, DE, DL, DS

MODEL NUMBER	DESCRIPTION	PART NUMBER	LIST PRICE
3L22, 3L52, 3L44, 3L57, 4L22, 4L44, 4L57, 5L22, 5L52, 5L44, 5L57, 6M44, 6L22, 6L52, 6L44, 6L57, 7H22, 7M52, 7M44, 7M57, 8H22, 8M52, 8M44, 8M57, 8L22, 8L44, 8L57, 9L22, 9L52, 9L44, 9L57, 10L22, 10L52, 10L44, 10L57, 12L22, 12L52, 12L44, 12L57	MOTOR, PSC, 1/3 HP, 1075 RPM, 208-230/1 V. (CAPACITOR NOT INCLUDED)	205051004	\$594
	MOTOR, PSC, 3/4 HP, 1075 RPM, 460/1 V. (CAPACITOR NOT INCLUDED)	205051002	\$1,722
	CAPACITOR, 7.5 MFD, 230/1 V. PSC MOTORS ONLY	202163006	\$77
	MOTOR, ECM , 1/3 HP, 1075 RPM, CCW, 230V/1	08216131	\$1,733
5H22, 5M22, 5M44, 5M57, 10H22, 10M52, 10M44, 10M57, 12H22, 12M44, 15H22, 15M52, 15L52, 15L22, 15L44, 15L57, 22L22, 22L52, 22L44, 22L57	MOTOR, PSC, 3/4 HP, 1075 RPM, 208-230/1 V. (CAPACITOR NOT INCLUDED)	205051009	\$1,564
	MOTOR, PSC, 3/4 HP, 1075 RPM, 460/1 V. (CAPACITOR NOT INCLUDED)	205051002	\$1,722
	MOTOR, PSC, 1/2 HP, 1075RPM, 575/1/60	115952000	\$1,410
	CAPACITOR, 5MFD, 230/1 V. PSC MOTORS ONLY	202163004	\$70
	MOTOR, ECM , 3/4 HP, 1075 RPM, CCW, 230V/1	08216132	\$1,912
ALL MODELS	CAPACITOR, 5MFD, 460/1 V. PSC MOTORS ONLY	202163004	\$70
VOLTAGE CODES C,D,E,F,G,M,N,Q	FAN BLADE, 24" DIAM., 28° PITCH, CCW, 1/2" HUB	213266000	\$492
VOLTAGE CODES C,D,E,F,G,M,N,Q	MOTOR MOUNT / FAN GUARD, 24", COMBINATION	204340000	\$389
VOLTAGE CODES H, J	MOTOR MOUNT, WIRE, 24", 3-LEG	212837000	\$334
ALL MODELS	CONTROL, DUAL HI/LO, CAP	204464041	\$895
ALL MODELS	OIL FAILURE CONTROL	204464009	NLA

"V" STYLE AIR COOLED CONDENSING UNITS (20 THRU 80 HP) - MODELS VC, VL, VS

ALL MODELS	FAN BLADES, 30" DIAM., 24° PITCH, CW, 5/8" BORE (Part replaced with 8221151)	210385000	NLA
ALL MODELS	FAN BLADES, 30" DIAM., 24° PITCH, 4 BLADE, CW, 5/8" BORE	08221151	\$783
ALL MODELS	FAN GUARD, WIRE, EPOXY COATED, 30" (Part replaced with 20136011)	202136006	NLA
ALL MODELS	FAN GUARD, WIRE, EPOXY COATED, 30"	202136011	\$283
ALL MODELS	MOTOR, 1-1/2 HP, 1140RPM, 208-230/460/60/3	110204000	\$2,505
ALL MODELS	MOTOR, 1-1/2 HP, 1140RPM, 575/3	118570001	\$3,738
ALL MODELS	KIT, MOTOR MOUNT, 30", KNCKDWN, VAC	125215001	\$691

RUSSETTE AIR COOLED CONDENSING UNITS (1/2 THRU 3 HP) - MODELS RC, RE, RS

ALL MODELS	FAN BLADES, 20" DIAM., 27° PITCH, CW, 1/2" BORE	214040000	432
ALL MODELS	FAN GUARD, WIRE, EPOXY COATED, BLACK, 20"	213484000	353
ALL MODELS	FAN GUARD, WIRE, EPOXY COATED, BLUE, 20"	201006007	353
ALL MODELS	MOTOR, SHADED POLE, 1/6 HP, 1050 RPM, 115V/230/1	08216025	-

RUSCON AIR COOLED CONDENSING UNITS (5 THRU 30 HP) - MODELS H, L, M, HE, LE, ME

ALL MODELS	FAN BLADE, 24" DIAM., 28° PITCH, CCW ROTATION, 1/2" HUB	213266000	\$492
H31, M31, L35, M51, L55, H51, M61, L65, M81, L85, H81, H82, H101, M101, L105, L155, M61, L65	MOTOR, PSC, 1/3 HP, 1075 RPM, 208-230/1 V. (CAPACITOR NOT INCLUDED)	205051004	\$594
	MOTOR, PSC, 3/4 HP, 1075 RPM, 460/1 V. (CAPACITOR NOT INCLUDED)	205051002	\$1,722
	CAPACITOR, 5MFD, 230/1 V. PSC MOTORS ONLY	202163004	\$70
H102, H151, H152, L205, L255, H202, I305	MOTOR, PSC, 3/4 HP, 1075 RPM, 208-230/1 V. (CAPACITOR NOT INCLUDED)	205051009	\$1,564
	MOTOR, PSC, 3/4 HP, 1075 RPM, 460/1 V. (CAPACITOR NOT INCLUDED)	205051002	\$1,722
	CAPACITOR, 7.5 MFD, 230/1 V. PSC MOTORS ONLY	202163006	\$77
ALL MODELS	MOTOR MOUNT / FAN GUARD, 24", COMBINATION (Part replaced with 212837000)	204340000	\$389
ALL MODELS	MOTOR MOUNT, WIRE, 24"	212837000	\$334

MISCELLANEOUS SPARE PARTS

DESCRIPTION	PART NUMBER	LIST PRICE
THERMOSTAT, AMBIENT FAN CYCLE	204464002	691
FAN BLADE, 11", 32° PITCH, CW ROTATION	NLA	-
3/4" BRASS DRAIN FITTING	NLA	-
SLINGER SHIELD - 1/2" SHAFT	102548002	NLA
SLINGER SHIELD - 5/8" SHAFT	102548001	NLA
CONTACTOR, 25 AMP, 3 POLE, 208-230/460	104461097	NLA
CONTACTOR, 30 AMP, 3 POLE, 208-230/460 (Part replaced with 08219963)	104461098	NLA
CONTACTOR, 32 AMP, 3 POLE, 208-230/460	08219963	161
CONTACTOR, 40 AMP, 3 POLE, 208-230/460 (Part replaced with 08219965)	104461099	NLA
CONTACTOR, 40 AMP, 3 POLE, 208-230/460	08219965	199
CONTACTOR, 50 AMP, 3 POLE, 208-230/460 (Part replaced with 08219967)	104461111	NLA
CONTACTOR, 50 AMP, 3 POLE, 208-230/460	08219967	471
CONTACTOR, 75 AMP, 3 POLE, 208-230/460 (Part replaced with 08220037)	104461115	NLA
CONTACTOR, 75 AMP, 3 POLE, 208-230/460	8220037	1178

NLA - NO LONGER AVAILABLE

HIGH SIERRA REPLACEMENT PARTS - LISTING BY PRODUCT MODEL NUMBER

LOW TEMP. MODELS*

HIGH SIERRA W/R-SERIES CONDENSING UNIT - MODELS RHH, RHS, RHD, RHO

COMP. TYPE	MODEL NUMBER	DESCRIPTION	PART NUMBER	LIST PRICE
HERMETIC	ALL RHH LOW TEMP. MODELS†	VALVE, REVERSING, 1/2 X 7/8 X 7/8	21012	\$944
		STRAINER, CONE, 1/2, 100M	123277001	\$43
		MOTOR, SHADED POLE, 1/20 HP, 1550 RPM, 230/1 (USE 08216071)	102540004	NLA
		MOTOR, SHADED POLE, 1/20 HP, 1550 RPM, 230/1	08216071	\$317
		FAN BLADE, 12" DIAM., 24° PITCH, CCW	119103001	\$119
		LOW CUT OUT CONTROL	204464232	\$477
		HIGH CUT OUT CONTROL	204464208	\$372
	THERMOSTAT, AMBIENT FAN CYCLE	204464002	\$691	
	RHH100L44	VALVE, TXV, 3/8 X 1/2 ODF, SWEAT	SBFSE-AA-Z	\$682
		FILTER, LIQUID, BI-FLO, 3/8SW	104471048	\$153
	RHH165L44	VALVE, TXV, 3/8 X 1/2 ODF, SWEAT	SBFSE-A-Z	\$682
	RHH215L44	VALVE, TXV, 3/8 X 1/2 SWEAT	SBFSE-B-Z	\$682
	RHH165L44, RHH215L44	FILTER, LIQUID, BI-FLO, 3/8SW	104471049	\$255
	RHH315L44	VALVE, TXV, 3/8 x 1/2 FL	SBFSE-C-Z	\$871
	FILTER, LIQUID, BI-FLO, 1/2 SW, VEN. PART # BFK 164S	104471046	\$259	
SEMI-HERMETIC	ALL RHS LOW TEMP. MODELS†	VALVE, REVERSING, 1/2 X 7/8 X 7/8	21012	\$944
		STRAINER, CONE, 1/2, 100M	123277001	\$43
		MOTOR, SHADED POLE, 1/20 HP, 1550 RPM, 230/1 (USE 08216071)	102540004	NLA
		MOTOR, SHADED POLE, 1/20 HP, 1550 RPM, 230/1	08216071	\$317
		FAN BLADE, 12" DIAM., 24° PITCH, CCW	119103001	\$119
		LOW CUT OUT CONTROL	204464232	\$477
		HIGH CUT OUT CONTROL	204464208	\$372
	THERMOSTAT, AMBIENT FAN CYCLE	204464002	\$691	
	RHS075L44	VALVE, TXV, 3/8 X 1/2 ODF, SWEAT	SBFSE-AA-Z	\$682
	RHS075L44, RHS100L44	FILTER, LIQUID, BI-FLO, 3/8SW	104471048	\$153
	RHS100L44, RHS150L44	VALVE, TXV, 3/8 X 1/2 ODF, SWEAT	SBFSE-A-Z	\$682
	RHS150L44, RHS200L44	FILTER, LIQUID, BI-FLO, 3/8SW	104471049	\$255
	RHS200L44, RHS250L44	VALVE, TXV, 3/8 X 1/2 SWEAT	SBFSE-B-Z	\$682
	RHS250L44, RHS300L44	FILTER, LIQUID, BI-FLO, 1/2 SW, VEN. PART # BFK 164S	104471046	\$259
RHS300L44	VALVE, TXV, 3/8 x 1/2 FL	SBFSE-C-Z	\$871	
DISCUS	ALL RHD LOW TEMP. MODELS†	VALVE, REVERSING, 5/8 X 1-1/8	16506	\$1,131
		STRAINER, CONE, 5/8, 40M	123277002	\$43
		FAN GUARD, WIRE, EPOXY COATED, 20" (INDOOR MODELS ONLY)	201006007	\$353
		FAN BLADE, 24" DIAM., 28° PITCH, CCW (R-SERIES ONLY)	213266000	\$492
		LOW CUT OUT CONTROL	204464232	\$477
		HIGH CUT OUT CONTROL	204464208	\$372
	THERMOSTAT, AMBIENT FAN CYCLE	204464002	\$691	
	RHD300L44	VALVE, TXV, 3/8 x 1/2 FL	SBFSE-C-Z	\$871
		FILTER, LIQUID, BI-FLO, 1/2 SW, VEN. PART # BFK 164S	104471046	\$259
	RHD400L44, RHD500L44	VALVE, TXV, 5/8 X 7/8ODF, SWEAT	EBSSE-6-Z	\$871
	FILTER, LIQUID, BI-FLO, 1/2 SW, VEN. PART # BFK 304S	104471047	\$349	
SCROLL	ALL RHO LOW TEMP. MODELS†	FAN GUARD, WIRE, EPOXY COATED, 20" (INDOOR MODELS ONLY)	201006007	\$353
		FAN BLADE, 24" DIAM., 28° PITCH, CCW (R-SERIES ONLY)	213266000	\$492
		LOW CUT OUT CONTROL	204464232	\$477
		HIGH CUT OUT CONTROL	204464208	\$372
		THERMOSTAT, AMBIENT FAN CYCLE	204464002	\$691
	RHO200L44 - RHO400L44	VALVE, REVERSING, 1/2 X 7/8 X 7/8	21012	\$944
		STRAINER, CONE, 1/2, 100M	123277001	\$43
	RHO500L44 - RHO600L44	VALVE, REVERSING, 5/8 X 1-1/8	16506	\$1,131
		STRAINER, CONE, 5/8, 40M	123277002	\$43
	RHO200L44	VALVE, TXV, 3/8 X 1/2 ODF, SWEAT	SBFSE-A-Z	\$682
		FILTER, LIQUID, BI-FLO, 3/8SW	104471049	\$255
	RHO250L44, RHO300L44	VALVE, TXV, 3/8 X 1/2 SWEAT	SBFSE-B-Z	\$682
	RHO250L44 - RHO301L44	FILTER, LIQUID, BI-FLO, 1/2 SW, VEN. PART # BFK 164S	104471046	\$259
	RHO301L44, RHO400L44	VALVE, TXV, 3/8 x 1/2 FL	SBFSE-C-Z	\$871
RHO400L44 - RHO600L44	FILTER, LIQUID, BI-FLO, 1/2 SW, VEN. PART # BFK 304S	104471047	\$349	
RHO500L44, RHO600L44	VALVE, TXV, 5/8 X 7/8ODF, SWEAT	EBSSE-6-Z	\$871	

*PARTS SELECTION MAY VARY BASED UPON SPECIFIC OPERATING CONDITIONS.

NLA - NO LONGER AVAILABLE

†All Low Temperature High Sierra Models with indicated Compressor type (Semi-Hermetic, Hermetic, Scroll or Discus)and Condensing unit.

HIGH SIERRA REPLACEMENT PARTS (CON'T)

LOW TEMP. MODELS*

HIGH SIERRA W/D-SERIES CONDENSING UNIT - MODELS DHD, DHO

COMP. TYPE	MODEL NUMBER	DESCRIPTION	PART NUMBER	LIST PRICE
D I S C U S	ALL DHD*L44 LOW TEMP. MODELS†	MOTOR, PSC, 1/3 HP, 1075 RPM, 208-230/1	205051004	\$594
		FAN BLADE, 24" DIAM., 28° PITCH, CCW	213266000	\$492
		HI-LO PRESSURE CONTROL	204464041	\$895
		THERMOSTAT, AMBIENT FAN CYCLE	204464002	\$691
	DHD5L44 - DHD9L44	VALVE, REVERSING, 7/8 X 1-3/8 X 1-3/8	21054	\$1,866
		STRAINER, CONE, 7/8, 40M	123277003	\$52
	DHD10L44 - DHD15L44	VALVE, REVERSING, 1-1/8 x 1-5/8 X 1-5/8	21000	\$2,310
		STRAINER, CONE, 1-1/8, 40M	123277004	\$58
	DHD5L44	VALVE, TXV, 5/8 X 7/8ODF, SWEAT	EBSSE-6-Z	\$871
	DHD6L44	VALVE, TXV, 5/8 X 7/8ODF, SWEAT	EBSSE-7 1/2 -Z	\$871
	DHD5L44, DHD6L44	FILTER, LIQUID, BI-FLO, 1/2 SW, VEN. PART # BFK 304S	104471047	\$349
	DHD8L44, DHD9L44	VALVE, TXV, 7/8 X 1-1/8ODF, SWEAT	EBSSE-10-Z	\$1,088
		FILTER, LIQUID, BI-FLO, 5/8 SW	104471066	\$361
	DHD10L44, DHD12L44	VALVE, TXV, 7/8 X 1-3/8ODF, SWEAT	EBSSE-13-Z	\$1,088
		FILTER, LIQUID, BI-FLO, 5/8 SW	104471066	\$361
	DHD15L44	VALVE, TXV, 7/8 X 1-3/8ODF, SWEAT	EBSSE-13-Z	\$1,088
FILTER, LIQUID, BI-FLO, 7/8 SW		104471193	\$372	
S C R O L L	ALL DHO LOW TEMP. MODELS†	MOTOR, PSC, 1/3 HP, 1075 RPM, 208-230/1	205051004	\$594
		FAN BLADE, 24" DIAM., 28° PITCH, CCW	213266000	\$492
		HI-LO PRESSURE CONTROL	204464041	\$895
		THERMOSTAT, AMBIENT FAN CYCLE	204464002	\$691
	DHO6L44	FILTER, LIQUID, BI-FLO, 5/8 SW	104471066	\$361
		VALVE, REVERSING, 5/8 X 1-1/8	16506	\$1,131
	DHO6L44, DHO8L44	STRAINER, CONE, 5/8, 40M	123277002	\$43
		VALVE, TXV, 5/8 X 7/8ODF, SWEAT	EBSSE-6-Z	\$871
	DHO8L44 - DHO13L44	VALVE, REVERSING, 7/8 X 1-3/8 X 1-3/8	21054	\$1,866
		STRAINER, CONE, 7/8, 40M	123277003	\$52
	DHO10L44, DHO13L44	VALVE, TXV, 7/8 X 1-1/8ODF, SWEAT	EBSSE-10-Z	\$1,088

HIGH SIERRA W/V-SERIES CONDENSING UNIT - MODEL VHD

COMP. TYPE	MODEL NUMBER	DESCRIPTION	PART NUMBER	LIST PRICE
D I S C U S	ALL VHD*L44 LOW TEMP. MODELS†	MOTOR, (NON-HEADER END), 1-1/2 HP, 1075 RPM, 208-230/460/60/3	110204000	\$2,505
		FAN BLADES, 30" DIAM., 24° PITCH, CW, 5/8" BORE (USE 08221151)	210385000	NLA
		FAN BLADES, 30" DIAM., 24° PITCH, CW, 5/8" BORE	08221151	\$783
		HI-LO PRESSURE CONTROL	204464041	\$895
	VHD15L44 - VHD44L44	THERMOSTAT, AMBIENT FAN CYCLE	204464002	\$691
		STRAINER, CONE, 1-3/8, 40M	123277005	\$62
	VHD54L44, VHD60L44	STRAINER, CONE	C/F	-
		VALVE, REVERSING, 1-3/8 X 2-1/8, FULL	21049	\$7,368
	VHD15L44, VHD22L44	VALVE, TXV, 1-1/8 X 1-3/8 SWEAT	OSE-21-Z	\$1,088
		FILTER SHELL, LIQUID, 7/8	104471021	\$871
		VALVE, REVERSING, 1-5/8 X 2-1/8 X 2-1/8	21055	\$8,696
	VHD27L44, VHD30L44	VALVE, TXV, 1-1/8 X 1-3/8 SWEAT	OSE-30-Z	\$1,088
		FILTER SHELL, LIQUID, 7/8	104471021	\$871
		VALVE, REVERSING, 1-5/8 X 2-1/8 X 2-1/8	21055	\$8,696
	VHD44L44	VALVE, TXV, 1-1/8 X 1-3/8 ODF, SWEAT	OSE-45-Z	\$1,088
		FILTER SHELL, LIQUID, 1-1/8	104471022	\$1,046
VALVE, REVERSING, 2-1/8 X 2-5/8 X 2-5/8		21056	\$12,402	
VHD54L44, VHD60L44	VALVE, TXV, 1-1/8 X 1-3/8 SWEAT	(2) OSE-30-Z	\$2,171	
	FILTER SHELL, LIQUID, 1-1/8	104471022	\$1,046	

*PARTS SELECTION MAY VARY BASED UPON SPECIFIC OPERATING CONDITIONS.

C/F = CONTACT FACTORY

†All Low Temperature High Sierra Models with indicated Compressor type (Semi-Hermetic, Hermetic, Scroll or Discus)and Condensing unit.

‡ V-Series filter is not Bi-Flow Design. Part number is for replaceable core filter (shell only). Core Part # 14471034 (may require more than one core).

HIGH SIERRA REPLACEMENT PARTS - LISTING BY PRODUCT MODEL NUMBER
MEDIUM TEMP.¹ MODELS*
HIGH SIERRA W/R-SERIES CONDENSING UNIT - MODELS RHH, RHS, RHD, RHO

COMP. TYPE	MODEL NUMBER	DESCRIPTION	PART NUMBER	LIST PRICE	
HERMETIC	ALL RHH*H22 MEDIUM TEMP. MODELS†	VALVE, REVERSING, 1/2 X 7/8 X 7/8	21012	\$944	
		STRAINER, CONE, 1/2, 100M	123277001	\$43	
		LOW CUT OUT CONTROL	204464232	\$477	
		HIGH CUT OUT CONTROL	204464208	\$372	
		THERMOSTAT, AMBIENT FAN CYCLE	204464002	\$691	
	R22	RHH075H22 - RHH301H22	MOTOR, SHADED POLE, 1/20 HP, 1550 RPM, 230/1 (USE 08216071)	102540004	NLA
			MOTOR, SHADED POLE, 1/20 HP, 1550 RPM, 230/1	08216071	\$317
			FAN BLADE, 12" DIAM., 24° PITCH, CCW	119103001	\$119
	RHH075H22	VALVE, TXV, 3/8 X 1/2 ODF, SWEAT	SBFVE-AA-C	\$681	
	RHH075H22, RHH100H22	FILTER, LIQUID, BI-FLO, 3/8SW	104471048	\$153	
	RHH100H22, RHH151H22	VALVE, TXV, 3/8 X 1/2 ODF, SWEAT	SBFVE-A-C	\$659	
	RHH151H22, RHH201H22	FILTER, LIQUID, BI-FLO, 3/8SW	104471049	\$255	
	RHH201H22, RHH251H22	VALVE, TXV, 3/8 X 1/2 ODF, SWEAT	SBFVE-B-C	\$659	
	RHH251H22, RHH301H22	FILTER, LIQUID, BI-FLO, 1/2 SW, VEN. PART # BFK 164S	104471046	\$259	
	RHH301H22	VALVE, TXV, 3/8 X 1/2 ODF, SWEAT	SBFVE-C-C	\$843	
	RHH401H22, RHH500H22	FILTER, LIQUID, BI-FLO, 1/2 SW, VEN. PART # BFK 304S	104471047	\$349	
		VALVE, TXV, 3/8 X 1/2 ODF, SWEAT	SBFVE-C-C	\$843	
		FAN GUARD, WIRE, EPOXY COATED, 20" (INDOOR MODELS ONLY)	201006007	\$353	
		FAN BLADE, 24" DIAM., 28° PITCH, CCW (R-SERIES ONLY)	213266000	\$492	
	ALL RHH*M44 MEDIUM TEMP. MODELS	LOW CUT OUT CONTROL	204464232	\$477	
		HIGH CUT OUT CONTROL	204464208	\$372	
		THERMOSTAT, AMBIENT FAN CYCLE	204464002	\$691	
	R404A	RHH050M44 - RHH300M44	VALVE, REVERSING, 1/2 X 7/8 X 7/8	21012	\$944
			STRAINER, CONE, 1/2, 100M	123277001	\$43
			MOTOR, SHADED POLE, 1/20 HP, 1550 RPM, 230/1 (USE 08216071)	102540004	NLA
			MOTOR, SHADED POLE, 1/20 HP, 1550 RPM, 230/1	08216071	\$317
			FAN BLADE, 12" DIAM., 24° PITCH, CCW	119103001	\$119
		RHH050M44, RHH075M44	VALVE, TXV, 3/8 X 1/2 ODF, SWEAT	SBFSE-A-C	\$682
			FILTER, LIQUID, BI-FLO, 3/8SW	104471048	\$153
		RHH101M44	FILTER, LIQUID, BI-FLO, 3/8SW	104471048	\$153
		RHH101M44, RHH150M44	VALVE, TXV, 3/8 X 1/2 ODF, SWEAT	SBFSE-B-C	\$682
		RHH150M44, RHH201M44	FILTER, LIQUID, BI-FLO, 3/8SW	104471049	\$255
	RHH201M44, RHH300M44	VALVE, TXV, 3/8 X 1/2 ODF, SWEAT	SBFSE-C-C	\$871	
	RHH300M44	FILTER, LIQUID, BI-FLO, 1/2 SW, VEN. PART # BFK 164S	104471046	\$259	
	RHH400M44	VALVE, REVERSING, 5/8 X 1-1/8	16506	\$1,131	
		STRAINER, CONE, 5/8, 40M	123277002	\$43	
		VALVE, TXV, 5/8 X 7/8 ODF, SWEAT	EBSSE-6-C	\$871	
		FILTER, LIQUID, BI-FLO, 1/2 SW, VEN. PART # BFK 304S	104471047	\$349	
		FAN GUARD, WIRE, EPOXY COATED, 20" (INDOOR MODELS ONLY)	201006007	\$353	
		FAN BLADE, 24" DIAM., 28° PITCH, CCW (R-SERIES ONLY)	213266000	\$492	
	R2 SEMI-HERMETIC	ALL RHH*H22 MEDIUM TEMP. MODELS †	LOW CUT OUT CONTROL	204464232	\$477
			HIGH CUT OUT CONTROL	204464208	\$372
THERMOSTAT, AMBIENT FAN CYCLE			204464002	\$691	
VALVE, REVERSING, 1/2 X 7/8 X 7/8			21012	\$944	
RHS050H22 - RHS300H22		STRAINER, CONE, 1/2, 100M	123277001	\$43	
		MOTOR, SHADED POLE, 1/20 HP, 1550 RPM, 230/1	102540004	\$317	
		FAN BLADE, 12" DIAM., 24° PITCH, CCW	119103001	\$119	
RHS050H22, RHS075H22		VALVE, TXV, 3/8 X 1/2 ODF, SWEAT	SBFVE-AA-C	\$681	
		FILTER, LIQUID, BI-FLO, 3/8SW	104471048	\$153	
RHS100H22, RHS150H22		VALVE, TXV, 3/8 X 1/2 ODF, SWEAT	SBFVE-A-C	\$659	
RHS100H22		FILTER, LIQUID, BI-FLO, 3/8SW	104471048	\$153	
RHS150H22, RHS200H22		FILTER, LIQUID, BI-FLO, 3/8SW	104471049	\$255	
RHS200H22		VALVE, TXV, 3/8 X 1/2 ODF, SWEAT	SBFVE-B-C	\$659	
RHS300H22		VALVE, TXV, 3/8 X 1/2 ODF, SWEAT	SBFVE-C-C	\$843	
		FILTER, LIQUID, BI-FLO, 1/2 SW, VEN. PART # BFK 164S	104471046	\$259	
RHS400H22		FAN GUARD, WIRE, EPOXY COATED, 20" (INDOOR MODELS ONLY)	201006007	\$353	
		FAN BLADE, 24" DIAM., 28° PITCH, CCW (R-SERIES ONLY)	213266000	\$492	
		VALVE, TXV, 3/8 X 1/2 ODF, SWEAT	SBFVE-C-C	\$843	
	FILTER, LIQUID, BI-FLO, 1/2 SW, VEN. PART # BFK 304S	104471047	\$349		

*PARTS SELECTION MAY VARY BASED UPON SPECIFIC OPERATING CONDITIONS.

NLA - NO LONGER AVAILABLE

†All Medium Temperature High Sierra Models with indicated Compressor type (Semi-Hermetic, Hermetic, Scroll or Discus)and Condensing unit.

¹ Medium Temperature models are only available for warm ambient locations.

HIGH SIERRA REPLACEMENT PARTS (CON'T)
MEDIUM TEMP.¹ MODELS*
HIGH SIERRA W/V-SERIES CONDENSING UNIT - MODEL VHD

COMP. TYPE	MODEL NUMBER	DESCRIPTION	PART NUMBER	LIST PRICE
R2	ALL VHD*H22 MEDIUM TEMP. MODELS †	HI-LO PRESSURE CONTROL	204464041	\$895
		THERMOSTAT, AMBIENT FAN CYCLE	204464002	\$691
		MOTOR, (NON-HEADER END), 1-1/2 HP, 1075 RPM, 208-230/460/60/3	110204000	\$2,505
		FAN BLADES, 30" DIAM., 24° PITCH, CW, 5/8" BORE (Replaces 210385000)	08221151	\$783
	VHD15H22	VALVE, REVERSING, 1-1/8 x 1-5/8 X 1-5/8	21000	\$2,310
		STRAINER, CONE, 1-1/8, 40M	123277004	\$58
	VHD15H22, VHD20H22	VALVE, TXV, 7/8 x 1-3/8ODF, SWEAT	EBSVE-20-C	\$1,197
		FILTER SHELL, LIQUID, 7/8 §	104471021	\$871
	VHD20H22 - VHD30H22	VALVE, REVERSING, 1-3/8 X 2-1/8, FULL	21049	\$7,368
		STRAINER, CONE, 1-3/8, 40M	123277005	\$62
	VHD25H22, VHD30H22	VALVE, TXV, 1-1/8 X 1-3/8 SWEAT	OVE-30-C	\$1,197
		FILTER SHELL, LIQUID, 7/8 §	104471021	\$871
	VHD25H22	FILTER SHELL, LIQUID, 7/8 §	104471021	\$871
	VHD30H22	FILTER SHELL, LIQUID, 1-1/8 §	104471022	\$1,046
	VHD35H22 - VHD50H22	VALVE, REVERSING, 1-5/8 X 2-1/8 X 2-1/8	21055	\$8,696
		STRAINER, CONE, 1-3/8, 40M	123277005	\$62
FILTER SHELL, LIQUID, 1-1/8 §		104471031	\$1,514	
VHD35H22, VHD40H22	VALVE, TXV, 1-1/8 X 1-3/8 SWEAT	OVE-40-C	\$1,197	
VHD50H22, VHD60H22‡	VALVE, TXV, 1-1/8 X 1-3/8 SWEAT	(2) OVE-30-C	\$2,390	
VHD60H22‡	FILTER SHELL, LIQUID, 1-3/8 §	104471032	\$1,881	
VHD60H22‡, VHD70H22‡	VALVE, REVERSING, 2-1/8 X 2-5/8 X 2-5/8	21056	\$12,402	
	VALVE, TXV, 1-1/8 X 1-3/8 SWEAT	(2) OVE-40-C	\$2,390	
VHD70H22‡, VHD80H22‡	FILTER SHELL, LIQUID, 1-5/8 §	104471033	\$2,218	
	VALVE, REVERSING, 2-5/8 X 3-1/8 X 3-1/8	21057	\$21,522	
ALL VHD*M44 MEDIUM TEMP. MODELS	HI-LO PRESSURE CONTROL	204464041	\$895	
	THERMOSTAT, AMBIENT FAN CYCLE	204464002	\$691	
	MOTOR, (NON-HEADER END), 1-1/2 HP, 1075 RPM, 208-230/460/60/3	110204000	\$2,505	
	FAN BLADES, 30" DIAM., 24° PITCH, CW, 5/8" BORE (Replaces 210385000)	08221151	\$783	
VHD15M44, VHD20M44	VALVE, REVERSING, 1-3/8 X 2-1/8, FULL	21049	\$7,368	
	STRAINER, CONE, 1-3/8, 40M	123277005	\$62	
	VALVE, TXV, 1-1/8 X 1-3/8 ODF, SWEAT	OSE-21-C	\$1,197	
	FILTER SHELL, LIQUID, 7/8 §	104471021	\$871	
VHD25M44 - VHD35M44	VALVE, REVERSING, 1-5/8 X 2-1/8 X 2-1/8	21055	\$8,696	
	STRAINER, CONE, 1-3/8, 40M	123277005	\$62	
	VALVE, TXV, 1-1/8 x 1-3/8 SWEAT	OSE-30-C	\$1,197	
VHD25M44	FILTER SHELL, LIQUID, 7/8 §	104471021	\$871	
VHD30M44	FILTER SHELL, LIQUID, 1-1/8 §	104471022	\$1,046	
VHD35M44 - VHD50M44§	FILTER SHELL, LIQUID, 1-1/8 §	104471031	\$1,514	
VHD40M44‡ - VHD60M44‡	VALVE, REVERSING, 2-1/8 X 2-5/8 X 2-5/8	21056	\$12,402	
VHD40M44‡	VALVE, TXV, 1-1/8 X 1-3/8 ODF, SWEAT	OSE-35-C	\$1,197	
VHD50M44‡, VHD60M44‡	VALVE, TXV, 1-1/8 X 1-3/8 ODF, SWEAT	OSE-45-C	\$1,197	
VHD60M44‡	FILTER SHELL, LIQUID, 1-3/8 §	104471032	\$1,881	
VHD70M44‡, VHD80M44‡	VALVE, REVERSING, 2-5/8 X 3-1/8 X 3-1/8	21057	\$21,522	
	FILTER SHELL, LIQUID, 1-5/8 §	104471033	\$2,218	
VHD70M44‡	VALVE, TXV, 1-1/8 x 1-3/8 SWEAT	(2) OSE-30-C	\$2,390	
VHD80M44‡	VALVE, TXV, 1-1/8 X 1-3/8 ODF, SWEAT	(2) OSE-35-C	\$2,390	

*PARTS SELECTION MAY VARY BASED UPON SPECIFIC OPERATING CONDITIONS.

C/F = CONTACT FACTORY

†All Medium Temperature High Sierra Models with indicated Compressor type (Semi-Hermetic, Hermetic, Scroll or Disc)and Condensing unit.

‡ Contact Factory for Reverse Valve Strainer

§ V-Series filter is not Bi-Flow Design. Part number is for replaceable core filter (shell only). Core Part # 14471034 (may require more than one core).

¹ Medium Temperature models are only available for warm ambient locations.

APEX REFRIGERATION SYSTEM, XN, XT

MODEL NUMBER	DESCRIPTION	PART NUMBER	LIST PRICE
XN026M THRU XN037M, XN018L	CONDENSER AND EVAP. MOTOR, PSC, 16W, 1550 RPM, 115V	107933001	\$595
	CAPACITOR FOR THIS MOTOR, 5µF, 440V	202163004	\$70
	EVAPORATOR MOTOR, 115V, 16W, 1550 RPM, SP	103104007	\$293
	EVAPORATOR MOTOR, 115V, 16W, 1550 RPM, ECM	107933006	\$1,034
XN050M, XN024L	CONDENSER AND EVAP. MOTOR, PSC, 1/20 HP, 1550 RPM, 115V	08216074	\$437
	CAPACITOR FOR THIS MOTOR, 3µF, 370V	202163010	\$69
	EVAPORATOR MOTOR, 115V, 1/20 HP, 1550 RPM, SP	08216072	\$317
	EVAPORATOR MOTOR, 115V, 50W, 1550 RPM, ECM	08216124	\$970
X*050M THRU X*134M, X*024L THRU X*068L	CONDENSER AND EVAPORATOR MOTOR, 208-230V, 1/20 HP, 1550 RPM, PSC	08216073	\$495
	CAPACITOR FOR THIS MOTOR, 2µF, 370V	202163009	\$77
	EVAPORATOR MOTOR, 208-230V, 1/20 HP, 1550 RPM, SP	08216071	\$317
	EVAPORATOR MOTOR, 208-230V, 50W, 1550 RPM, ECM	08216125	\$1,000
XN026M THRU XN037M, XN018L	CONDENSER MOTOR MOUNT	10243000	\$147
	EVAPORATOR MOTOR MOUNT	12003000	\$80
X*050M THRU X*134M, X*024L THRU X*068L	CONDENSER AND EVAPORATOR MOTOR MOUNT (FOR SP AND PSC MOTORS)	21062000	\$203
	CONDENSER AND EVAPORATOR MOTOR MOUNT LEG (FOR ECM MOTORS, 3 REQUIRED PER MOTOR)	08522938	\$64
XN026M THRU XN037M, XN018L	CONDENSER FAN, 10 INCH DIAM., 31" PITCH, CCW	204395018	\$80
	EVAPORATOR FAN, 8 INCH DIAM., 36" PITCH, CW	08221167	\$69
X*050M THRU X*134M, X*024L THRU X*068L	CONDENSER FAN, 12 INCH DIAM., 23" PITCH, CCW	08221169	\$114
	EVAPORATOR FAN, 10 INCH DIAM., 31" PITCH, CW (FOR SP AND PSC MOTORS)	08221168	\$75
	EVAPORATOR FAN, 10 INCH DIAM., 30" PITCH, CW (FOR ECM MOTORS)	08221174	\$75
ALL	HIGH PRESSURE CONTROL, 400 PSIG	08219424	\$146
XT050M THRU XT134M, XT024L THRU XT068L	CONDENSER MOTOR PRESSURE CONTROL	08219417	\$586
XT106M AND XT134M, XT051L AND 068L	CONDENSER MOTOR TEMPERATURE CONTROL	08219019	\$114
XN018L THRU X*068L	DEFROST HIGH LIMIT THERMOSTAT	103079003	\$189
XN050M AND XN024L	EVAPORATOR MOTOR RELAY, 115 VOLT COIL	08218979	\$77
X*050M THRU X*134M, X*024L THRU X*068L	EVAPORATOR MOTOR RELAY, 208-230 VOLT COIL	08218181	\$81
XN026M THRU XN037M, XN018L	COMPRESSOR CONTACTOR, 115 VOLT COIL	08218979	\$77
XN050M AND XN024L	COMPRESSOR CONTACTOR, 115 VOLT COIL	08219002	\$145
X*050M THRU X*134M, X*024L THRU X*068L	COMPRESSOR CONTACTOR, 208-230 VOLT COIL	08219018	\$157
ALL 115 VOLT FREEZERS	ELECTRONIC CONTROLLER, PROGRAMMED - LOW TEMP	08522796	\$980
ALL 208-230 VOLT FREEZERS	ELECTRONIC CONTROLLER, PROGRAMMED- LOW TEMP	08522797	\$980
ALL 115 VOLT COOLERS	ELECTRONIC CONTROLLER, PROGRAMMED - HIGH TEMP	08522798	\$980
ALL 208-230 VOLT COOLERS	ELECTRONIC CONTROLLER, PROGRAMMED - HIGH TEMP	08522799	\$980
ALL	ELECTRONIC CONTROLLER BOX AND DEFROST TEMPERATURE SENSOR	08219958	\$113
ALL	LATCHES FOR EVAPORATOR COVER	08326021	\$37
ALL	GASKET FOR TOP AND BOTTOM OF EVAPORATOR SECTION (ORDER/ FT)	08343051	\$29
XN026M THRU XN037M, XN018L	DEFROST HEATER, COIL, 400 WATTS, 22.5" LONG, 120V	08215137	\$403
XN050ME44A, XN024L	DEFROST HEATER, COIL, 375 WATTS, 26.5" LONG, 120V	08215144	\$370
X*050M THRU X*076M, X*024L THRU X*043L	DEFROST HEATER, COIL, 375 WATTS, 26.5" LONG, 240V	08215138	\$405
X*106M THRU X*134M, X*051L AND X*068L	DEFROST HEATER, COIL, 600 WATTS, 40.5" LONG, 240V	08215139	\$569
XN026M THRU XN037M, XN018L	DEFROST HEATER, DP, 400 WATTS, 19.5" LONG, 120V	08215140	\$372
XN050ME44A, XN024L	DEFROST HEATER, DP, 500 WATTS, 22.0" LONG, 120V	08215145	\$387
X*050M THRU X*076M, X*024L THRU X*043L	DEFROST HEATER, DP, 500 WATTS, 22.0" LONG, 240V	08215141	\$411
X*106M THRU X*134M, X*051L AND X*068L	DEFROST HEATER, DP, 600 WATTS, 35.0" LONG, 240V	08215142	\$492
XT050M THRU XT134M, XT024L THRU XT068L	DRAIN LINE HEATER	08215143	\$255
XT050M THRU XT134M, XT024L THRU XT068L	DRAIN LINE THERMOSTAT	103079003	\$189

** REQUIRES THE PURCHASE OF A NEW MOTOR MOUNT (21062000) TO FIT THE MOTOR

MOTOR CROSS-REFERENCE CHART

MOTOR HP	VOLT	PH.	RPM	MODEL APPLICATION	PART NUMBER	LIST PRICE	SHPG WT LBS
43 WATTS (INPUT) CW ROTATION	115V	1	3000	FT, MDF, MUF, MTW, SL, TT	102249005	\$250	2
	230 V	1	3000		102249007	\$250	2
4 WATTS	115V	1	1550	HI, TW, WA, WE	103104002	\$202	2
9 WATTS	115V	1	1550	FL, FT, HI, TW, WA, WE	103104004	\$246	2
	230V	1	1550	FL, FT, HI, TW, WA, WE	103104005	\$246	2
16 WATTS (ALL ANGLE)	115 V	1	1550	AL, CTA, CTE, FL, FT, SL, ASL, WE	103104007	\$293	4
	230 V	1	1550		103104008	\$293	3
16 WATTS PSC (OPTIONAL no cap.)	115 V	1	1550	AL, CTA, CTE, FL, SL, ASL, WE	107933001	\$595	4
	230 V	1	1550		107933002	NLA	—
1/20 HP SHADED POLE	115 V	1	1550	ALL TEMP ² , ALL TEMP ² B & MINICON 1/2 - 2 HP	102540003 (USE 08216072)	NLA	—
	115 V	1	1550		08216072	\$317	3
	230 V	1	1550		102540004* (USE 08216071)	NLA	—
	230 V	1	1550		08216071	\$317	3
	460 V	1	1550		102540005	\$472	3
1/20 HP PSC (OPTIONAL)	115 V	1	1550	ALL TEMP ² , ALL TEMP ² B	108178001 (USE 08216074)	NLA	—
	115 V	1	1550		08216074	\$437	4
	230 V	1	1550		108178002 (USE 08216073)	NLA	—
	230 V	1	1550		08216073	\$495	4
	230 V	1	1550	MINICON (ONLY)	108178002 (USE 08216073)	NLA	—
	230 V	1	1550		08216073	\$495	4
1/20 HP SHADED POLE	115 V	1	1550	HI, TW, WA, WE	102540001	\$317	3
	230 V	1	1550		102540002	\$344	3
1/15 HP SHADED POLE	115 V	1	1050	INTER TEMP Prior to April, 1994	NLA	-	—
	460 V	1	1050		NLA	-	—
1/12HP SHADED POLE	115 / 230 V	1	1050	HI, TW, WA, RAC	08216119	\$889	8
1/8 HP PSC	115 V	1	1075	INTER TEMP after March, 1996 (between 4/94 & 3/96 see page 9)	115248001	\$1,182	11
	230 V	1	1075		115248002	\$1,182	11
	460 V	1	1075		115248003	\$1,255	11
1/6 HP SHADED POLE	115/230V	1	1050	SU, HI, TW, RAC, RE, RC, RS, MINICON 3 HP	102542007	-	—
					08216025	-	—
1/3 HP PSC	115 V	1	1075	SU Hi-Cap, UA, ASU, RC, REC, MINICON 4-6 HP	205051005	\$1,142	12
	230 V	1	1075		205051004	\$594	12
	460 V	1	1075		205051006	\$1,121	12
1/3 HP PSC LO-GREASE	115 V	1	1075	INTER-TEMP, ULTRA-TEMP	205051020	\$1,284	12
	230 V	1	1075		205051019	\$1,418	12
	460 V	1	1075		205051021	\$1,564	12
1/4HP (#130)	230 V	3	1140	SU, UA	NLA	-	—
	460 V	3	1140		NLA	-	—
1/3 HP	230/460 V	3	550	VRQ	119226000	\$1,933	13
3/4HP TEAO	230/460 V	3	1140	TD, CAC, VAC 5-19,	NLA	-	—
3/4HP PSC	230 V	1	1075	CAC, VAC 5-19, TD, RC, REC, DE, DS	205051009	\$1,564	18
	460 V	1	1075		205051002	\$1,722	17
3/4HP PSC	230 V	1	1075	CAC VARI SPEED	205051015	\$1,912	20
	460 V	1	1075		205051016	\$2,070	20
3/4HP PSC	208-230 V	1	1625	UT, ASU, AUT	205051007	\$1,602	18
	460 V	1	1625		205051008	\$1,724	17
3/4HP	230/460 V	3	1725	UT, ASU, AUT	123123000	\$1,730	18
3/4HP LO-GREASE	230/460 V	3	1725	UT, ASU, AUT	125101000	\$3,130	18
3/4HP PSC LO-GREASE	208-230 V	1	1075	UT, UA	118187000	\$1,976	18
	460 V	1	1075		118186000	\$2,258	17
1 HP	230/460 V	3	850	VEQ	114105000	\$3,489	24
1-1/2 HP	208-230/460 V	3	1140	VAC 22-144, CAC 56-72	110204000	\$2,505	37

* Replacement for All- Temp models ONLY, see note below for MiniCon models
 NLA - NO LONGER AVAILABLE



PRINCIPAL TERMS AND CONDITIONS OF SALE

- 1. Applicable Law and Terms of Sale:** All orders shall be subject to the following terms and conditions notwithstanding any additional or contrary printed terms and conditions of Buyer. Such additional or contrary terms shall not bind Seller unless accepted in writing even though such terms do not materially alter the terms hereof. No oral statements, warranties, stipulations, representations or terms shall have any binding effect or be any part of the contract whatsoever.
- 2. Orders:** All orders must be in writing and will be binding when our order acknowledgment is mailed. Orders are accepted subject to strikes, fires, accidents, and other causes beyond our reasonable control. Acceptance of your order is conditioned upon an agreement to hold us harmless by reason of delivery delays.
- 3. Prices:** Prices are subject to change without notice, and all quotations, unless otherwise specified, are binding only for immediate acceptance. Prices are based on material made to Seller's standard tolerances, unless otherwise specified.
- 4. Freight:** All products are shipped FOB Point of Shipment with full freight allowed on single orders with a net price value of \$10,000.00 or more, except surface coils and parts, within the continental USA (excluding Alaska and Hawaii). Routing and selection of carrier will be made by Seller. For special routing requests, Buyer will bear all additional costs for such routing. Equipment is shipped at Buyer's risk. Buyer should examine equipment before signing transportation receipt. If equipment is received damaged or if quantity received does not match freight bill, the Buyer should require agent to so indicate on freight bill and immediately file a damage/missing claim. Our liability ceases upon delivery of equipment in good order to the freight carrier.
- 5. Taxes:** Any sales, use, excise, or similar tax payable by Seller which is or may be imposed by any taxing authority upon manufacture, sale or delivery of goods covered by any order or any increase in rate of any such tax now in force, shall be added to the sales price; if not collected at the time of payment of sales price, Buyer will hold Seller harmless.
- 6. Limited Warranty:** Seller warrants against defect in materials and workmanship in products which it manufactures for (1) year from date of installation or up to (18) eighteen months from the date of shipment, whichever event occurs first, when properly installed and operated under normal use. This guarantee does not include any labor or other charges made outside of the Seller's factory for replacement or repair of defective parts unless specifically stated in the body of the Seller's invoice. On parts not manufactured by Seller, such as motors, controls, valves and compressors we extend to the Buyer the same warranties made to us by the manufacturer. Seller's only liability under this warranty or otherwise shall be the repair or replacement (at Seller's option) of non-conforming goods or parts. Seller assumes no liability for incidental or consequential damages such as injury to person or property, or lost profits.
- 7. THIS GUARANTEE SUPERSEDES AND IS IN LIEU OF ANY AND ALL OTHER WARRANTIES BY LAW OR CUSTOM, EITHER EXPRESSED OR IMPLIED INCLUDING, BUT NOT LIMITED BY THIS ENUMERATION, ANY GUARANTEE AS TO QUALITY OR FITNESS FOR ANY PARTICULAR PURPOSE, EXCEPT AS SET FORTH ABOVE. NO PERSON, AGENT, OR DEALER IS AUTHORIZED TO GIVE ANY WARRANTIES ON BEHALF OF SELLER NOR TO ASSUME FOR SELLER ANY OTHER LIABILITY IN CONNECTION WITH ANY OF THE SELLER'S PRODUCTS.**
- 8. Delivery:** Seller shall not be liable for any delays in or failure of delivery due to acts of God or public authority, labor disputes, accidents, fires, floods, extreme weather conditions, failure of and delays by carriers, shortages of material, delays of a supplier, and any other cause beyond Seller's control. In no event shall Seller be liable for consequential or special damages arising out of a delay in or failure of delivery. Failure to meet estimated ship dates will not be considered sufficient cause of cancellation of orders.
- 9. Cancellations and Returned Goods:** Permission to return any part or product must be obtained from Seller and may be subject to a restocking charge. Credits for new material accepted for return will be at the original sales price or current market price, whichever is lower, less handling and restocking charges. Buyer must prepay all transportation charges. Any costs for putting material in condition for resale will be charged to the Buyer. Shipment of material returned without factory authorization or not properly tagged with a Return Material Authorization Number or not freight prepaid cannot be received by Seller. Obsolete products or material made to special order are not returnable.
- 10. Catalog Materials and Drawings:** Seller is not responsible for typographical errors or other errors of omission in Seller's catalogs or drawings.
- 11. Late Charge Provision:** Buyer agrees to pay a late charge of 1-1/2% per month (18% per year) for any invoice or bill not paid within (30) thirty days of the date of the billing invoice.
- 12. Choices of law, Disputes:** This agreement and the performance of the parties hereunder shall be construed in accordance with and governed by the laws of the State of Georgia and shall be deemed made in the state. Buyer irrevocably consents to the exclusive jurisdiction of the courts of Fulton County, on all matters arising out of or relating to this sale and Buyer further irrevocably consents to service of process by certified mail, return receipt requested, at Buyer's address set forth in the order acknowledgement.

The above terms and conditions apply to all orders placed with the Seller. Buyer acknowledges having read and understood these terms and conditions and agrees to abide by them upon placement of any order with the Seller. In the event it becomes necessary to refer the account to a collection agency or to institute legal action to obtain payment of the account, Buyer agrees to pay all reasonable attorney fees and court costs incurred by such action.

