

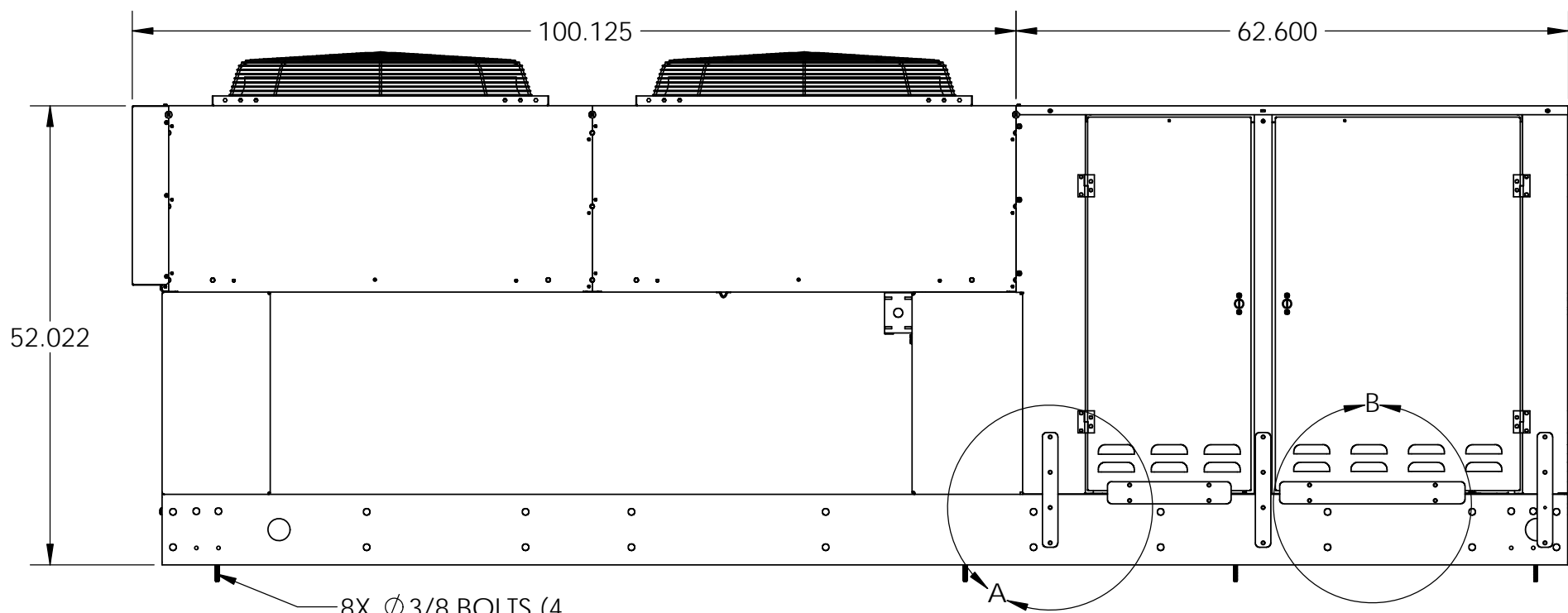
4

3

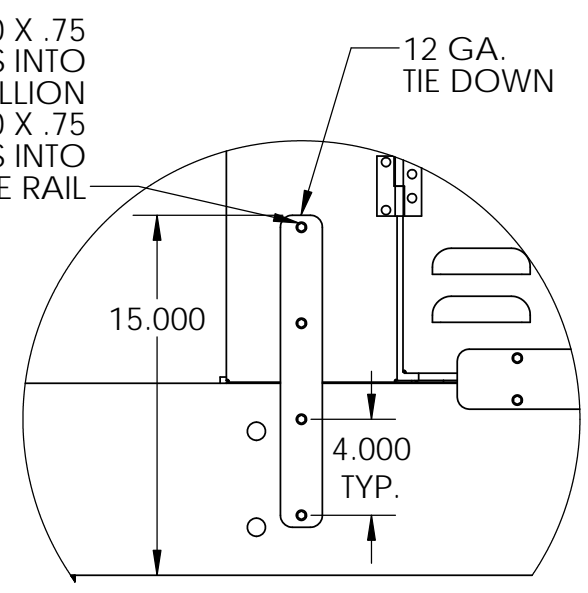
2

1

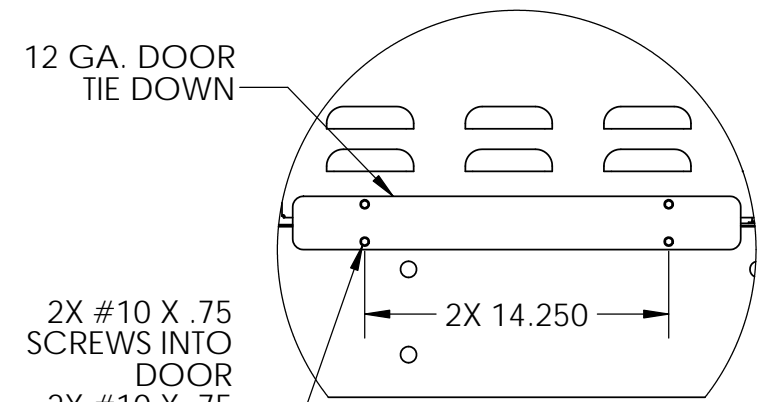
REVISIONS			
REV.	DESCRIPTION	DATE	BY



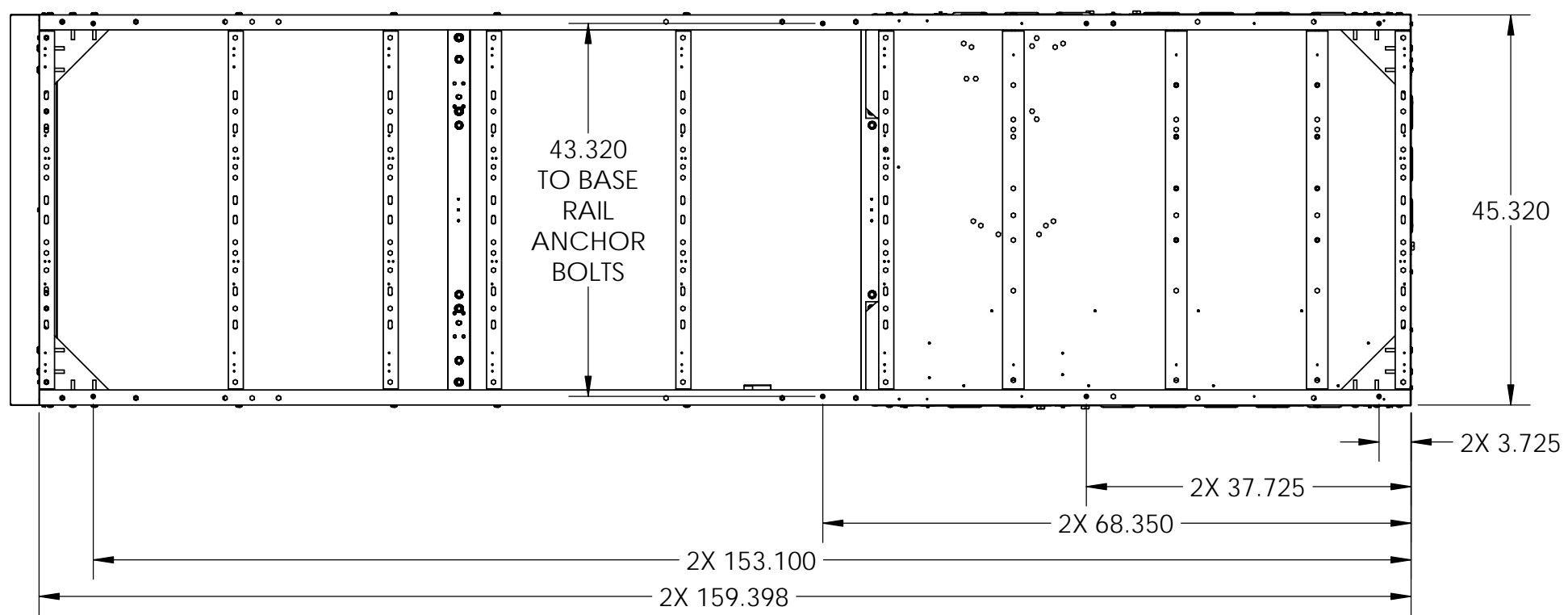
8X  $\phi$  3/8 BOLTS (4 PER RAIL) IN BASE RAIL ANCHORED TO SUBSTRATE OR STRUCTURAL FRAME



DETAIL A  
TIE DOWNS (6 PLACES)  
SCALE 1 : 8



DETAIL B  
DOOR TIE DOWNS (5 PLACES)  
SCALE 1 : 9



THIS DOCUMENT CONTAINS PROPRIETARY INFORMATION, AND IS NOT TO BE REPRODUCED OR DISCLOSED WITHOUT PERMISSION FROM HTPG AND IS NOT TO BE USED IN ANY MANNER DETRIMENTAL TO THE INTEREST OF HTPG.



DRAWN	DATE	ENG.	DATE
MATERIAL		INNER BEND RADIUS	
TITLE WIND LOAD AND TIE DOWN		TOLERANCE DATA: SHEET METAL: HOLE DIA. $\pm$ .005 FORMED DIM. $\pm$ .06 CUT SIZE $\pm$ .03 ANGLES $\pm$ 3°	
PART NO. QV_1X2		SCALE 1:48	SIZE B
		SHEET 1 OF 3	REV

4

3

2

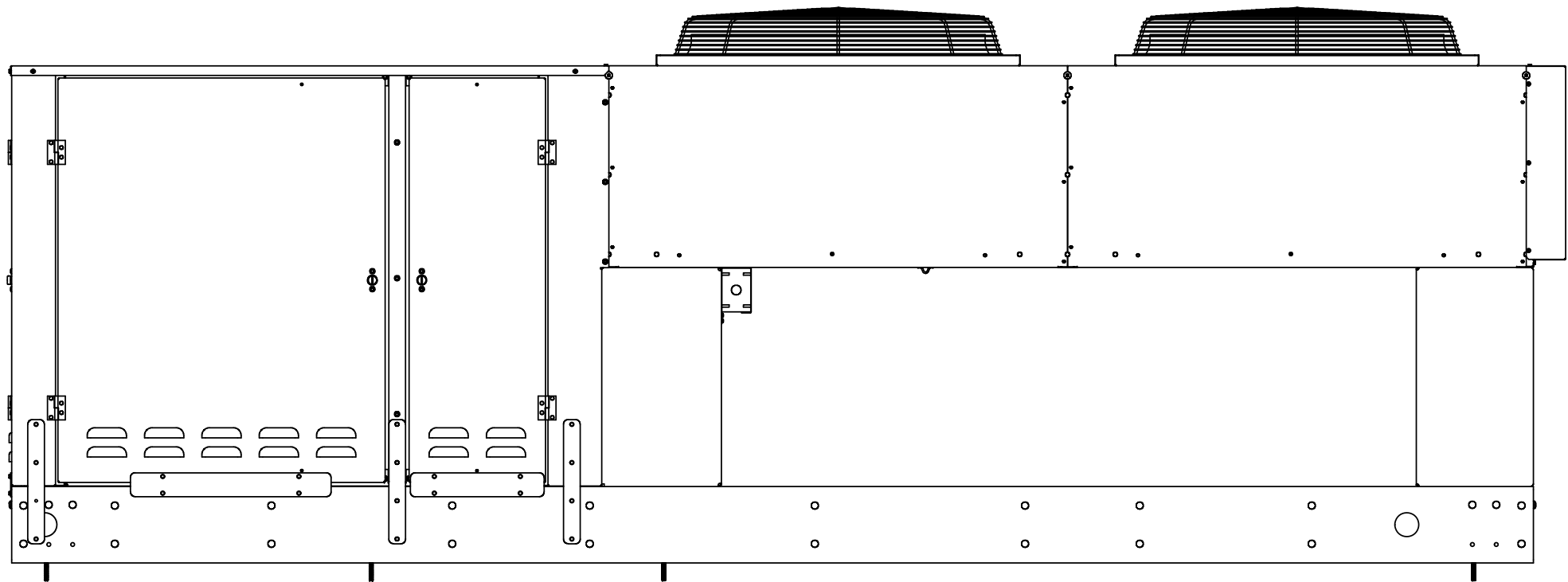
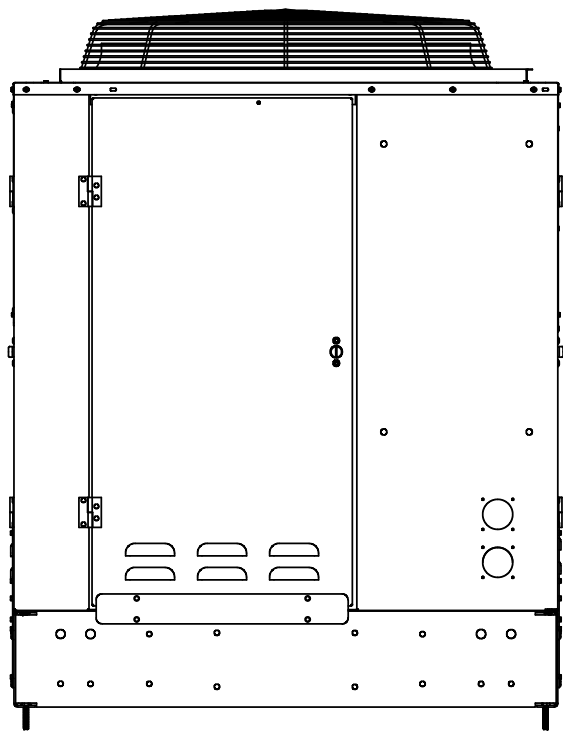
1

4

3

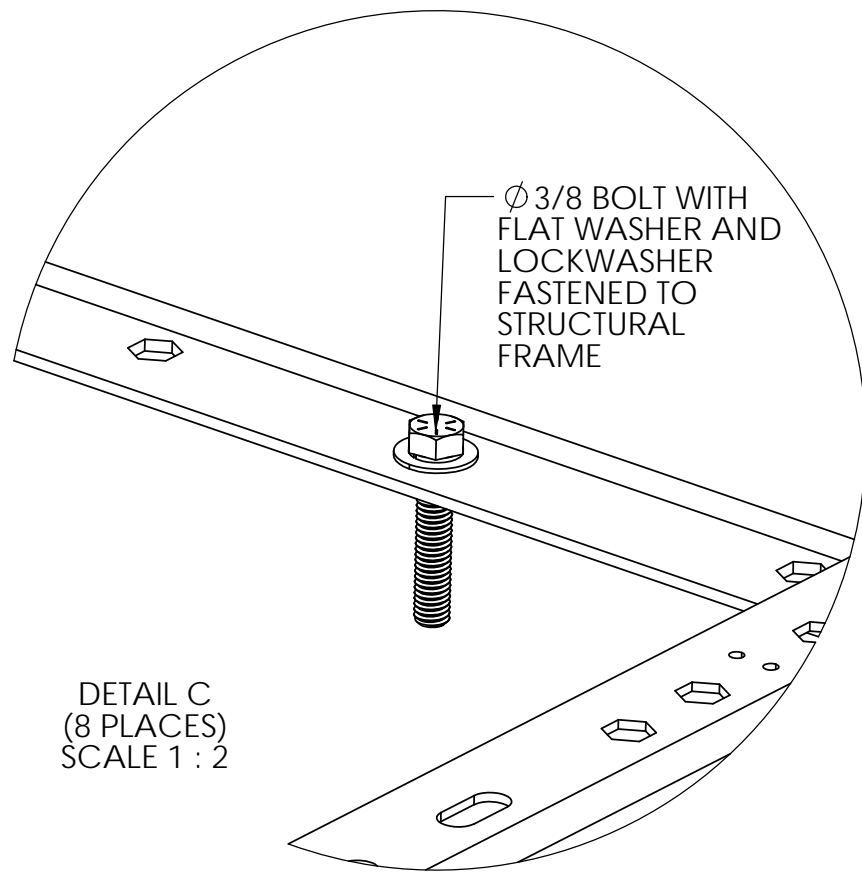
2

1

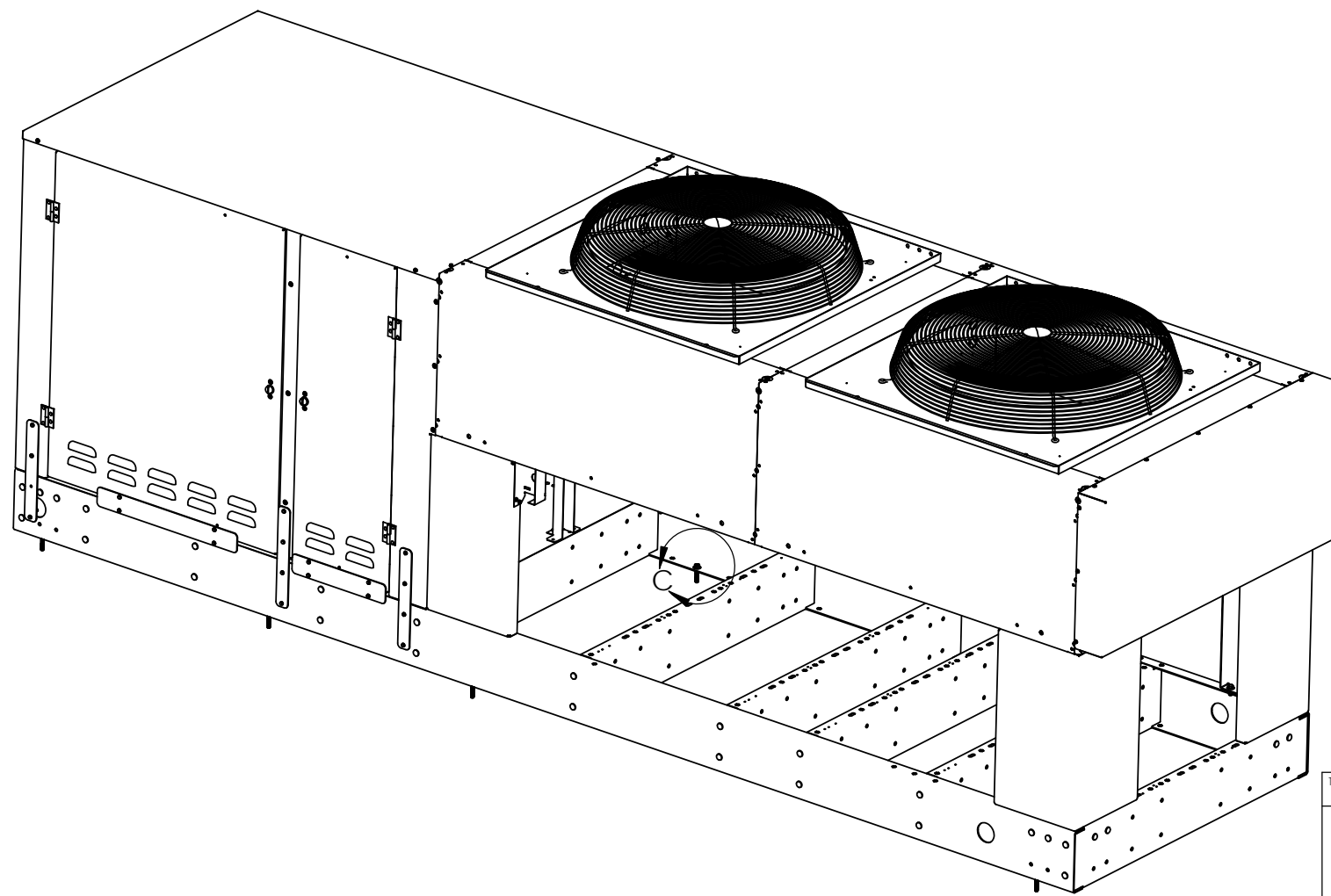


B

B



DETAIL C  
(8 PLACES)  
SCALE 1 : 2



A

A

4

3

2

1

THIS DOCUMENT CONTAINS PROPRIETARY INFORMATION, AND IS NOT TO BE REPRODUCED OR DISCLOSED WITHOUT PERMISSION FROM HTPG AND IS NOT TO BE USED IN ANY MANNER DETRIMENTAL TO THE INTEREST OF HTPG.



PART NO.	SCALE	SIZE	SHEET	REV
QV_1X2	1:8	B	2 OF 3	

4

3

2

1

B

B

The units identified on these sheets have been analyzed and are compliant with the latest currently adopted state building codes (including but not limited to the 6th Edition Florida Building Code), International Building Codes and the American Society of Civil Engineers Minimum Design Loads for Buildings and Other Structures (ASCE/SEI 7-16). The analysis considered an Exposure Category C and a Building Risk Category II. The analysis determined the unit restraint and unit panel integrity of the Rheem units installed according to Rheem recommended approach conform to the high wind anchoring and integrity requirements for buildings up to 60 feet in height exposed to a 186 mile per hour 3-second wind gust.

NOTE: HTPG only assumes responsibility for the integrity of the equipment itself and the integrity of the anchoring of the equipment to the mounting surface.

A

A

THIS DOCUMENT CONTAINS PROPRIETARY INFORMATION, AND IS NOT TO BE REPRODUCED OR DISCLOSED WITHOUT PERMISSION FROM HTPG AND IS NOT TO BE USED IN ANY MANNER DETRIMENTAL TO THE INTEREST OF HTPG.



PART NO.	SCALE	SIZE	SHEET	REV
QV_1X2	1:8	B	3 OF 3	

4

3

2

1