



# Storage Tank with Floating Coil Heat Exchanger

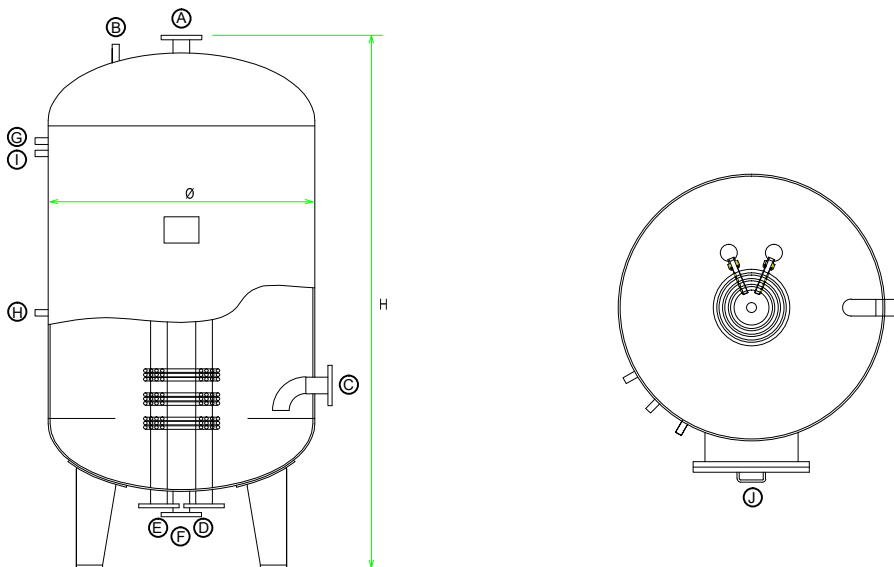
## STANDARD FEATURES

- SUS304 / SUS316L / SUS444 inner tank material. Standard max. working 0.6MPa
- Floating copper coil heat exchanger. Standard max. coil working pressure 0.6MPa.
- High heat transfer coefficient.
- Flanged manhole.
- Flanged water connections.
- Lifting lugs.
- Support Legs (SUS304)
- Drain
- Pressure relief valve

## Vertical Tanks

Inner Diameter Ø mm	Tank Capacity m <sup>3</sup>	Design Pressure		Width W mm	Height H mm	Dry Weight kg	HEX Area m <sup>2</sup>	
		HEX Working Pressure Mpa	Tank Working Pressure Mpa					
1200	1.5	0.6	0.6	1200	1966	962	5.8	
			1.0	1200	1966	1177	8.3	
	2.0		0.6	1200	2316	1120	6.64	
			1.0	1200	2316	1298	9.96	
	3.0		0.6	1200	3466	1299	8.3	
			1.0	1200	3466	1500	12.45	
1600	4.0		1.0	0.6	1600	2966	1596	8.3
				1.0	1600	2966	2010	11.62
	5.0		1.2	0.6	1600	3466	1807	9.96
				1.0	1600	3466	2227	15.77
1800	6.0		1.6	0.6	1800	3500	2229	12.5
				1.0	1800	3500	2828	18.26
	8.0	0.6		1800	3700	2669	14.4	
		1.0		1800	3700	3404	20.75	
2000	10.0	0.6	2000	4050	3427	18.3		
		1.0	2000	4050	3920	26		

Note: The technical specification of the tank is not fixed. It is customizable according to the customers' requirement.

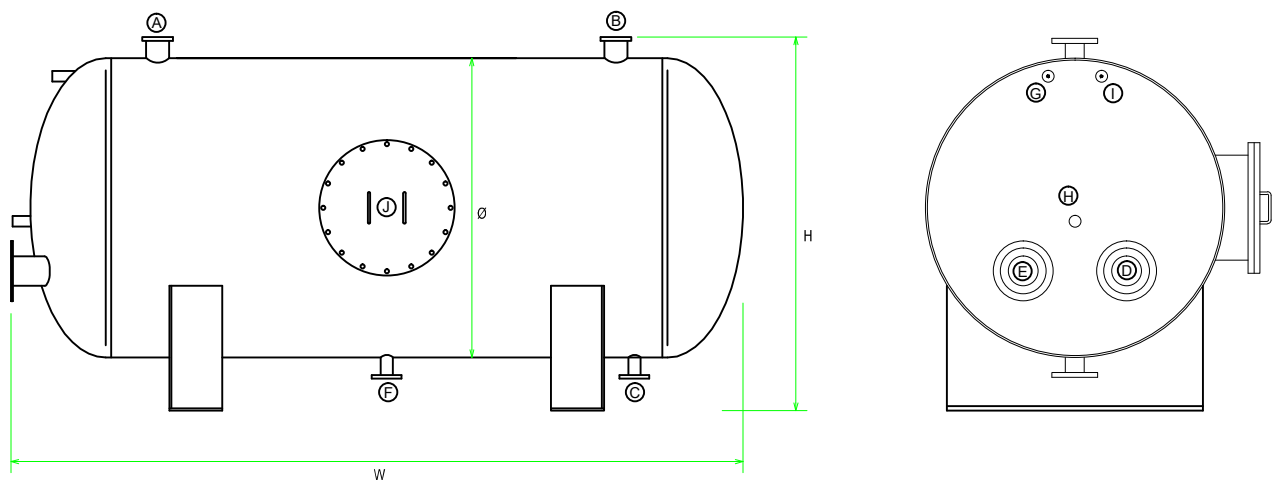


A. Hot Water Outlet	D. Heat Source (Out)	G. Thermometer	J. Manhole
B. Pressure Relief Valve	E. Heat Source (In)	H. Temperature Sensor	
C. Cold Water Inlet	F. Drain	I. Manometer	

# Horizontal Tanks

Inner Diameter Ø mm	Tank Capacity m <sup>3</sup>	Design Pressure		Width W mm	Height H mm	Dry Weight kg	HEX Area m <sup>2</sup>
		HEX Working Pressure Mpa	Tank Working Pressure Mpa				
1200	1.5	0.6	0.6	1466	1766	1032	4.15
			1.0	1466	1766	1247	6.64
	2.0		0.6	1816	1766	1190	4.98
			1.0	1816	1766	1369	8.3
	3.0		0.6	2966	1766	1369	5.81
			1.0	2966	1766	1574	9.96
1600	4.0	1.0	0.6	2466	2166	1696	6.64
			1.0	2466	2166	2105	9.96
	5.0	1.2	0.6	2966	2166	1897	8.3
			1.0	2966	2166	2338	11.62
1800	6.0	1.6	0.6	3000	2370	2319	9.96
			1.0	3000	2370	2938	13.28
	8.0		0.6	3700	2370	2780	11.7
2000	10.0	1.6	1.0	3700	2370	3522	16.6
			0.6	3550	2570	3540	13.3
			1.0	3550	2570	4014	20.75

Note: The technical specification of the tank is not fixed. It is customizable according to the customers' requirement.



A. Hot Water Outlet	D. Heat Source (Out)	G. Thermometer	J. Manhole
B. Pressure Relief Valve	E. Heat Source (In)	H. Temperature Sensor	
C. Cold Water Inlet	F. Drain	I. Manometer	

## OPTIONS

- Maximum working pressure - up to 4.0 MPa

**NOMENCLATURE:** (Please indicate clearly when placing order)

## **DFHRV - 1600 - 5.0 - 0.6 - 0.6 - 304 (Vertical)**

DFHRV - Non-Vented Floating Coil Tank	Outer Diameter (mm)	Capacity (m <sup>3</sup> )	Tank Max. Working Pressure (MPa)	HEX Max. Working Pressure (MPa)	Material: 304: SUS304 316: SUS316L 444: SUS444	Type: Vertical Horizontal
---------------------------------------	---------------------	----------------------------	----------------------------------	---------------------------------	---	---------------------------------

## Recommended Specifications:

The **Calorifier System** shall be a THERMATRAC Model no. \_\_\_\_\_ with copper floating coil heat exchanger. The Calorifier shall be constructed of a (vertical) (horizontal) storage tank. The storage tank shall be \_\_\_\_\_" diameter x \_\_\_\_\_" (length) (height) with a \_\_\_\_\_ litres capacity. The interior of the storage tank shall be SUS316L. The storage tank shall be constructed in accordance with the ASME Boiler and Pressure Vessel Code requirements. The storage tank shall have a 0.6 or 1.0 MPa (optional 1.6 MPa) working pressure and be supplied with an ASME temperature and pressure relief valve. The storage tank shall be furnished with a factory installed heavy steel jacket finished with a baked acrylic enamel finish. Insulation shall be 50mm thick, high density polyurethane foam for optimum heat retention jacketed with stainless steel. The tank shall be supplied with a drain valve and lifting lugs.

Optional - INCOLOY Heating Element can be added into the tank.



Rheem Manufacturing Company (Singapore) Pte Ltd  
 8 Pandan Crescent UE Tech Park #02-02 Singapore 128464  
 Tel : (65) 6872 1161  
 E-mail : rheem@rheemmfg.com.sg  
 Website: www.rheemmfg.com.sg

"In keeping with its policy of continuous progress and product improvement, Rheem reserves the right to make changes without notice."