

Hot Water Storage Tanks (Open Type)

3000 TO 16000 LITRES Nominal Tank Capacity
For larger tanks contact factory

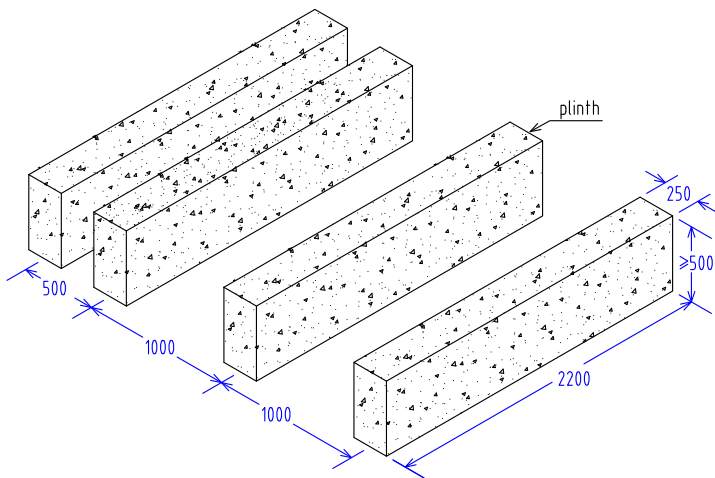
Construction:

- Modular pressed stainless steel panel design. Panel dimension: 1000mm x 1000mm or 1000mm x 500mm.
- Choice of tank material: SS304 or SS316L
- Thickness of modular panel varies from 1.2mm to 2.0mm to enhance tank rigidity and support.
- G.I welded channel base support for tank.
- Modular panel are factory argon welded and passivated to minimise corrosion.
- Standard components include: water connections, vent hole, overflow connection, drain connection, inspection manhole and safety ladder.
- Insulation includes closed cell flexible foam blanket for optimum heat retention jacketed with SS201.
- Actual stored volume of water is approximatedly 90% tank dimension.

Options:

- Solid state level sensors and pump controls
- Immersion heating elements for electrical backup
- Wooden crating for export

Nominal Capacity (Litres)	Actual Capacity (Litres)	Overall Dimension BxWxH (mm)	Dry Weight (kg)
3000	2700	1120x1620x2160	322
4000	3600	1120x2120x2160	402
6000	5400	1620x2120x2160	520
8000	7200	2120x2120x2160	632
10000	9000	2620x2120x2160	748
12000	10800	3120x2120x2160	865
16000	14400	4120x2120x2160	1095



Plinth dimensions (mm)
By others

